



Chipsmall Limited consists of a professional team with an average of over 10 year of expertise in the distribution of electronic components. Based in Hongkong, we have already established firm and mutual-benefit business relationships with customers from,Europe,America and south Asia,supplying obsolete and hard-to-find components to meet their specific needs.

With the principle of "Quality Parts,Customers Priority,Honest Operation,and Considerate Service",our business mainly focus on the distribution of electronic components. Line cards we deal with include Microchip,ALPS,ROHM,Xilinx,Pulse,ON,Everlight and Freescale. Main products comprise IC,Modules,Potentiometer,IC Socket,Relay,Connector.Our parts cover such applications as commercial,industrial, and automotives areas.

We are looking forward to setting up business relationship with you and hope to provide you with the best service and solution. Let us make a better world for our industry!



Contact us

Tel: +86-755-8981 8866 Fax: +86-755-8427 6832

Email & Skype: info@chipsmall.com Web: www.chipsmall.com

Address: A1208, Overseas Decoration Building, #122 Zhenhua RD., Futian, Shenzhen, China



6

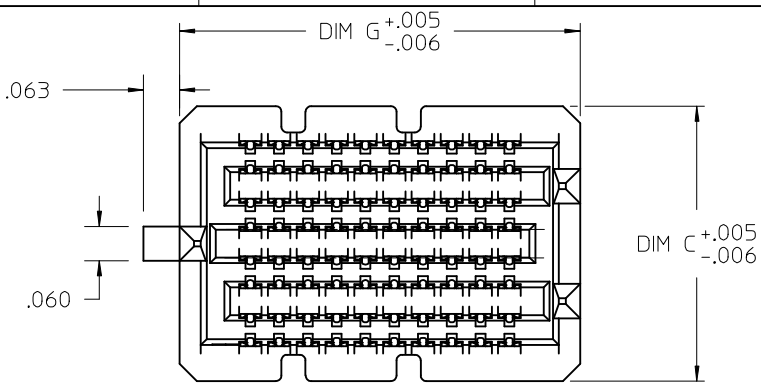
5

4

3

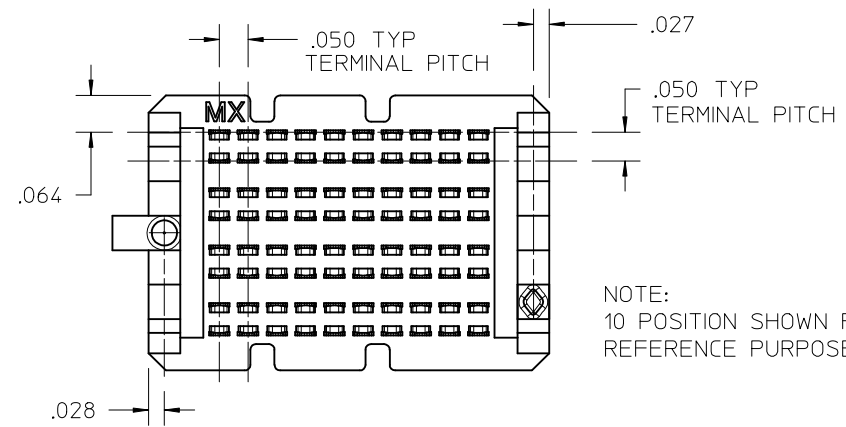
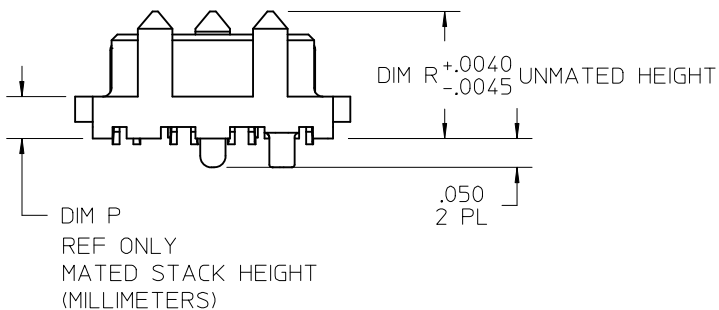
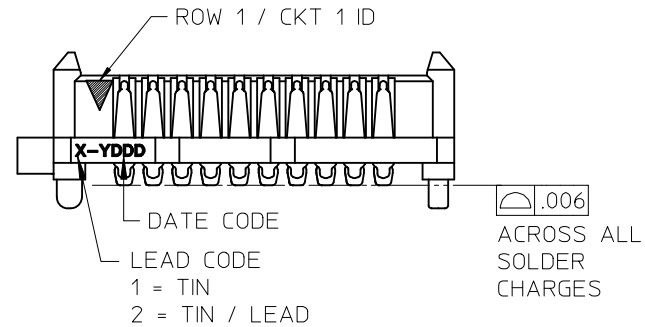
2

1

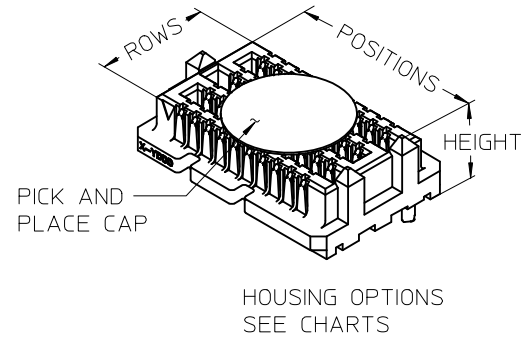


NOTES:

- MATERIAL: HOUSING: LCP, UL94V-0, BLACK
CONTACTS: COPPER ALLOY
SOLDER CHARGE: TIN, 95.5/ Ag 3.8/ Cu 0.7
- FINISH: SELECT GOLD IN CONTACT AREA: 30 MICROINCHES MINIMUM
SELECT GOLD FLASH IN TAIL, 7 MICROINCHES MINIMUM OVER NICKEL
- PRODUCT SPECIFICATION: PS-45970-001
- PACKAGING SPECIFICATION: TAPE AND REEL PACK. REFERENCE RPK-45971-009
- MATES WITH SEARAY RECEPTACLE ASSY 45971
- APPLICATION SPECIFICATION: AS-45970-001
- COSMETIC SPECIFICATION: PS-45499-002 CLASS B
- PART STATUS: CONTACT MOLEX



NO OF ROWS	8
POSITIONS	40
DIM C	.478
DIM E	.175
DIM G	2.196
DIM P	2.0 MM
DIM R	.221



NOTE: 10 POSITION SHOWN FOR REFERENCE PURPOSES ONLY.

REV. NOTE 4 TO REF. RPK-45970-009	QUALITY SYMBOLS
EC NO: UCP2015-3314	$\nabla \text{E} = 0$
DRWN: SVANG01 2015/08/12	$\nabla \text{E} = 0$
CHKD: BBARKER 2015/08/12	$\nabla \text{E} = 0$
APPR: SMILLER 2015/08/14	
DESCRIPTION	
REV B	

GENERAL TOLERANCES (UNLESS SPECIFIED)		
	mm	
	INCH	
4 PLACES	\pm ---	\pm ---
3 PLACES	\pm ---	\pm .010
2 PLACES	\pm ---	\pm .015
1 PLACE	\pm ---	\pm ---
0 PLACE	\pm	\pm
ANGULAR \pm ---°		
DRAFT WHERE APPLICABLE MUST REMAIN WITHIN DIMENSIONS		

DIMENSION STYLE INCH ONLY	
DRAWN BY	DATE
RWHIPPLE	2014/04/18
CHECKED BY	DATE
BBARKER	2014/04/18
APPROVED BY	DATE
SMILLER	2014/05/22
MATERIAL NO.	45970-4130
SIZE	A

SCALE 3:1	DESIGN UNITS INCH	THIRD ANGLE PROJECTION
TITLE SEARAY PLUG ASSEMBLY .050 CENTERS		
molex		
DOCUMENT NO. RSD-45970-4130	SHEET NO. 1 OF 2	
THIS DRAWING CONTAINS INFORMATION THAT IS PROPRIETARY TO MOLEX INCORPORATED AND SHOULD NOT BE USED WITHOUT WRITTEN PERMISSION		

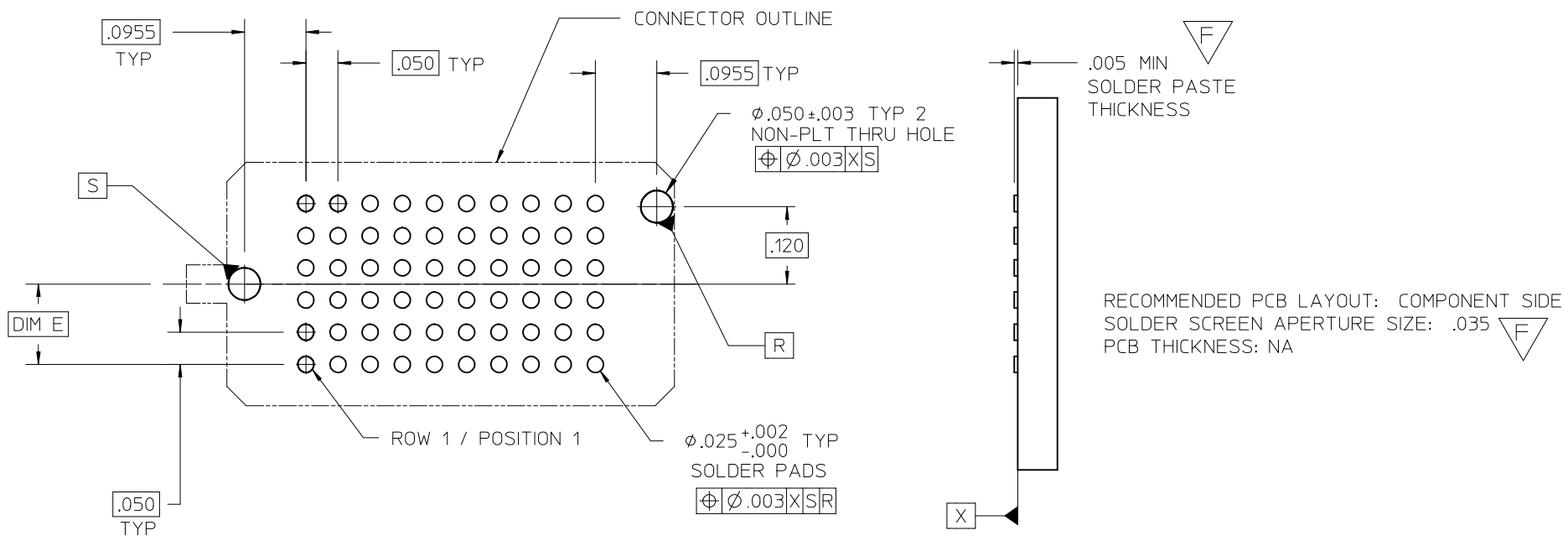
5

4

3

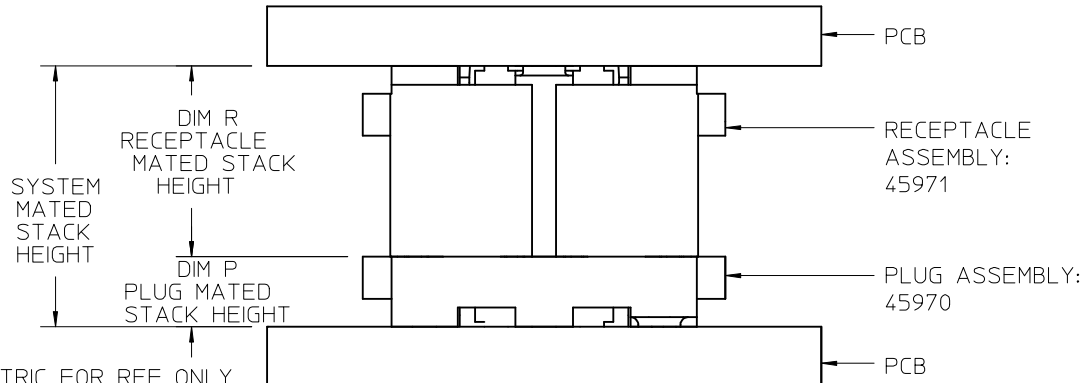
2

1



		DIM R RECEPTACLE STACK HEIGHT					
		MM	5.0	6.0	6.5	7.5	8.0
DIM P PLUG STACK HEIGHT	2.0	7.0	8.0	8.5	9.5	10.0	

MATED STACK HEIGHTS
(MILLIMETERS) REF



STACK HEIGHTS GIVEN IN METRIC FOR REF ONLY

SEE SHEET 1 EC NO: UCP2015-3314 DRWN: SVANG01 2015/08/12 CH'KD: BBARKER 2015/08/12 APPR: SMILLER 2015/08/14	DESCRIPTION REV	QUALITY SYMBOLS	GENERAL TOLERANCES (UNLESS SPECIFIED)		DIMENSION STYLE INCH ONLY		SCALE 4:1	DESIGN UNITS INCH	THIRD ANGLE PROJECTION		
		$\nabla F = 0$ $\nabla E = 0$ $\nabla G = 0$	mm	INCH	DRAWN BY RWHIPPLE	DATE 2014/04/18	TITLE SEARAY PLUG ASSEMBLY .050 CENTERS molex				
		4 PLACES ± --- ± --- 3 PLACES ± --- ± .010 2 PLACES ± --- ± .015 1 PLACE ± --- ± --- 0 PLACE ± ±			CHECKED BY BBARKER	DATE 2014/04/18					
				ANGULAR ± ---°	MATERIAL NO.	APPROVED BY SMILLER	DATE 2014/05/22	DOCUMENT NO. RSD-45970-4130	SHEET NO. 2 OF 2		
				DRAFT WHERE APPLICABLE MUST REMAIN WITHIN DIMENSIONS	SIZE A	THIS DRAWING CONTAINS INFORMATION THAT IS PROPRIETARY TO MOLEX INCORPORATED AND SHOULD NOT BE USED WITHOUT WRITTEN PERMISSION					