



Chipsmall Limited consists of a professional team with an average of over 10 year of expertise in the distribution of electronic components. Based in Hongkong, we have already established firm and mutual-benefit business relationships with customers from,Europe,America and south Asia,supplying obsolete and hard-to-find components to meet their specific needs.

With the principle of “Quality Parts,Customers Priority,Honest Operation,and Considerate Service”,our business mainly focus on the distribution of electronic components. Line cards we deal with include Microchip,ALPS,ROHM,Xilinx,Pulse,ON,Everlight and Freescale. Main products comprise IC,Modules,Potentiometer,IC Socket,Relay,Connector.Our parts cover such applications as commercial,industrial, and automotives areas.

We are looking forward to setting up business relationship with you and hope to provide you with the best service and solution. Let us make a better world for our industry!



## Contact us

Tel: +86-755-8981 8866 Fax: +86-755-8427 6832

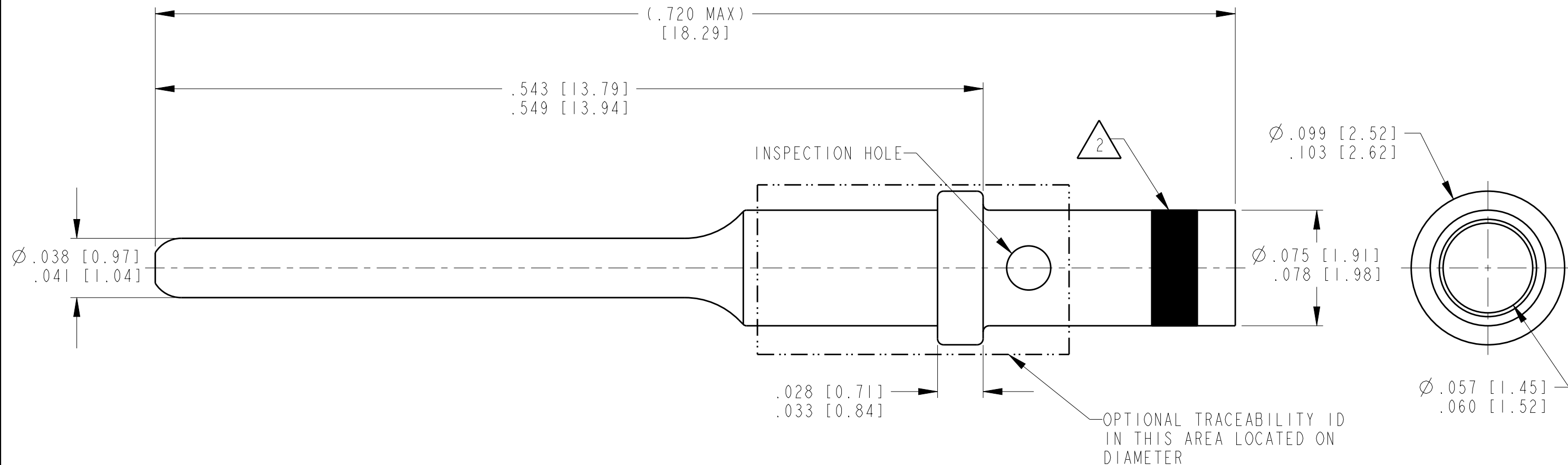
Email & Skype: info@chipsmall.com Web: www.chipsmall.com

Address: A1208, Overseas Decoration Building, #122 Zhenhua RD., Futian, Shenzhen, China



THIS DRAWING IS UNPUBLISHED  
RELEASED FOR PUBLICATION 2018  
© COPYRIGHT 2007 BY TE CONNECTIVITY ALL RIGHTS RESERVED.

REVISIONS					
P	LTR	DESCRIPTION	DATE	DWN	APVD
	C	REVISED PER PCN E-18-001194	24JAN2018	JA	DM



TE INTERNAL PN	DEUTSCH PN	PLATING
0460-010-2031	0460-010-2031	GOLD
0460-010-20141	0460-010-20141	NICKEL
0460-010-20309	0460-010-20309	TIN

3. WIRE RANGE: 18 AWG TO 16 AWG [0.75-1.0MM<sup>2</sup>]

PIN CONTACT IS IDENTIFIED BY A SINGE PURPLE STRIPE.

1. THIS CONTACT MAY BE CRIMPED WITH HDP-400 POWER PRESS OR HDT-48-00 HAND TOOL.

NOTES: UNLESS OTHERWISE SPECIFIED

THIS DRAWING IS A CONTROLLED DOCUMENT.		DWN D. MEYER 22AUG2007	TE Connectivity	
DIMENSIONS: INCHES [mm]		CHK D. MEYER 23JAN2012		
TOLERANCES UNLESS OTHERWISE SPECIFIED:		APVD R. REED 03FEB2012	NAME CONTACT PIN SIZE 20	
0 PLC ± 1 PLC ± 2 PLC ± 3 PLC ± 4 PLC ± ANGLES ±		PRODUCT SPEC 0425-015-0000	RESTRICTED TO	
MATERIAL		APPLICATION SPEC 0425-205-0000	SIZE A3	CAGE CODE 4AFU8
FINISH		WEIGHT .238g	DRAWING NO C=0460-010-20XX	
CUSTOMER DRAWING			SCALE 15:1	SHEET 1 OF 1
			REV C	