



Chipsmall Limited consists of a professional team with an average of over 10 year of expertise in the distribution of electronic components. Based in Hongkong, we have already established firm and mutual-benefit business relationships with customers from,Europe,America and south Asia,supplying obsolete and hard-to-find components to meet their specific needs.

With the principle of "Quality Parts,Customers Priority,Honest Operation,and Considerate Service",our business mainly focus on the distribution of electronic components. Line cards we deal with include Microchip,ALPS,ROHM,Xilinx,Pulse,ON,Everlight and Freescale. Main products comprise IC,Modules,Potentiometer,IC Socket,Relay,Connector.Our parts cover such applications as commercial,industrial, and automotives areas.

We are looking forward to setting up business relationship with you and hope to provide you with the best service and solution. Let us make a better world for our industry!



## Contact us

Tel: +86-755-8981 8866 Fax: +86-755-8427 6832

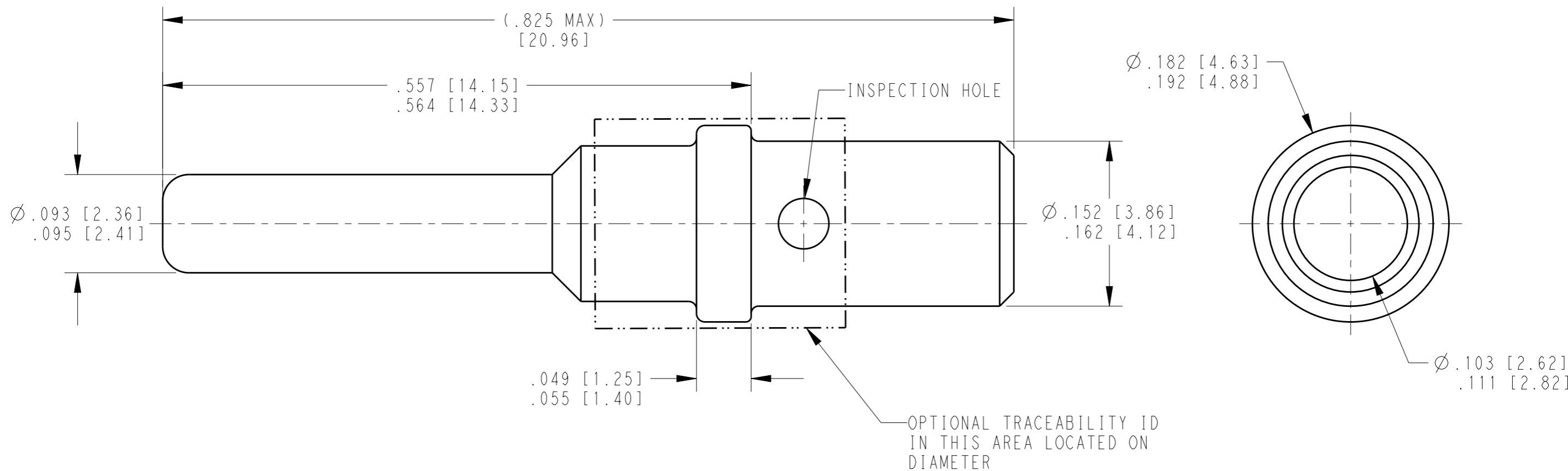
Email & Skype: info@chipsmall.com Web: www.chipsmall.com

Address: A1208, Overseas Decoration Building, #122 Zhenhua RD., Futian, Shenzhen, China




THIS DRAWING IS UNPUBLISHED  
 RELEASED FOR PUBLICATION 2018  
 © COPYRIGHT 1984 BY TE CONNECTIVITY ALL RIGHTS RESERVED.

REVISIONS					
P	LTR	DESCRIPTION	DATE	DWN	APVD
	NC	NEW RELEASE PER E.O. 1399	12APR1984		JA
	A	REDRAWN PER E.O. A13367	16MAR1993		JA
	B	REVISED AND REDRAWN PER EO P18855	14MAR2005	JA	RDR
	C	REVISED PER PCN E-18-001206	24JAN2018	JA	DM



TE INTERNAL PN	DEUTSCH PN	PLATING
0460-220-1231	0460-220-1231	GOLD

THIS DRAWING IS A CONTROLLED DOCUMENT.		DWN	J. APOSTOL	04MAR2005	 TE Connectivity
DIMENSIONS: INCHES [mm]		CHK	B. BYFORD	14MAR2005	
TOLERANCES UNLESS OTHERWISE SPECIFIED:		APVD	R. REED	14MAR2005	
0 PLC ± 1 PLC ± 2 PLC ± 3 PLC ± 4 PLC ± ANGLES ±		PRODUCT SPEC	0425-015-0000		
MATERIAL		FINISH	APPLICATION SPEC		NAME
			0425-205-0000		CONTACT PIN
			WEIGHT		SIZE
					A3
			CUSTOMER DRAWING		CAGE CODE
					4AFU8
					DRAWING NO
					0460-220-12XX
					RESTRICTED TO
					-
					SCALE
					10:1
					SHEET
					1 OF 1
					REV
					C

NOTES:  
 1. WIRE RANGE : 14 AWG TO 12 AWG [2.0 - 3.0 mm<sup>2</sup>].