



Chipsmall Limited consists of a professional team with an average of over 10 year of expertise in the distribution of electronic components. Based in Hongkong, we have already established firm and mutual-benefit business relationships with customers from,Europe,America and south Asia,supplying obsolete and hard-to-find components to meet their specific needs.

With the principle of “Quality Parts,Customers Priority,Honest Operation,and Considerate Service”,our business mainly focus on the distribution of electronic components. Line cards we deal with include Microchip,ALPS,ROHM,Xilinx,Pulse,ON,Everlight and Freescale. Main products comprise IC,Modules,Potentiometer,IC Socket,Relay,Connector.Our parts cover such applications as commercial,industrial, and automotives areas.

We are looking forward to setting up business relationship with you and hope to provide you with the best service and solution. Let us make a better world for our industry!



Contact us

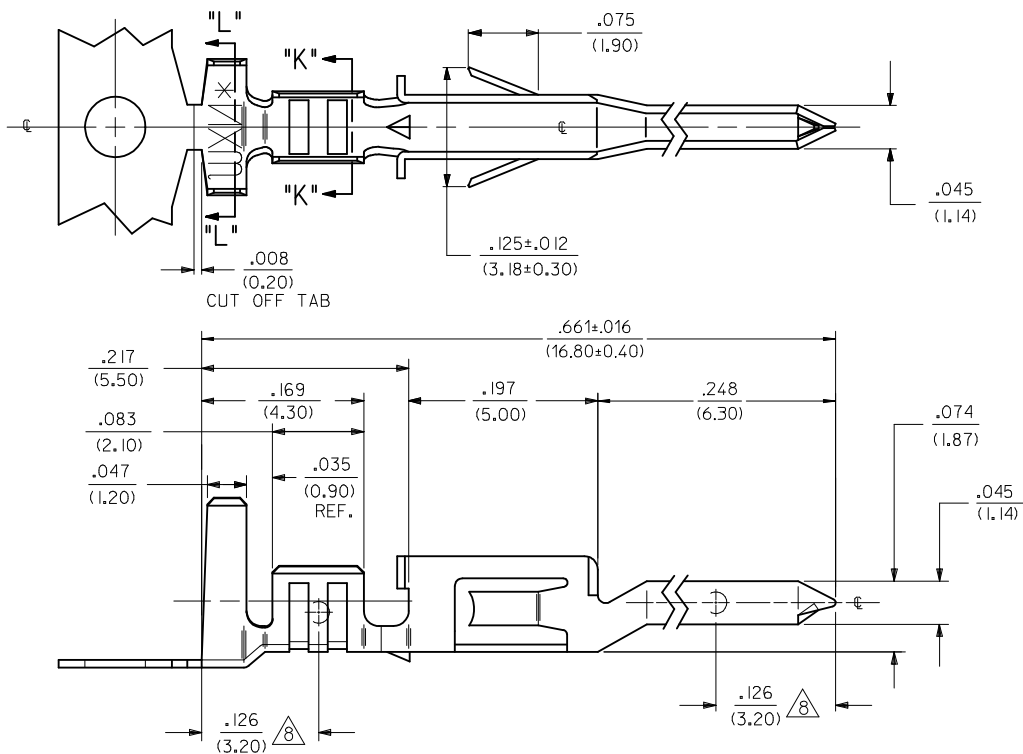
Tel: +86-755-8981 8866 Fax: +86-755-8427 6832

Email & Skype: info@chipsmall.com Web: www.chipsmall.com

Address: A1208, Overseas Decoration Building, #122 Zhenhua RD., Futian, Shenzhen, China

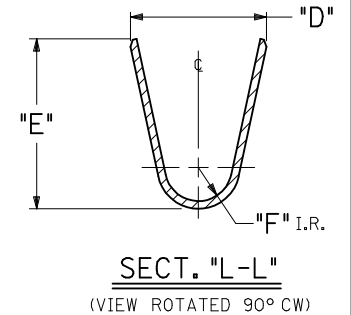
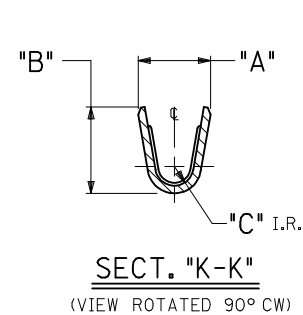
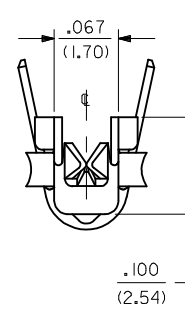


ITEM NO.	FORM	WIRE GAGE	RANGE OF INSULATION DIA.	DIM. "A"	DIM. "B"	DIM. "C"	DIM. "D"	DIM. "E"	DIM. "F"	FINISH (SEE NOTE 2)
46012-1141	CHAIN	18-20 GA.	.051-.122 (1.30-3.10)	.075±.012	.091±.016	.020	.142±.012	.177±.016	.035	FINISH 1 - BRIGHT TIN OVER NICKEL
46012-1142	LOOSE			(1.90±.30)	(2.30±.40)	(.50)	(3.60±.30)	(4.50±.40)	(.90)	
46012-3141	CHAIN	16 GA.	.122 (3.10) MAX.	.091±.012	.106±.016	.024	.142±.012	.177±.016	.035	FINISH 2 - SEL. GOLD AND SEL. MATTE TIN OVER NICKEL
46012-3142	LOOSE			(2.30±.30)	(2.70±.40)	(.60)	(3.60±.30)	(4.50±.40)	(.90)	
46012-1241	CHAIN	18-20 GA.	.051-.122 (1.30-3.10)	.075±.012	.091±.016	.020	.142±.012	.177±.016	.035	FINISH 2 - SEL. GOLD AND SEL. MATTE TIN OVER NICKEL
46012-1242	LOOSE			(1.90±.30)	(2.30±.40)	(.50)	(3.60±.30)	(4.50±.40)	(.90)	
46012-3241	CHAIN	16 GA.	.122 (3.10) MAX.	.091±.012	.106±.016	.024	.142±.012	.177±.016	.035	FINISH 2 - SEL. GOLD AND SEL. MATTE TIN OVER NICKEL
46012-3242	LOOSE			(2.30±.30)	(2.70±.40)	(.60)	(3.60±.30)	(4.50±.40)	(.90)	



NOTES:

- MATERIAL:
COPPER ALLOY .0080/(.203) THICK.
- FINISH:
1= .000100/(0.00254) MIN. BRIGHT TIN OVER .000050/(0.00127) MIN NICKEL OVERALL.
2= .000030/(.00076) MIN SELECT GOLD IN CONTACT AREA AND .000100/(0.00254) MIN SELECT MATTE TIN IN CRIMP AREA OVER .000050/(0.00127) MIN NICKEL OVERALL.
GOLD PLATING RECOMMENDED FOR APPLICATIONS WHERE FRETTING CORROSION IS A CONCERN.
- PRODUCT SPECIFICATION: PS-45750-001
- PACKAGING SPECIFICATION: PK-46012-001 FOR CHAIN TERMINALS
PK-5556-003 FOR LOOSE TERMINALS.
- TERMINAL MATES WITH FEMALE TERMINAL SERIES 45750 AND IS FOR USE WITH MOLEX PLUG HOUSINGS 5559, 42475, 43770 AND 30068.
- THIS TERMINAL IS DESIGNED FOR SINGLE WIRE CRIMPING.
- WHEN TERMINALS ARE INSTALLED IN THE HOUSINGS, THE WIRES ARE TO BE DRESSED IN SUCH A MANNER TO ALLOW THE TERMINALS TO FLOAT FREELY IN THE POCKETS.
MEASURING POINT FOR PLATING THICKNESS.



LEGEND:

46012 - * * 4 *

BASE NO. _____

WIRE GAGE _____

1= 18-20
3= 16

CHAIN OR LOOSE _____

1= CHAIN
2= LOOSE

PLATING _____

1= TIN
2= GOLD

REV	DESCRIPTION	QUALITY SYMBOLS
D4	UPDATE NOTE 5 EC NO: UCP2014-4406 DRWN: BELL 2014/04/24 CHKD: BELL 2014/04/24 APPR: FSMITH 2015/07/17	▽=0 ▽=0 ▽=0

GENERAL TOLERANCES (UNLESS SPECIFIED)	
mm	INCH
4 PLACES ± .---	± .---
3 PLACES ± .---	± .010
2 PLACES ± 0.25	± .015
1 PLACE ± 0.38	± .---
0 PLACE ±	±

ANGULAR ±1/2°

DRAFT WHERE APPLICABLE MUST REMAIN WITHIN DIMENSIONS

DIMENSION STYLE	
IN/MM	
DRAWN BY	DATE
TGREGORI	2005/07/28
CHECKED BY	DATE
GPOLGAR	2005/07/28
APPROVED BY	DATE
JCOMERC I	2005/07/28
MATERIAL NO.	
SEE CHART	

SCALE	DESIGN UNITS	THIRD ANGLE PROJECTION
	METRIC	
TERM., MALE, CRIMP MINI-FIT JR. HCS PLUS SERIES		
molex		
DOCUMENT NO.	SHEET NO.	
SD-46012-001	1 OF 1	
THIS DRAWING CONTAINS INFORMATION THAT IS PROPRIETARY TO MOLEX INCORPORATED AND SHOULD NOT BE USED WITHOUT WRITTEN PERMISSION		