



Chipsmall Limited consists of a professional team with an average of over 10 year of expertise in the distribution of electronic components. Based in Hongkong, we have already established firm and mutual-benefit business relationships with customers from,Europe,America and south Asia,supplying obsolete and hard-to-find components to meet their specific needs.

With the principle of “Quality Parts,Customers Priority,Honest Operation,and Considerate Service”,our business mainly focus on the distribution of electronic components. Line cards we deal with include Microchip,ALPS,ROHM,Xilinx,Pulse,ON,Everlight and Freescale. Main products comprise IC,Modules,Potentiometer,IC Socket,Relay,Connector.Our parts cover such applications as commercial,industrial, and automotives areas.

We are looking forward to setting up business relationship with you and hope to provide you with the best service and solution. Let us make a better world for our industry!



## Contact us

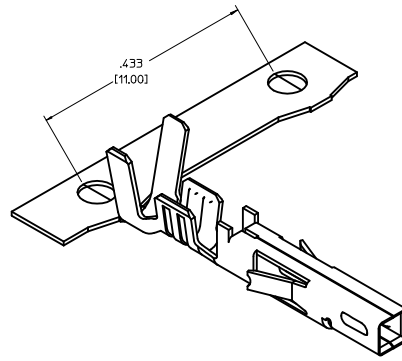
Tel: +86-755-8981 8866 Fax: +86-755-8427 6832

Email & Skype: info@chipsmall.com Web: www.chipsmall.com

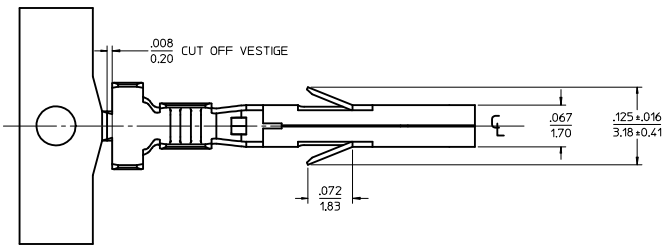
Address: A1208, Overseas Decoration Building, #122 Zhenhua RD., Futian, Shenzhen, China



ITEM NO.	FORM	WIRE GAGE	DIM. "B"	DIM. "C"	DIM. "D"	DIM. "E"	DIM. "F"	DIM. "G"
460182541	CHAIN	22-24	.09±.012 (2.30±0.30)	.09±.016 (2.30±0.40)	.024 (0.60)	.07±.012 (1.80±0.30)	.045±.016 (1.65±0.40)	.016 (0.40)
460181541	CHAIN	18-20	.142±.012 (3.60±0.30)	.177±.016 (4.50±0.40)	.035 (0.90)	.075±.012 (1.90±0.30)	.09±.016 (2.30±0.40)	.020 (0.50)
460183541	CHAIN	16	.142±.012 (3.60±0.30)	.177±.016 (4.50±0.40)	.035 (0.90)	.09±.012 (2.30±0.30)	.106±.016 (2.70±0.40)	.024 (0.60)

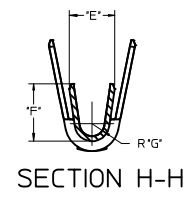
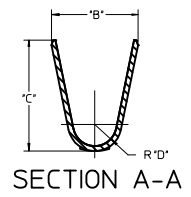
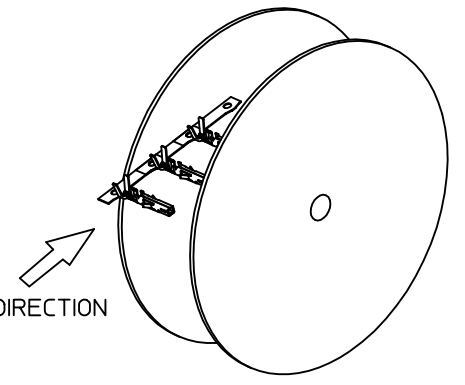
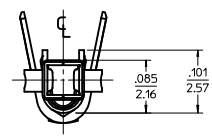
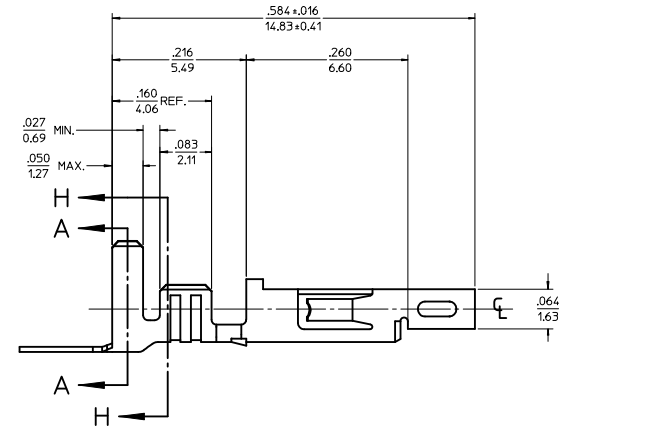


- NOTES:
- MATERIAL: COPPER ALLOY .0080/(0.203) THICK
  - FINISH:
    - .000030/.00076 MIN. SELECT GOLD IN CONTACT AREA AND .000100/.00254 MIN. SELECT MATTE TIN IN CRIMP AREA OVER .000050/.00127 MIN. NICKEL OVERALL.
 PROPRIETARY MOLEX ADVANCED CONTACT SURFACE FINISH (CSF) IN CONTACT AREA.
  - PRODUCT SPECIFICATION: PS-46018-004
  - PACKAGING INFORMATION: PK-46018-001 FOR CHAIN TERMINALS
  - MATES WITH: MALE TERMINAL SERIES 46011 AND HEADERS 46011, 44068, 42404, 43810, 46014, 5569, 46015, 30070.
  - TERMINAL FOR USE WITH 5557, 42474, 44516, 43760, AND 30067 SERIES HOUSINGS.
  - WHEN TERMINALS ARE INSTALLED IN THE HOUSING, THE WIRES ARE TO BE DRESSED IN SUCH A MANNER TO ALLOW THE TERMINALS TO FLOAT FREELY IN THE POCKET.
  - THIS TERMINAL IS DESIGNED FOR SINGLE WIRE CRIMPING.
  - THIS PART CONFORMS TO CLASS B REQUIREMENTS OF COSMETIC SPEC PS-45499-002.



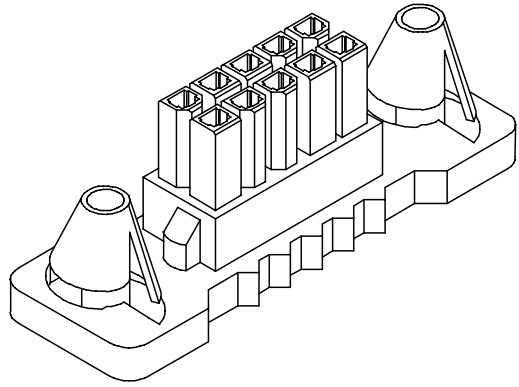
### LEGEND

46018\*54\*  
 BASE NUMBER      FORM  
 1 = CHAIN  
 WIRE GAGE  
 1 = 18-20  
 2 = 22-24  
 3 = 16

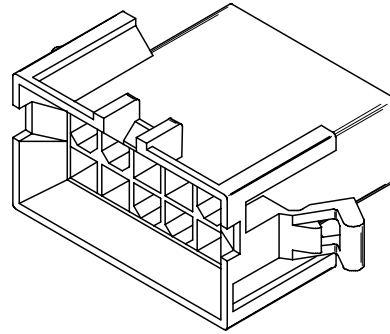


RoHS COMPLIANT

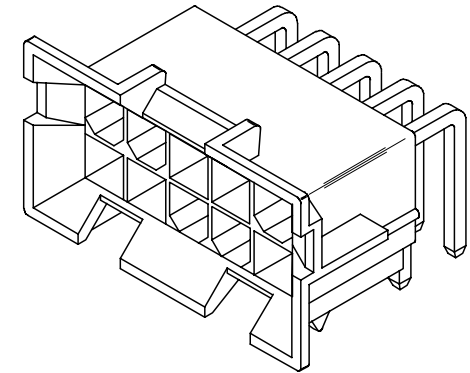
CHG PLTG. ADD CSF EC NO: UCP2011-3318 DRAWN: BANDERSON CHKD: BELL APPROV: SMITH	DESCRIPTION 2011/04/26 2011/04/26 2011/09/02	QUALITY SYMBOLS ▽=0 ▽=0 ▽=0	GENERAL TOLERANCES (UNLESS SPECIFIED)		DIMENSION STYLE IN/MM		SCALE 10:1	DESIGN UNITS INCH	THIRD ANGLE PROJECTION
			mm	INCH	DATE	DATE	DATE	DATE	DATE
			4 PLACES ±---	±---	TGREGOR I	2005-08-17	TITLE FEMALE CRIMP TERMINAL MINI-FIT PLUS HIGH MATING CYCLE (HMC)		
			3 PLACES ±---	±.010	JCOMERC I	2005-08-17	MOLEX INCORPORATED		
			2 PLACES ±0.25	±.014	JCOMERC I	2005-08-17	MATERIAL NO. SD-46018-001		
			1 PLACE ±0.36	±---	JCOMERC I	2005-08-17	DOCUMENT NO. SD-46018-001		
			ANGULAR ±1/2°		SEE CHART		SHEET NO. 1 OF 1		
			DRAFT WHERE APPLICABLE MUST REMAIN WITHIN DIMENSIONS		THIS DRAWING CONTAINS INFORMATION THAT IS PROPRIETARY TO MOLEX INCORPORATED AND SHOULD NOT BE USED WITHOUT WRITTEN PERMISSION				



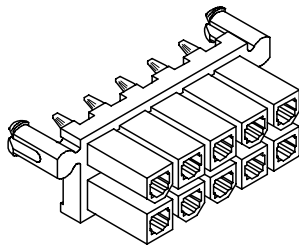
42474-\*\*\*\*  
BLIND MATING RECEPTACLE  
(DRAWER CONNECTOR)



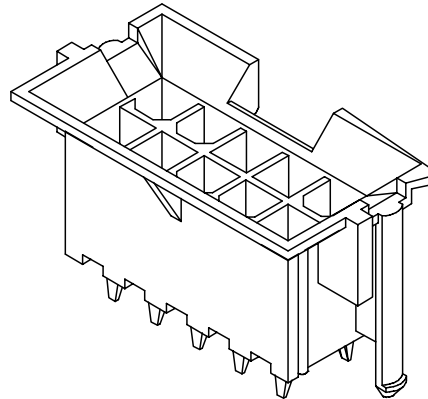
42475-\*\*\*\*  
BLIND MATE PLUG  
W/ MTG. EARS



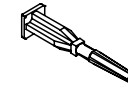
46100  
BLIND MATING  
RIGHT ANGLE HEADER  
(BOARD-TO-BOARD)



46101  
VERTICAL RECEPTACLE HEADER  
(BOARD-TO-BOARD)



46099  
BLIND MATING VERTICAL HEADER  
(BOARD-TO-BOARD)



42232-\*\*  
POLARIZING KEY FOR  
RECEPTACLES ONLY.

( WITH AND WITHOUT  
DRAIN HOLES )

INITIAL RELEASE	DESCRIPTION
EC NO: UCP2006-2550	
DRWN: TGREGORI	2006/05/12
CHKD: JCOMERC I	2006/05/13
APPR: JCOMERC I	2006/05/15
A	REV

QUALITY SYMBOLS



GENERAL TOLERANCES (UNLESS SPECIFIED)

	DIMENSION STYLE	
	mm	INCH
4 PLACES	± ---	± ---
3 PLACES	± ---	± ---
2 PLACES	± ---	± ---
1 PLACE	± ---	± ---
ANGULAR ± ---°		

DRAFT WHERE APPLICABLE  
MUST REMAIN  
WITHIN DIMENSIONS

DIMENSION STYLE	
IN	MM
DRAWN BY	DATE
TGREGORI	2006/04/27
CHECKED BY	DATE
JCOMERC I	
APPROVED BY	DATE
JCOMERC I	

MATERIAL NO.  
SEE ABOVE

SIZE  
A

SCALE DESIGN UNITS THIRD ANGLE PROJECTION

TITLE  
MINI-FIT PLUS HIGH CYCLE  
CONNECTOR FAMILY  
(INDEX DRAWING)

MOLEX MOLEX INCORPORATED

DOCUMENT NO. SHEET NO.  
SDIN-46018-001 1 OF 1

THIS DRAWING CONTAINS INFORMATION THAT IS PROPRIETARY TO MOLEX INCORPORATED AND SHOULD NOT BE USED WITHOUT WRITTEN PERMISSION