



Chipsmall Limited consists of a professional team with an average of over 10 year of expertise in the distribution of electronic components. Based in Hongkong, we have already established firm and mutual-benefit business relationships with customers from,Europe,America and south Asia,supplying obsolete and hard-to-find components to meet their specific needs.

With the principle of "Quality Parts,Customers Priority,Honest Operation,and Considerate Service",our business mainly focus on the distribution of electronic components. Line cards we deal with include Microchip,ALPS,ROHM,Xilinx,Pulse,ON,Everlight and Freescale. Main products comprise IC,Modules,Potentiometer,IC Socket,Relay,Connector.Our parts cover such applications as commercial,industrial, and automotives areas.

We are looking forward to setting up business relationship with you and hope to provide you with the best service and solution. Let us make a better world for our industry!



Contact us

Tel: +86-755-8981 8866 Fax: +86-755-8427 6832

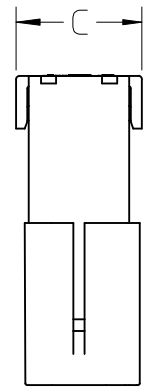
Email & Skype: info@chipsmall.com Web: www.chipsmall.com

Address: A1208, Overseas Decoration Building, #122 Zhenhua RD., Futian, Shenzhen, China



MATERIAL NUMBER	CKT SIZE	INSULATION DIA (MM)	SEAL COLOR	DIM A	DIM C
46065-0032	2	2.52 / 2.81	DARK ORANGE	14.4	16.7
46065-0033 *	3	2.52 / 2.81	DARK ORANGE	18.6	20.9
46065-0034 *	4	2.52 / 2.81	DARK ORANGE	22.8	25.1

* = NOT TOOLED



NOTES:

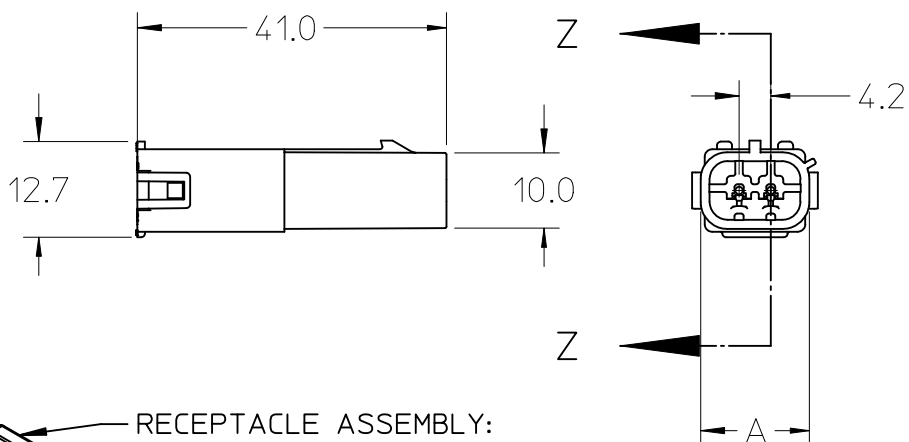
1. MATERIALS: PLUG HOUSING= POLYESTER: BLACK.
SEALS: SILICONE RUBBER - SEE CHART.
COVER: POLYESTER: BLACK
2. PRODUCT SPECIFICATION: PS-46064-001.
3. PACKAGING SPECIFICATION: PK-46065-001.
4. THIS ASSEMBLY ACCEPTS CRIMP TERMINALS:
46056-0002 (TIN)
46056-0003 (SELECTIVE GOLD)
5. SEE SHEET TWO FOR TERMINAL ORIENTATION.
6. MATES WITH RECEPTACLE ASSEMBLY NUMBER 46064-.*.

CRIMP ORIENTATION SYMBOL

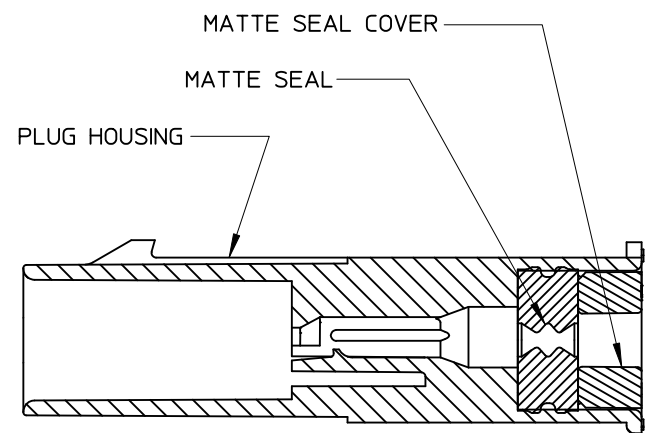
SEE SHEET 2



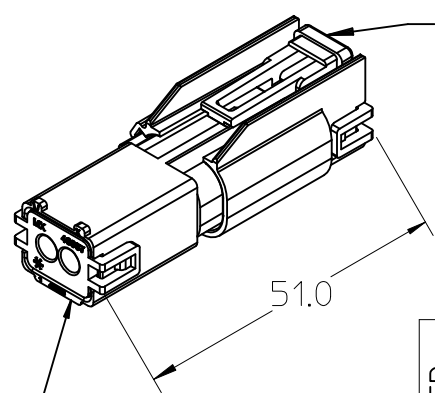
CIRCUIT NO. 1 IDENTIFICATION



RECEPTACLE ASSEMBLY:
46064-.*



SECTION Z-Z
SCALE 2:1



PLUG ASSEMBLY:
46065-.*

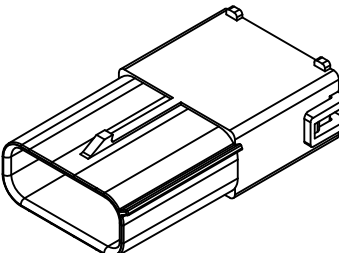
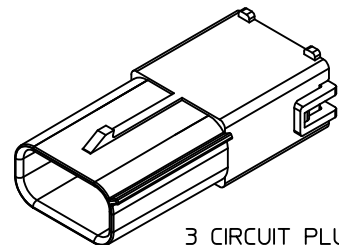
MATED ASSEMBLIES

ADD NOT TOOLED	EC NO: UCP2012-4063	2012/06/08	DESCRIPTION
	DRWN: NGUYEN	2012/06/08	
	CHKD: JBELL	2012/06/13	
	APPR: FSM:TH		
	E1	REV	

GENERAL TOLERANCES (UNLESS SPECIFIED)	
	mm INCH
4 PLACES	± --- ± ---
3 PLACES	± --- ± ---
2 PLACES	± 0.25 ± ---
1 PLACE	± 0.38 ± ---
ANGULAR ± 1/2°	
DRAFT WHERE APPLICABLE MUST REMAIN WITHIN DIMENSIONS	

DIMENSION STYLE MM ONLY	
DRAWN BY	DATE
BBWILSON	
CHECKED BY	DATE
APPROVED BY	DATE
MATERIAL NO.	
SIZE	A

SCALE 1:1	DESIGN UNITS METRIC	THIRD ANGLE PROJECTION
TITLE SEALED MINIFIT H20 PLUG ASSEMBLY		
MOLEX MOLEX INCORPORATED		
DOCUMENT NO. SD-46065-001	SHEET NO. 1 OF 2	



PLUG TERMINAL
46056

MATTE SEAL COVER

MATTE SEAL

CRIMP ORIENTATION SYMBOL
SEE DETAIL1

DETAIL1
SCALE 4:1

TERMINALS TO BE INSERTED INTO
HOUSING WITH THE CRIMP SECTION
MATCHING THE CRIMP ORIENTATION
SYMBOL ON THE HOUSING.

SEE SHEET 1	DESCRIPTION
EC NO: UCP2012-4063	2012/06/08
DRWN:NGUYEN	2012/06/08
CHKD:JBELL	2012/06/13
APPR:FSM/TH	
E1	REV

GENERAL TOLERANCES (UNLESS SPECIFIED)		
	mm	INCH
4 PLACES	± ---	± ---
3 PLACES	± ---	± ---
2 PLACES	± 0.25	± ---
1 PLACE	± 0.38	± ---
ANGULAR ±1/2°		
DRAFT WHERE APPLICABLE MUST REMAIN WITHIN DIMENSIONS		

DIMENSION STYLE MM ONLY	
DRAWN BY BBWILSON	DATE
CHECKED BY	DATE
APPROVED BY	DATE
MATERIAL NO. SEE CHART	
SIZE A	

SCALE 1:1	DESIGN UNITS METRIC	THIRD ANGLE PROJECTION
TITLE SEALED MINIFIT H20 PLUG ASSEMBLY		
molex MOLEX INCORPORATED		
DOCUMENT NO. SD-46065-001	SHEET NO. 2 OF 2	