



Chipsmall Limited consists of a professional team with an average of over 10 year of expertise in the distribution of electronic components. Based in Hongkong, we have already established firm and mutual-benefit business relationships with customers from,Europe,America and south Asia,supplying obsolete and hard-to-find components to meet their specific needs.

With the principle of “Quality Parts,Customers Priority,Honest Operation,and Considerate Service”,our business mainly focus on the distribution of electronic components. Line cards we deal with include Microchip,ALPS,ROHM,Xilinx,Pulse,ON,Everlight and Freescale. Main products comprise IC,Modules,Potentiometer,IC Socket,Relay,Connector.Our parts cover such applications as commercial,industrial, and automotives areas.

We are looking forward to setting up business relationship with you and hope to provide you with the best service and solution. Let us make a better world for our industry!



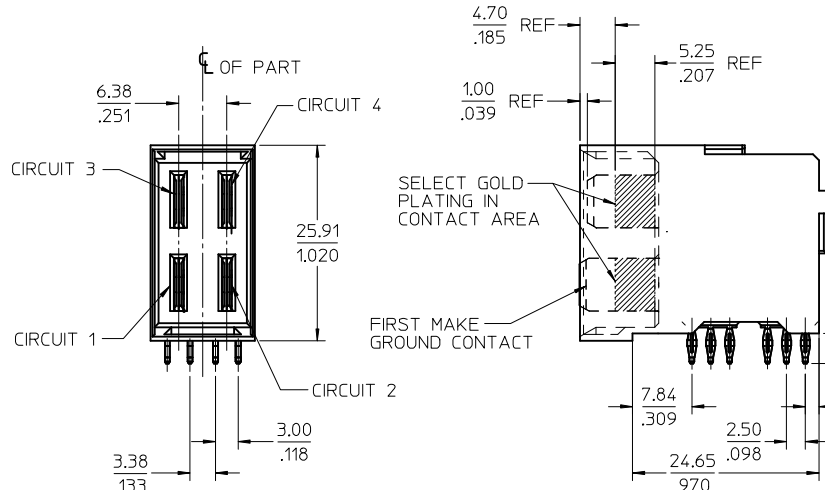
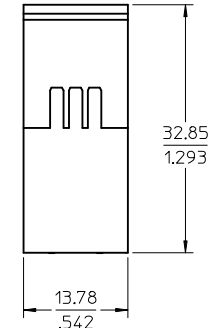
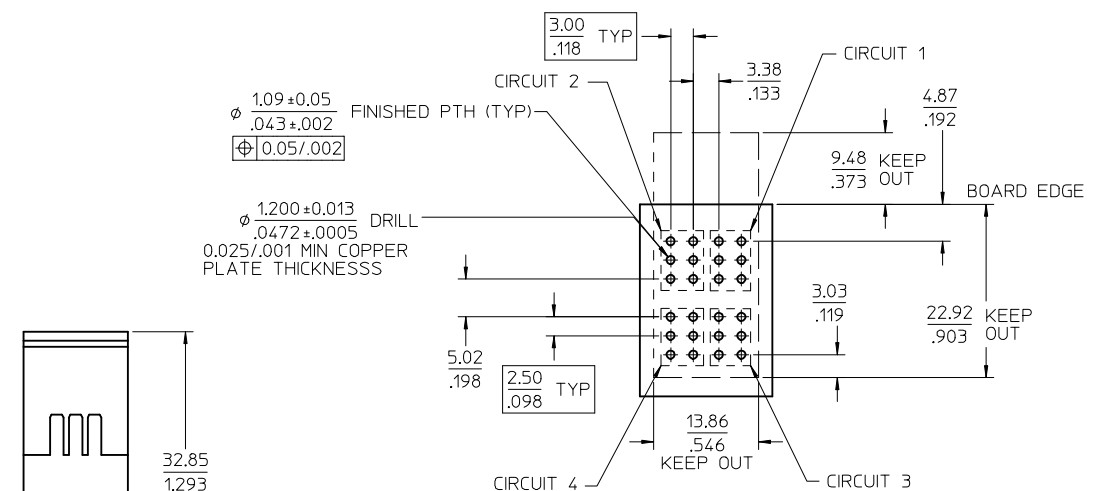
## Contact us

Tel: +86-755-8981 8866 Fax: +86-755-8427 6832

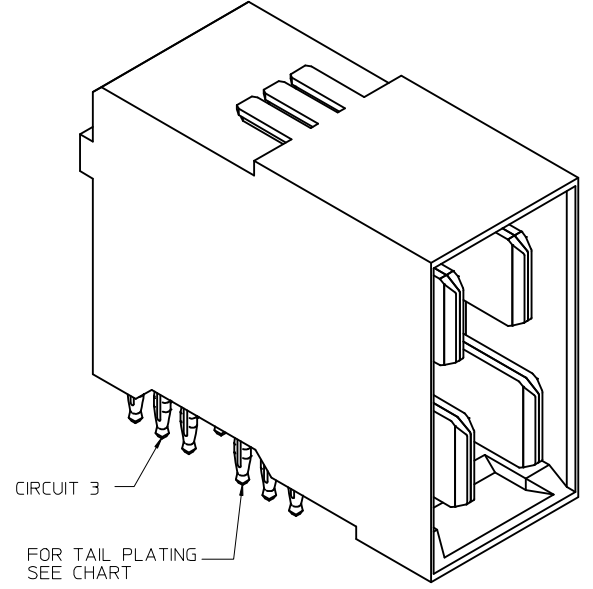
Email & Skype: info@chipsmall.com Web: www.chipsmall.com

Address: A1208, Overseas Decoration Building, #122 Zhenhua RD., Futian, Shenzhen, China





- NOTES:
- MATERIALS:
    - HOUSING: 30% GLASS FILLED, LCP 94V-0, COLOR BLACK
    - TERMINALS: COPPER ALLOY
  - PLATING:
    - 0.76 MICROMETER (30 MICROINCH) MINIMUM GOLD IN CONTACT AREA
    - SELECTIVE MATTE TIN ON PCB TAILS
    - NICKEL UNDERPLATE OVERALL
  - PLUG MATES WITH RECEPTACLE ASSEMBLY 46079-10\*\*
  - MODULE IS DESIGNED FOR PRESS FIT TO THE PCB
  - MODULE ASSEMBLY IS RoHS COMPLIANT
  - MODULES TO BE UL & CSA LISTED PER UL-1977
  - AVERAGE INSERTION FORCE INTO PCB IS 8.2 kg/18 lbs PER TAIL
  - PRODUCT PERFORMANCE AND RATING PER PS-75431-\*\*\*\*
  - APPLICATION SPEC PER AS-75541-\*\*\*\*
  - RECOMMENDED PCB DRILL HOLE DIA 1.180/0465 (#56 DRILL)
  - FOR MODULE CONFIGURATION SEE DRAWING SD-75541-001



UPDATE PER ISIR EC NO: 2015/02/17 DRWN: JQUILES CHKD: MBANDURA APPR: APATEL 2015/02/17 2015/02/17 2015/02/17	QUALITY SYMBOLS ∇=0 ∇=0 ∇=0	GENERAL TOLERANCES (UNLESS SPECIFIED)		DIMENSION STYLE MM/IN		SCALE 2:1	DESIGN UNITS METRIC	THIRD ANGLE PROJECTION		
		4 PLACES ± --- ± ---	mm	INCH	DRAWN BY JQUILES	DATE 2005/08/01	ASSEMBLY - PLUG 4 CIRCUIT - PRESS FIT MULTI PATH <b>molex</b>			
		3 PLACES ± --- ± .008			CHECKED BY MDATA	DATE 2005/08/04				
		2 PLACES ± 0.20 ± .013			APPROVED BY APATEL	DATE 2005/08/05	MATERIAL NO. 46081-1000		DOCUMENT NO. SD-46081-100	
1 PLACE ± 0.33 ± ---			DRAFT WHERE APPLICABLE MUST REMAIN WITHIN DIMENSIONS		ANGULAR ±1/2°		SHEET NO. 1 OF 1			
0 PLACE ± ±			THIS DRAWING CONTAINS INFORMATION THAT IS PROPRIETARY TO MOLEX INCORPORATED AND SHOULD NOT BE USED WITHOUT WRITTEN PERMISSION							