



Chipsmall Limited consists of a professional team with an average of over 10 year of expertise in the distribution of electronic components. Based in Hongkong, we have already established firm and mutual-benefit business relationships with customers from,Europe,America and south Asia,supplying obsolete and hard-to-find components to meet their specific needs.

With the principle of “Quality Parts,Customers Priority,Honest Operation,and Considerate Service”,our business mainly focus on the distribution of electronic components. Line cards we deal with include Microchip,ALPS,ROHM,Xilinx,Pulse,ON,Everlight and Freescale. Main products comprise IC,Modules,Potentiometer,IC Socket,Relay,Connector.Our parts cover such applications as commercial,industrial, and automotives areas.

We are looking forward to setting up business relationship with you and hope to provide you with the best service and solution. Let us make a better world for our industry!



## Contact us

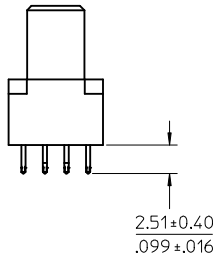
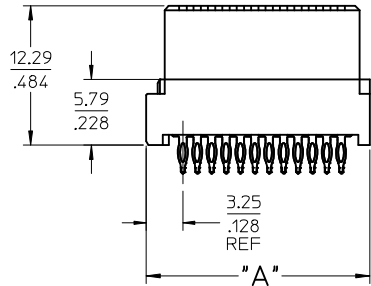
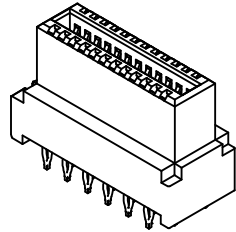
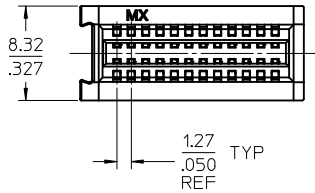
Tel: +86-755-8981 8866 Fax: +86-755-8427 6832

Email & Skype: info@chipsmall.com Web: www.chipsmall.com

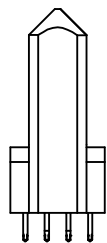
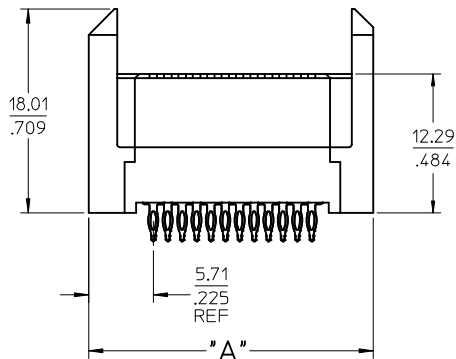
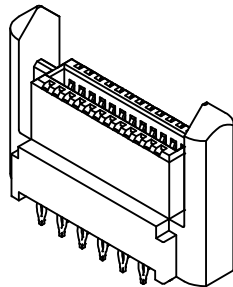
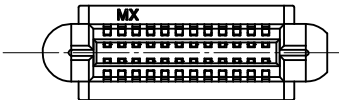
Address: A1208, Overseas Decoration Building, #122 Zhenhua RD., Futian, Shenzhen, China



P/N 46113-0243 SHOWN



P/N 46113-0243 SHOWN



NOTES:

1. MATERIAL: HOUSING: LCP, 94-V0, COLOR: BLACK  
POWER CONTACTS: COPPER ALLOY  
SIGNAL CONTACTS: MODIFIED TIN BRASS
2. FINISH: SELECT GOLD - 0.75 μM/30 μ INCHES  
SELECT TIN - 1.91 μM/75 μ INCHES OR  
SELECT TIN-LEAD - 1.91 μM/75 μ INCHES  
BOTH OVER NICKEL - 1.25 μM/50 μ INCHES
3. PARTS ARE RoHS COMPLIANT
4. MATES TO MOLEX P/N 45985-SERIES OR  
EDGE CARD 1.571.062
5. PRODUCT SPECIFICATION PS-46114-001
6. PACKAGING: PER PK-46114-003

SIGNAL HOUSING ASSY - STANDARD

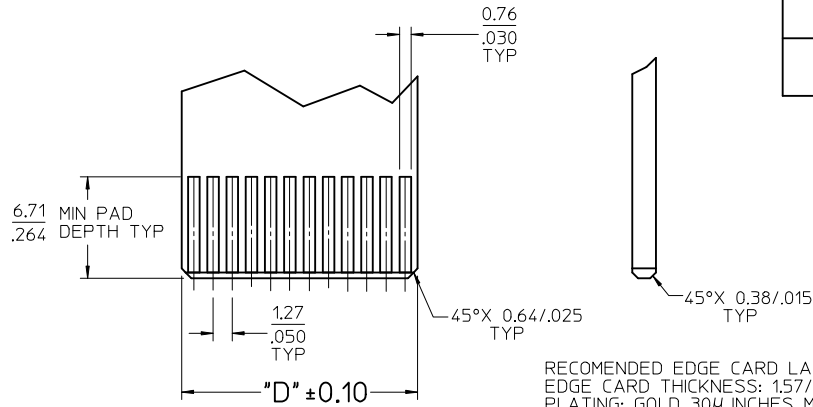
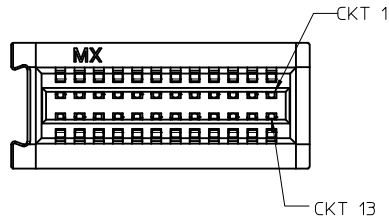
NO OF CKTS	MATERIAL NUMBER	COMPLIANT PIN PLATING	DIM "A"
12	46113-0121	TIN	12.13/1.478
	46113-0125	TIN-LEAD	
16	46113-0161	TIN	14.67/1.578
	46113-0165	TIN-LEAD	
20	46113-0201	TIN	17.21/1.678
	46113-0205	TIN-LEAD	
24	46113-0241	TIN	19.75/1.778
	46113-0245	TIN-LEAD	
28	46113-0281	TIN	22.29/1.878
	46113-0285	TIN-LEAD	
32	46113-0321	TIN	24.83/1.978
	46113-0325	TIN-LEAD	
36	46113-0361	TIN	27.37/1.078
	46113-0365	TIN-LEAD	
40	46113-0401	TIN	29.91/1.178
	46113-0405	TIN-LEAD	

SIGNAL HOUSING ASSY W/2 GUIDES

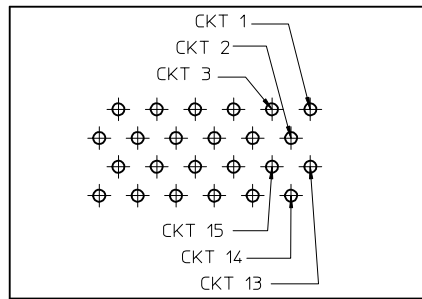
NO OF CKTS	MATERIAL NUMBER	COMPLIANT PIN PLATING	DIM "A"
12	46113-0123	TIN	17.49/1.689
	46113-0126	TIN-LEAD	
16	46113-0163	TIN	20.03/1.789
	46113-0166	TIN-LEAD	
20	46113-0203	TIN	22.57/1.889
	46113-0206	TIN-LEAD	
24	46113-0243	TIN	25.11/1.989
	46113-0246	TIN-LEAD	
28	46113-0283	TIN	27.65/1.089
	46113-0286	TIN-LEAD	
32	46113-0323	TIN	30.19/1.189
	46113-0326	TIN-LEAD	
36	46113-0363	TIN	32.73/1.289
	46113-0366	TIN-LEAD	
40	46113-0403	TIN	35.27/1.389
	46113-0406	TIN-LEAD	

REV & REFORMAT DWG EC NO: UCP2013-1470 DRWN: JUILLES 2012/11/01 CHKD: MBANDURA 2013/01/03 APPR: APATEL 2013/01/16	QUALITY SYMBOLS	GENERAL TOLERANCES (UNLESS SPECIFIED)	DIMENSION STYLE	SCALE	DESIGN UNITS	THIRD ANGLE PROJECTION
	▽=0	mm INCH	MM/IN	3:1	METRIC	
	▽=0	4 PLACES ± --- ± ---	DRAWN BY DATE	TITLE		
	▽=0	3 PLACES ± --- ± .010	MKARADIMAS 2008/03/10	LPH VERTICAL RECEPTACLE SIGNAL ASSEMBLY		
	2 PLACES ± 0.25 ± ---	CHECKED BY DATE	12 CKT-40 CKT, PRESS-FIT			
	1 PLACE ± --- ± ---	MBANDURA 2008/03/14	molex			
	0 PLACE ± --- ± ---	APPROVED BY DATE	DOCUMENT NO.			
		JCOMERCI 2009/12/03	SD-46113-200			
			SHEET NO.			
			1 OF 2			
			THIS DRAWING CONTAINS INFORMATION THAT IS PROPRIETARY TO MOLEX INCORPORATED AND SHOULD NOT BE USED WITHOUT WRITTEN PERMISSION			

SIGNAL 24 CKT



RECOMENDED EDGE CARD LAYOUT  
EDGE CARD THICKNESS: 157/.062  
PLATING: GOLD 30µ INCHES MIN  
OVER 150µ INCHES NICKEL



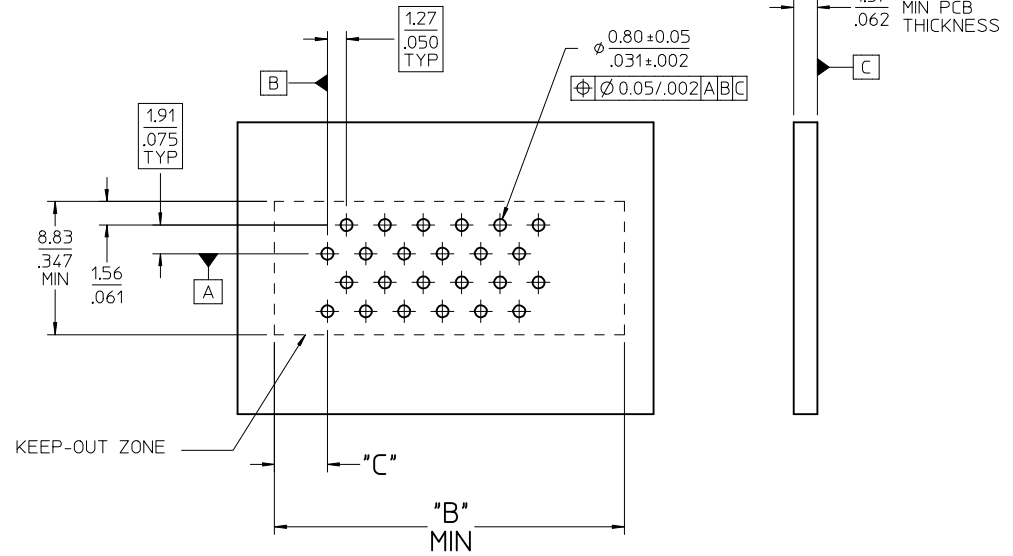
PCB LAYOUT: COMPONENT SIDE  
SEE SHT 1 FOR DIMENSIONS

SIGNAL HOUSING ASSY - STANDARD

NO OF CKTS	MATERIAL NUMBER	DIM "B"	DIM "C"	DIM "D"
12	46113-0121	12.65/.498	3.51/.138	8.00/.315
	46113-0125			8.00/.315
16	46113-0161	15.19/.598		10.54/.415
	46113-0165			10.54/.415
20	46113-0201	17.73/.698		13.08/.515
	46113-0205			13.08/.515
24	46113-0241	20.27/.798		15.62/.615
	46113-0245			15.62/.615
28	46113-0281	22.81/.898		18.16/.715
	46113-0285			18.16/.715
32	46113-0321	25.35/.998	20.70/.815	
	46113-0325		20.70/.815	
36	46113-0361	27.89/1.098	23.24/.915	
	46113-0365		23.24/.915	
40	46113-0401	30.43/1.198	25.78/1.015	
	46113-0405		25.78/1.015	

SIGNAL HOUSING ASSY W/2 GUIDES

NO OF CKTS	MATERIAL NUMBER	DIM "B"	DIM "C"	DIM "D"
12	46113-0123	18.01/.709	5.97/.235	8.00/.315
	46113-0126			8.00/.315
16	46113-0163	20.55/.809		10.54/.415
	46113-0166			10.54/.415
20	46113-0203	25.63/1.009		13.08/.515
	46113-0206			13.08/.515
24	46113-0243	25.88/1.019		15.62/.615
	46113-0246			15.62/.615
28	46113-0283	28.17/1.109		18.16/.715
	46113-0286			18.16/.715
32	46113-0323	30.71/1.209	20.70/.815	
	46113-0326		20.70/.815	
36	46113-0363	33.25/1.309	23.24/.915	
	46113-0366		23.24/.915	
40	46113-0403	35.79/1.409	25.78/1.015	
	46113-0406		25.78/1.015	



PCB COMPONENT SIDE

SEE SHEET 1 EC NO: UCP2013-1470 DRWN: JUILLES 2012/11/01 CHKD: MBANDURA 2013/01/03 APPR: APATEL 2013/01/16	QUALITY SYMBOLS ▽=0 ▽=0 ▽=0	GENERAL TOLERANCES (UNLESS SPECIFIED)		DIMENSION STYLE MM/IN		SCALE 4:1	DESIGN UNITS METRIC	THIRD ANGLE PROJECTION	
		4 PLACES ± --- ± ---	mm	INCH	DRAWN BY	DATE	LPH VERTICAL RECEPTACLE SIGNAL ASSEMBLY 12 CKT-40 CKT, PRESS-FIT <b>molex</b> DOCUMENT NO. SD-46113-200 SHEET NO. 2 OF 2		
		3 PLACES ± --- ± .010			CHECKED BY	DATE			
		2 PLACES ± 0.25 ± ---			MBANDURA	2008/03/14			
1 PLACE ± --- ± ---			APPROVED BY	DATE					
0 PLACE ± --- ± ---			JCOMERC I	2009/12/03	THIS DRAWING CONTAINS INFORMATION THAT IS PROPRIETARY TO MOLEX INCORPORATED AND SHOULD NOT BE USED WITHOUT WRITTEN PERMISSION				
		ANGULAR ±1/2°		MATERIAL NO. SEE CHART					
DRAFT WHERE APPLICABLE MUST REMAIN WITHIN DIMENSIONS				SIZE C					