



Chipsmall Limited consists of a professional team with an average of over 10 year of expertise in the distribution of electronic components. Based in Hongkong, we have already established firm and mutual-benefit business relationships with customers from,Europe,America and south Asia,supplying obsolete and hard-to-find components to meet their specific needs.

With the principle of “Quality Parts,Customers Priority,Honest Operation,and Considerate Service”,our business mainly focus on the distribution of electronic components. Line cards we deal with include Microchip,ALPS,ROHM,Xilinx,Pulse,ON,Everlight and Freescale. Main products comprise IC,Modules,Potentiometer,IC Socket,Relay,Connector.Our parts cover such applications as commercial,industrial, and automotives areas.

We are looking forward to setting up business relationship with you and hope to provide you with the best service and solution. Let us make a better world for our industry!



Contact us

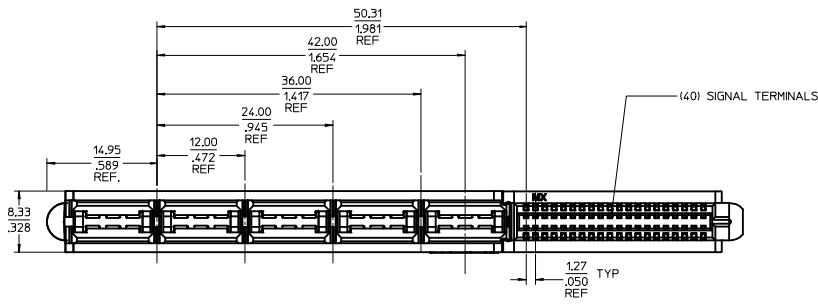
Tel: +86-755-8981 8866 Fax: +86-755-8427 6832

Email & Skype: info@chipsmall.com Web: www.chipsmall.com

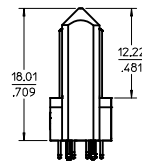
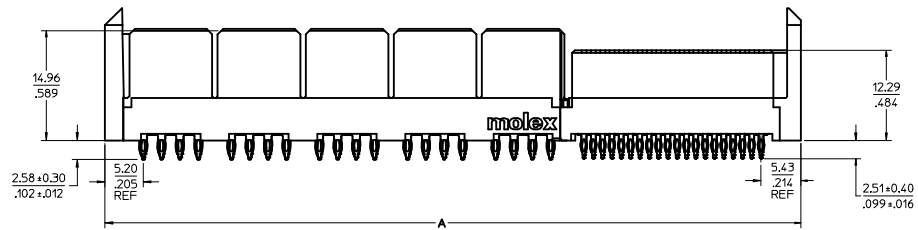
Address: A1208, Overseas Decoration Building, #122 Zhenhua RD., Futian, Shenzhen, China



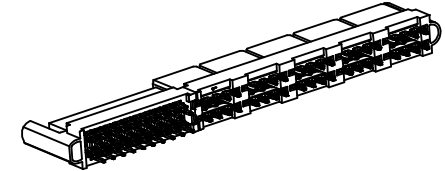
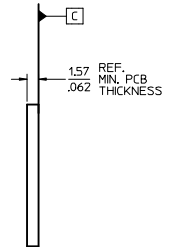
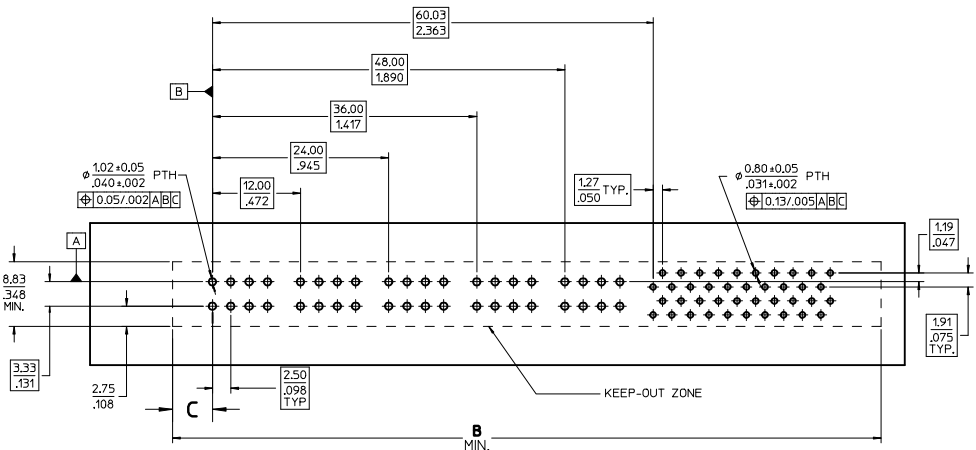
20 19 18 17 16 15 14 13 12 11 10 9 8 7 6 5 4 3 2 1



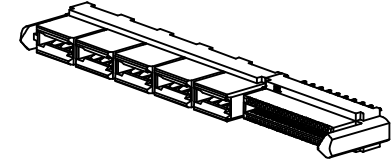
NO OF SIGNALS	MATERIAL NUMBER	COMPLIANT PIN PLATING	DIM A	DIM B	DIM C
12	46114-1012	TIN	77.01/3.032	77.51/3.052	5.45/215
	46114-1112	TIN-LEAD			
16	46114-1016	TIN	79.55/3.132	80.05/3.152	
	46114-1020	TIN			
20	46114-1120	TIN-LEAD	82.09/3.232	82.59/3.252	
	46114-1024	TIN			
24	46114-1124	TIN-LEAD	84.63/3.332	85.13/3.352	
	46114-1028	TIN			
28	46114-1128	TIN-LEAD	87.17/3.432	87.67/3.452	
	46114-1032	TIN			
32	46114-1132	TIN-LEAD	89.71/3.532	90.21/3.552	
	46114-1036	TIN			
36	46114-1136	TIN-LEAD	92.25/3.632	92.75/3.652	
	46114-1040	TIN			
40	46114-1140	TIN-LEAD	94.79/3.732	95.29/3.752	



- NOTES:
- MATERIAL: HOUSING: LCP, 94-VO, COLOR: BLACK.
POWER CONTACTS: COPPER ALLOY.
SIGNAL CONTACTS: MODIFIED TIN BRASS.
 - FINISH: SELECT GOLD - 0.75 μM/30 μ INCHES
SELECTED TIN - 2.50 μM/100 μ INCHES
OR SELECTED TIN-LEAD - 1.91 μM/75 μ INCHES
BOTH OVER NICKEL - 1.25 μM/50 μ INCHES
 - POWER TERMINALS ARE LUBRICATED IN CONTACT AREA.
 - PARTS ARE RoHS COMPLIANT.
 - MATES TO MOLEX P/N 45985-SERIES OR EDGE CARD 157/002.
 - PRODUCT SPECIFICATION PS-46114-001.
 - PACKAGING: PER PK-46114-003.



MATERIAL # 46114-1040 SHOWN
SCALE 2:1

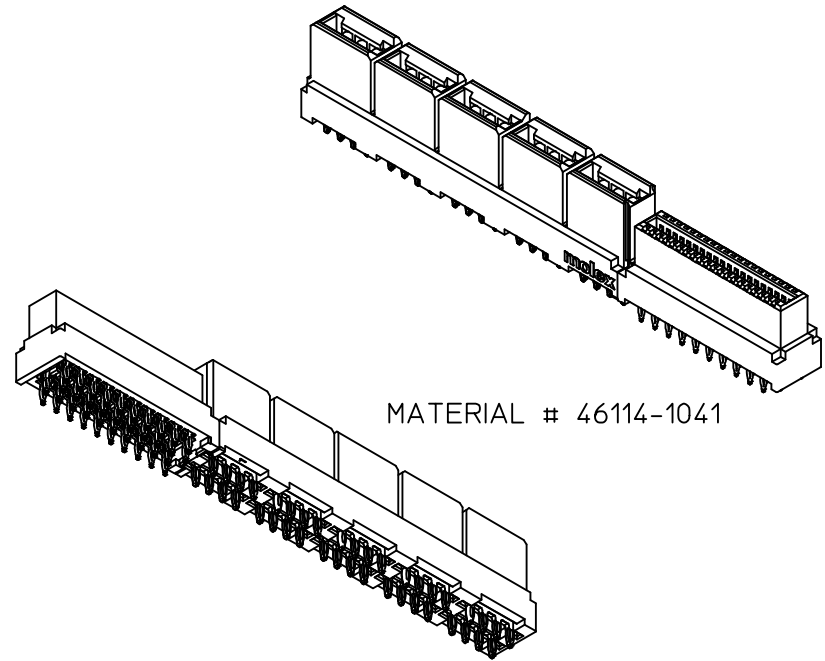
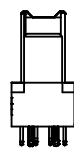
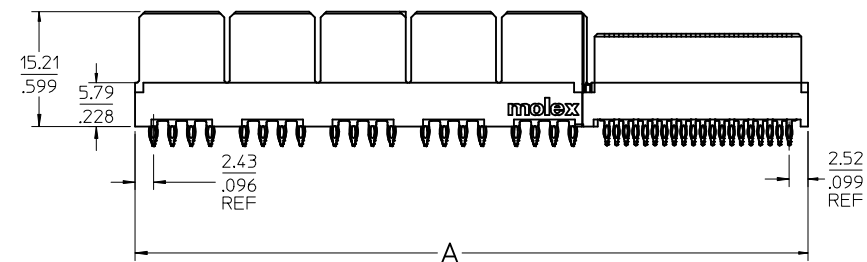
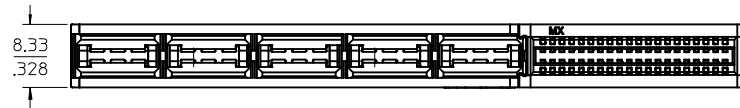


PCB COMPONENT SIDE

REV	DESCRIPTION	QUALITY SYMBOLS	GENERAL TOLERANCES (UNLESS SPECIFIED)		DIMENSION STYLE	SCALE	DESIGN UNITS	THIRD ANGLE PROJECTION	
			mm	INCH	MM/IN	2:1	METRIC		
4	PLACES	±---	±---	±---	DRAWN BY MKARADIMAS 2011/08/04	DATE	TITLE LPH VERTICAL RECEPTACLE	MATERIAL NO. SD-46114-100	
3	PLACES	±---	±.010	CHECKED BY APATEL 2011/08/05					DATE
2	PLACES	±0.25	±---						
1	PLACE	±---	±---	MOLEX INCORPORATED					DOCUMENT NO.
DRAFT WHERE APPLICABLE MUST REMAIN WITHIN DIMENSIONS			ANGULAR ±1/2°		SEE CHART			SHEET NO. 1 OF 3	
<p>OBsolete TIN-LEAD P/N</p> <p>EC NO: LCP2013-0722</p> <p>DRWN:LOULES 2012/08/21</p> <p>CHKD:MKARADIMAS 2012/01/21</p> <p>APPR:APATEL 2012/08/27</p> <p>THIS DRAWING CONTAINS INFORMATION THAT IS PROPRIETARY TO MOLEX INCORPORATED AND SHOULD NOT BE USED WITHOUT WRITTEN PERMISSION</p>									

19 18 17 16 15 14 13 12 11 10 9 8 7 6 5 4 3 2 1

NO OF SIGNALS	MATERIAL NUMBER	COMPLIANT PIN PLATING	DIM A	DIM B	DIM C
12	46114-1013	TIN	71.34/2.809	71.84/2.828	2.69/106
	46114-1113	TIN-LEAD			
16	46114-1017	TIN	73.88/2.909	74.38/2.928	
	46114-1117	TIN-LEAD			
20	46114-1021	TIN	76.42/3.009	76.92/3.028	
	46114-1121	TIN-LEAD			
24	46114-1025	TIN	78.96/3.109	79.46/3.128	
	46114-1125	TIN-LEAD			
28	46114-1029	TIN	81.50/3.209	82.00/3.228	
	46114-1129	TIN-LEAD			
32	46114-1033	TIN	84.04/3.309	84.54/3.328	
	46114-1133	TIN-LEAD			
36	46114-1037	TIN	86.58/3.409	87.08/3.428	
	46114-1137	TIN-LEAD			
40	46114-1041	TIN	89.12/3.509	89.62/3.528	
	46114-1141	TIN-LEAD			

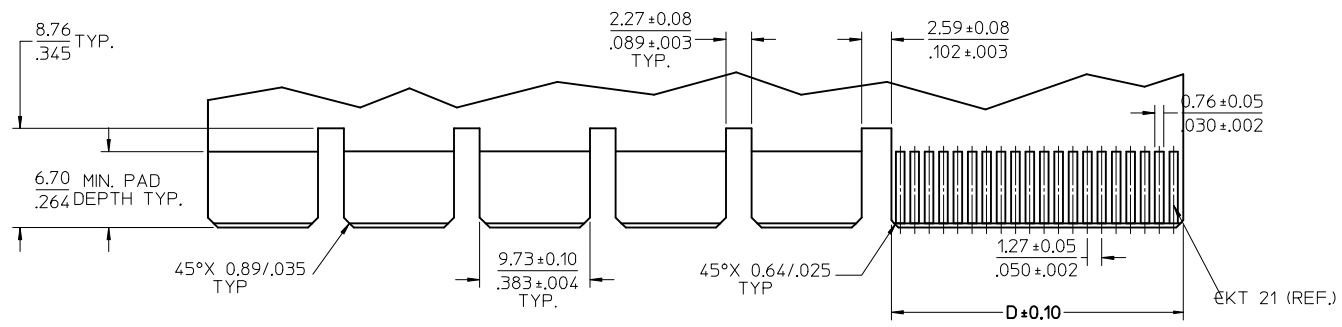
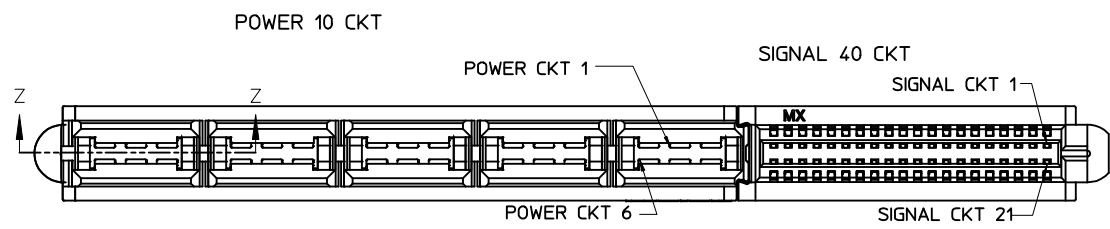


MATERIAL # 46114-1041

SEE SHT 1 EC NO: UCP2013-0722 DRAWN: JUILLES 2012/08/21 CHKD: MKARADIMAS 2012/01/21 APPR: APATEL 2012/08/27	QUALITY SYMBOLS	GENERAL TOLERANCES (UNLESS SPECIFIED)	DIMENSION STYLE MM/IN	SCALE 1:1	DESIGN UNITS METRIC	THIRD ANGLE PROJECTION	
	DESCRIPTION REV	4 PLACES ± --- ± --- 3 PLACES ± --- ± .010 2 PLACES ± 0.25 ± --- 1 PLACE ± --- ± ---	DRAWN BY: MKARADIMAS DATE: 2011/08/04 CHECKED BY: APATEL DATE: 2011/08/05 APPROVED BY: DATE:	TITLE LPH VERTICAL RECEPTACLE			
		ANGULAR ± 1/2°			MOLEX INCORPORATED		
		DRAFT WHERE APPLICABLE MUST REMAIN WITHIN DIMENSIONS			MATERIAL NO. SEE CHART	DOCUMENT NO. SD-46114-100	SHEET NO. 2 OF 3

THIS DRAWING CONTAINS INFORMATION THAT IS PROPRIETARY TO MOLEX INCORPORATED AND SHOULD NOT BE USED WITHOUT WRITTEN PERMISSION

NO OF SIGNAL	DIM. D
12	8.00/.315
16	10.54/.415
20	13.08/.515
24	15.62/.615
28	18.16/.715
32	20.70/.817
36	23.24/.915
40	25.78/1.015

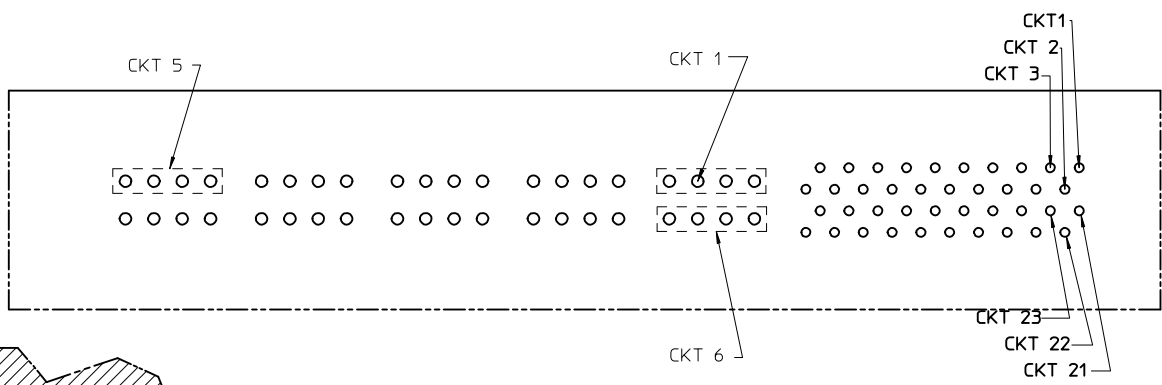


RECOMMENDED EDGE CARD LAYOUT

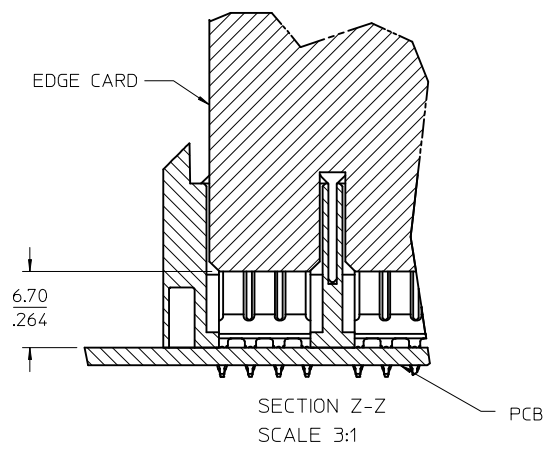
EDGE CARD THICKNESS:
1.57/.062

PLATING:
GOLD 30 μ INCHES MIN.
OVER 150 μ INCHES NICKEL.

45°X 0.38/.015 TYP



PCB LAYOUT
COMPONENT SIDE
SEE SHT 1 FOR
DIMENSIONS



SEE SHT 1 EC NO: UCP2013-0722 DRAWN: JUILLES 2012/08/21 CHKD: MKARADIMAS 2012/10/21 APPR: APATEL 2012/08/27	QUALITY SYMBOLS	GENERAL TOLERANCES (UNLESS SPECIFIED)		DIMENSION STYLE MM/IN	SCALE 3:1	DESIGN UNITS METRIC	THIRD ANGLE PROJECTION
		4 PLACES ± --- ± ---	3 PLACES ± --- ± .010	2 PLACES ± 0.25 ± ---	1 PLACE ± --- ± ---	DRAWN BY MKARADIMAS	DATE 2011/08/04
REV	DESCRIPTION	ANGULAR ±1/2°		APPROVED BY DATE		MATERIAL NO.	
		DRAFT WHERE APPLICABLE MUST REMAIN WITHIN DIMENSIONS		SEE CHART		DOCUMENT NO. SD-46114-100	
				SHEET NO. 3 OF 3		MOLEX INCORPORATED	
THIS DRAWING CONTAINS INFORMATION THAT IS PROPRIETARY TO MOLEX INCORPORATED AND SHOULD NOT BE USED WITHOUT WRITTEN PERMISSION							