



Chipsmall Limited consists of a professional team with an average of over 10 year of expertise in the distribution of electronic components. Based in Hongkong, we have already established firm and mutual-benefit business relationships with customers from,Europe,America and south Asia,supplying obsolete and hard-to-find components to meet their specific needs.

With the principle of “Quality Parts,Customers Priority,Honest Operation,and Considerate Service”,our business mainly focus on the distribution of electronic components. Line cards we deal with include Microchip,ALPS,ROHM,Xilinx,Pulse,ON,Everlight and Freescale. Main products comprise IC,Modules,Potentiometer,IC Socket,Relay,Connector.Our parts cover such applications as commercial,industrial, and automotives areas.

We are looking forward to setting up business relationship with you and hope to provide you with the best service and solution. Let us make a better world for our industry!



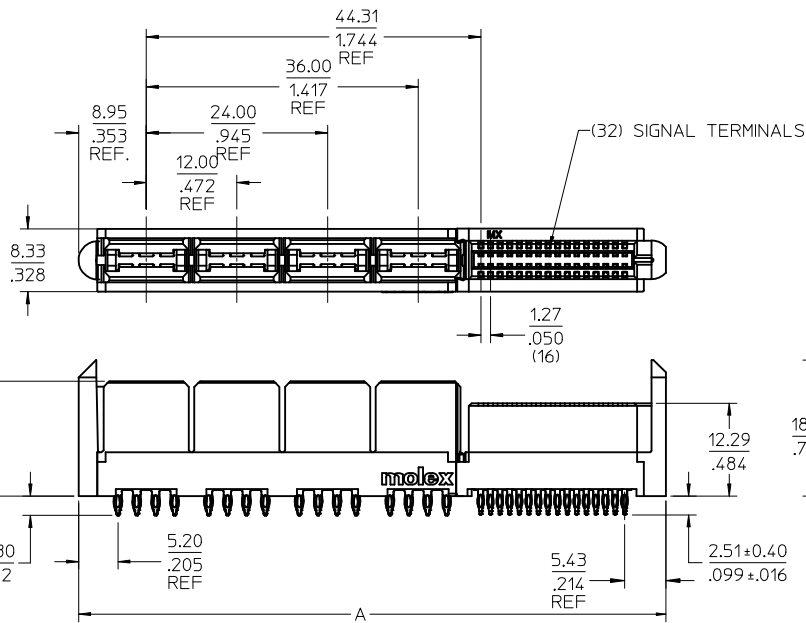
Contact us

Tel: +86-755-8981 8866 Fax: +86-755-8427 6832

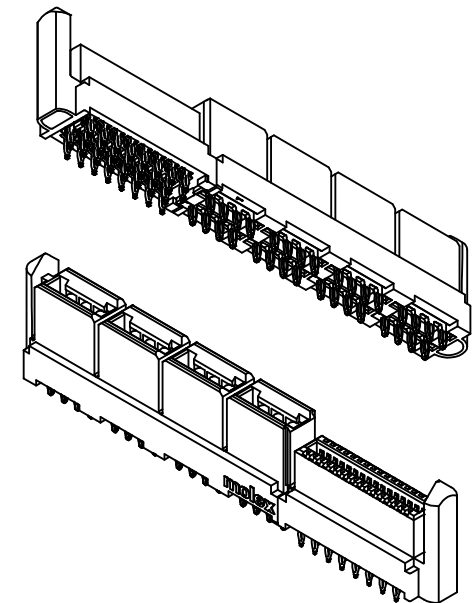
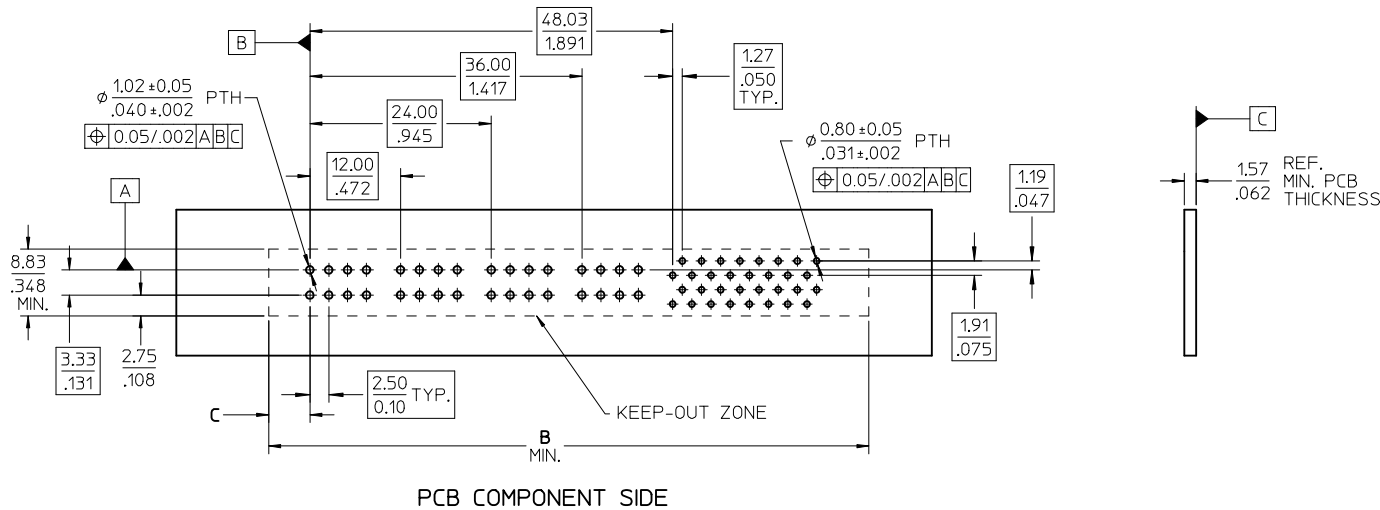
Email & Skype: info@chipsmall.com Web: www.chipsmall.com

Address: A1208, Overseas Decoration Building, #122 Zhenhua RD., Futian, Shenzhen, China





NO OF SIGNALS	MATERIAL NUMBER	COMPLIANT PIN PLATING	DIM A	DIM B	DIM C
12	46114-8120	TIN	65.01/2.559	65.51/2.579	5.45/1.215
16	46114-8160	TIN	67.55/2.659	68.05/2.679	
20	46114-8200	TIN	70.09/2.759	70.59/2.779	
24	46114-8240	TIN	72.63/2.859	73.13/2.879	
28	46114-8280	TIN	75.17/2.959	75.67/2.979	
32	46114-8320	TIN	77.71/3.059	78.21/3.079	
36	46114-8360	TIN	80.25/3.159	80.75/3.179	
40	46114-8400	TIN	82.79/3.259	83.29/3.279	

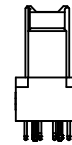
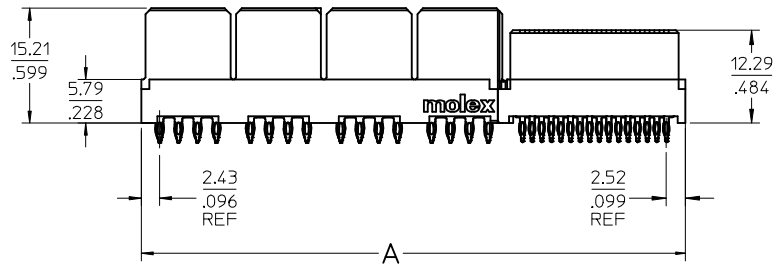
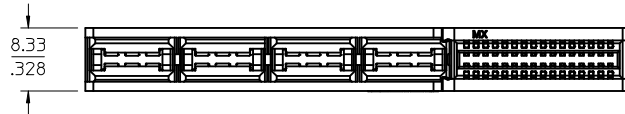
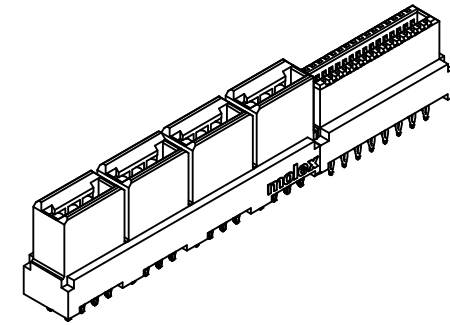
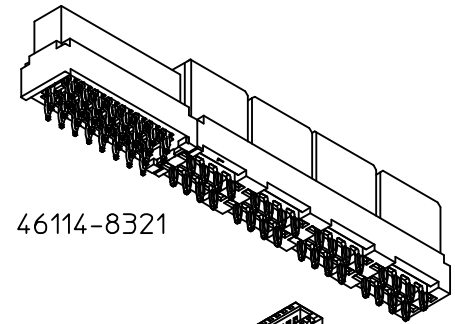


MATERIAL # 46114-8320
SHOWN

- NOTES:
1. MATERIAL: HOUSING: LCP, 94-V0, COLOR: BLACK.
POWER CONTACTS: COPPER ALLOY.
SIGNAL CONTACTS: MODIFIED TIN BRASS.
 2. FINISH: SELECT GOLD - 0.75 μ M/30 μ INCHES
SELECTED TIN - 2.50 μ M/100 μ INCHES
BOTH OVER NICKEL - 1.25 μ M/50 μ INCHES
 3. POWER TERMINALS ARE LUBRICATED IN CONTACT AREA.
 4. PARTS ARE RoHS COMPLIANT.
 5. MATES TO MOLEX P/N 45985-SERIES OR CARD EDGE 1.57/0.62.
 6. PRODUCT SPECIFICATION PS-46114-001.
 7. PACKAGING: PER PK-46114-003.

REVISE CARD EDGE EC NO: UCP2015-0571 DRW:MBANDURA 2015/02/05 CHKD: APPR:APATEL 2015/04/20	QUALITY SYMBOLS ▽=0 ▽=0	GENERAL TOLERANCES (UNLESS SPECIFIED)		DIMENSION STYLE MM/IN	SCALE 2:1	DESIGN UNITS METRIC	THIRD ANGLE PROJECTION
		4 PLACES ± --- ± --- 3 PLACES ± --- ± .010 2 PLACES ± 0.25 ± --- 1 PLACE ± --- ± --- ANGULAR ±1/2°	DRAWN BY MKARADIMAS 07/18/07 CHECKED BY APATEL 07/20/07 APPROVED BY JCOMERCI 2009/12/03	DATE DATE DATE	TITLE LPH VERTICAL RECEPTACLE COMPLIANT PIN ASSEMBLY 8CKT PWR CONN, PRESS FIT	MATERIAL NO. SEE CHART	DOCUMENT NO. SD-46114-800
DRAFT WHERE APPLICABLE MUST REMAIN WITHIN DIMENSIONS		THIS DRAWING CONTAINS INFORMATION THAT IS PROPRIETARY TO MOLEX. INCORPORATED AND SHOULD NOT BE USED WITHOUT WRITTEN PERMISSION					

MATERIAL # 46114-8321
SHOWN

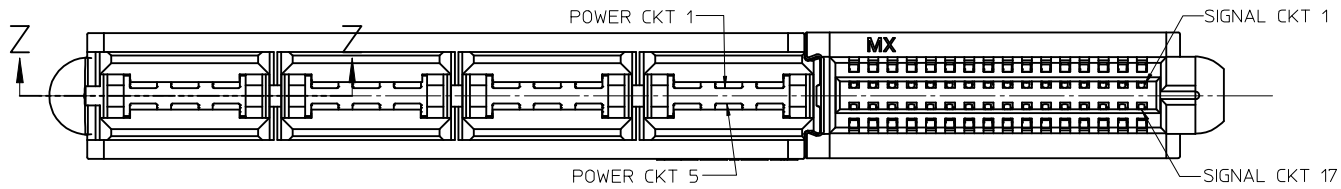


NO OF SIGNALS	MATERIAL NUMBER	COMPLIANT PIN PLATING	DIM A	DIM B	DIM C
12	46114-8121	TIN	59.34/2.336	59.84/2.356	2.69/1.106
16	46114-8161	TIN	61.88/2.436	62.38/2.456	
20	46114-8201	TIN	64.42/2.536	64.92/2.556	
24	46114-8241	TIN	66.96/2.636	67.46/2.656	
28	46114-8281	TIN	69.50/2.736	70.00/2.756	
32	46114-8321	TIN	72.04/2.836	72.54/2.856	
36	46114-8361	TIN	74.58/2.936	75.08/2.956	
40	46114-8401	TIN	77.12/3.036	77.62/3.056	

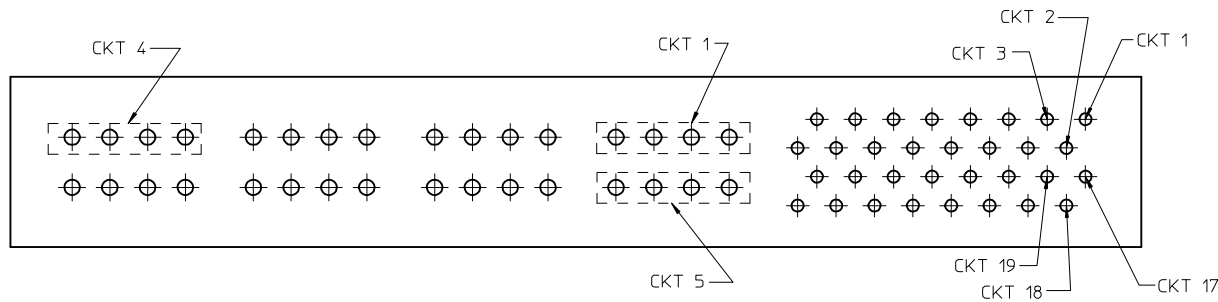
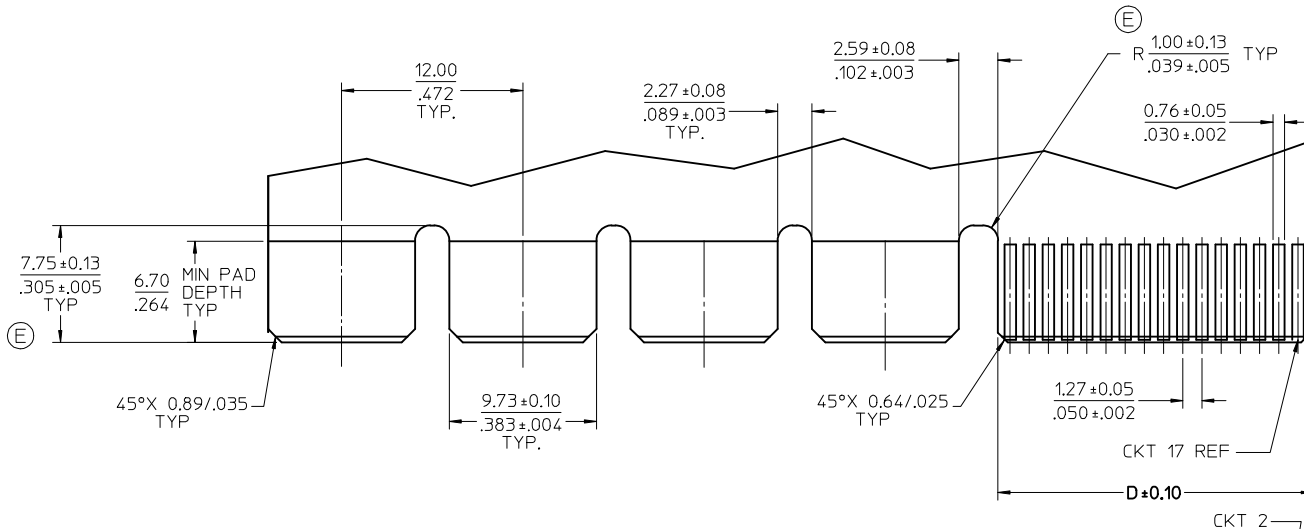
SEE SHT 1 EC NO: UCP2015-0571 DRWN:MBANDURA 2015/02/05 CHKD: APPR:APATEL 2015/04/20	QUALITY SYMBOLS	GENERAL TOLERANCES (UNLESS SPECIFIED)	DIMENSION STYLE MM/IN	SCALE 2:1	DESIGN UNITS METRIC	THIRD ANGLE PROJECTION															
		<table border="1"> <tr> <th></th> <th>mm</th> <th>INCH</th> </tr> <tr> <td>4 PLACES ±</td> <td>---</td> <td>± ---</td> </tr> <tr> <td>3 PLACES ±</td> <td>---</td> <td>± .010</td> </tr> <tr> <td>2 PLACES ±</td> <td>0.25</td> <td>± ---</td> </tr> <tr> <td>1 PLACE ±</td> <td>---</td> <td>± ---</td> </tr> </table>		mm	INCH	4 PLACES ±	---	± ---	3 PLACES ±	---	± .010	2 PLACES ±	0.25	± ---	1 PLACE ±	---	± ---	DRAWN BY MKARADIMAS	DATE 07/18/07	TITLE LPH VERTICAL RECEPTACLE COMPLIANT PIN ASSEMBLY 8CKT PWR CONN, PRESS FIT	
		mm	INCH																		
	4 PLACES ±	---	± ---																		
3 PLACES ±	---	± .010																			
2 PLACES ±	0.25	± ---																			
1 PLACE ±	---	± ---																			
		ANGULAR ±1/2°	CHECKED BY APATEL	DATE 07/20/07	APPROVED BY JCOMERC I 2009/12/03																
		DRAFT WHERE APPLICABLE MUST REMAIN WITHIN DIMENSIONS	MATERIAL NO. SEE CHART	DOCUMENT NO. SD-46114-800	SHEET NO. 2 OF 3																

POWER 8 CKT

SIGNAL 32 CKT

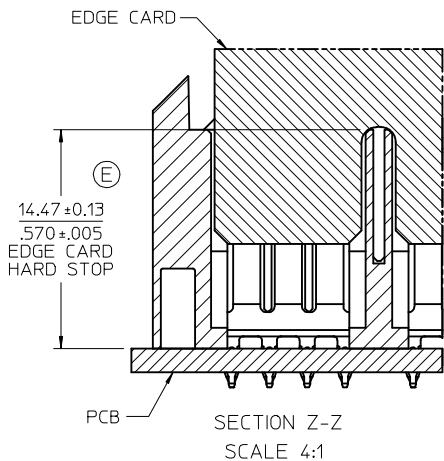


NO OF SIGNAL	DIM. D
12	8.00/.315
16	10.54/.415
20	13.08/.515
24	15.62/.615
28	18.16/.715
32	20.70/.815
36	23.24/.915
40	25.78/1.015



RECOMMENDED EDGE CARD LAYOUT
EDGE CARD THICKNESS: 1.57/.062 ± 0.15/.006
PLATING: GOLD 30 μ INCHES MIN.
OVER 150 μ INCHES NICKEL.

PCB LAYOUT: COMPONENT SIDE
SEE SHT 1 FOR DIMENSIONS



SEE SHT 1 EC NO: UCP2015-0571 DRWN: BANDURA 2015/02/05 CHKD: APPR: APATEL 2015/04/20	QUALITY SYMBOLS	GENERAL TOLERANCES (UNLESS SPECIFIED)	DIMENSION STYLE MM/IN	SCALE 4:1	DESIGN UNITS METRIC	THIRD ANGLE PROJECTION
		4 PLACES ± --- ± --- 3 PLACES ± --- ± .010 2 PLACES ± 0.25 ± --- 1 PLACE ± --- ± ---	mm INCH	DRAWN BY MKARADIMAS	DATE 07/18/07	TITLE LPH VERTICAL RECEPTACLE COMPLIANT PIN ASSEMBLY 8CKT PWR CONN, PRESS FIT
		ANGULAR ± 1/2°	APATEL	DATE 07/20/07	APPROVED BY JCOMERCI	DATE 2009/12/03
		DRAFT WHERE APPLICABLE MUST REMAIN WITHIN DIMENSIONS	SEE CHART	MATERIAL NO.	DOCUMENT NO.	SHEET NO. 3 OF 3

MOLEX INCORPORATED
SD-46114-800
THIS DRAWING CONTAINS INFORMATION THAT IS PROPRIETARY TO MOLEX INCORPORATED AND SHOULD NOT BE USED WITHOUT WRITTEN PERMISSION