



Chipsmall Limited consists of a professional team with an average of over 10 year of expertise in the distribution of electronic components. Based in Hongkong, we have already established firm and mutual-benefit business relationships with customers from,Europe,America and south Asia,supplying obsolete and hard-to-find components to meet their specific needs.

With the principle of "Quality Parts,Customers Priority,Honest Operation,and Considerate Service",our business mainly focus on the distribution of electronic components. Line cards we deal with include Microchip,ALPS,ROHM,Xilinx,Pulse,ON,Everlight and Freescale. Main products comprise IC,Modules,Potentiometer,IC Socket,Relay,Connector.Our parts cover such applications as commercial,industrial, and automotives areas.

We are looking forward to setting up business relationship with you and hope to provide you with the best service and solution. Let us make a better world for our industry!



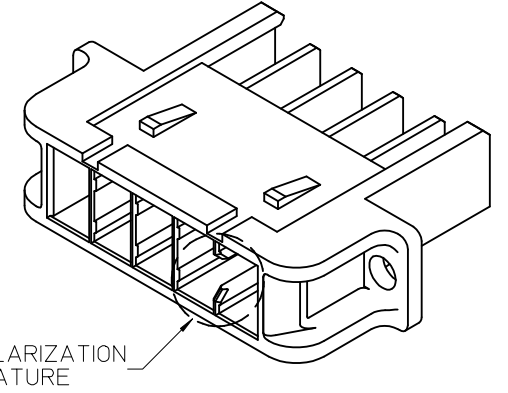
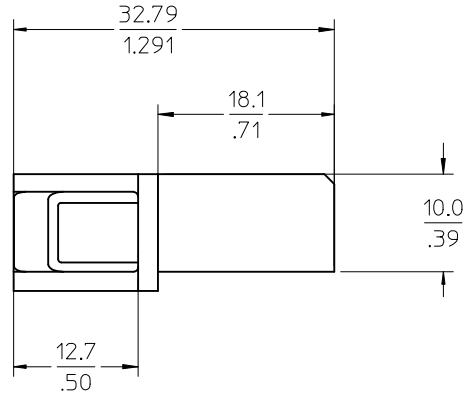
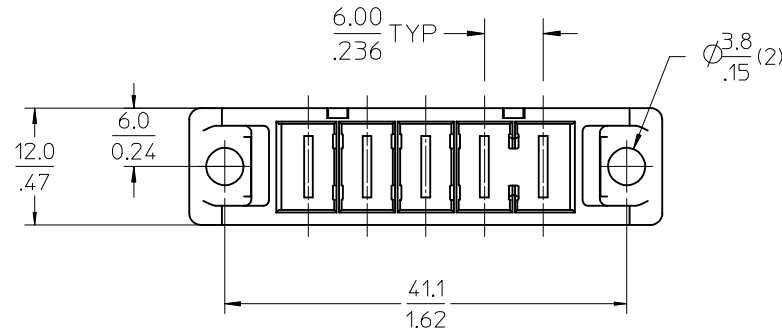
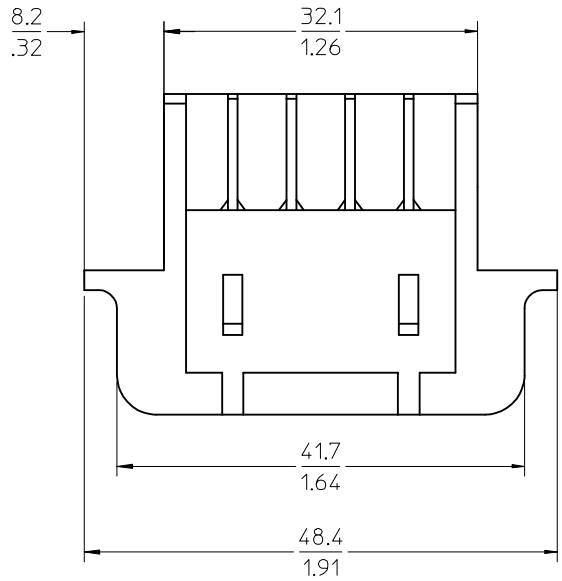
Contact us

Tel: +86-755-8981 8866 Fax: +86-755-8427 6832

Email & Skype: info@chipsmall.com Web: www.chipsmall.com

Address: A1208, Overseas Decoration Building, #122 Zhenhua RD., Futian, Shenzhen, China





- NOTES:
1. MATERIAL: HOUSING: UNFILLED, PBT 94V-0, COLOR: BLACK.
 2. HOUSING ACCEPTS MOLEX BLADE TERMINAL 44262-6*** SERIES (SEE SD-44262-026 FOR TERMINAL OPTIONS).
 3. PLUG HOUSING MATES WITH RECEPTACLE HOUSING SERIES 46396-**** (SEE SD-46396-101 FOR HOUSING OPTIONS).
 4. HOUSING REQUIRES TERMINAL POSITION LOCK. PART NUMBER 46395-0001 TO BE ORDERED SEPARATELY.
 5. HOUSING IS RoHS COMPLIANT.
 6. PACKAGED PER PK-46394-XXX.

IRVD TITLE BLK EC NO: UCP2009-1352 DRW/MDATA 2008/11/21 CHKD: 2008/11/25 APPR: APATEL 2008/11/25	QUALITY SYMBOLS	GENERAL TOLERANCES (UNLESS SPECIFIED)		DIMENSION STYLE		SCALE	DESIGN UNITS	THIRD ANGLE PROJECTION		
		mm	INCH	MM/IN		2:1	METRIC			
		4 PLACES	± ---	± ---	DRAWN BY	DATE	TITLE PLUG HOUSING 5 POSITION CONNECTOR			
		3 PLACES	± ---	± .010	BKOSTIC	2006/11/07				
	2 PLACES	± 0.25	± .013	CHECKED BY	DATE	MOLEX INCORPORATED				
	1 PLACE	± 0.33	± ---	BKOSTIC	2006/11/07					
		ANGULAR ±1/2°		APPROVED BY	DATE	DOCUMENT NO.		SHEET NO.		
		DRAFT WHERE APPLICABLE MUST REMAIN WITHIN DIMENSIONS		APATEL	2006/11/07	46394-5001		SD-46394-001		
				MATERIAL NO.		46394-5001		1 OF 1		
				SIZE		THIS DRAWING CONTAINS INFORMATION THAT IS PROPRIETARY TO MOLEX INCORPORATED AND SHOULD NOT BE USED WITHOUT WRITTEN PERMISSION				