



Chipsmall Limited consists of a professional team with an average of over 10 year of expertise in the distribution of electronic components. Based in Hongkong, we have already established firm and mutual-benefit business relationships with customers from,Europe,America and south Asia,supplying obsolete and hard-to-find components to meet their specific needs.

With the principle of "Quality Parts,Customers Priority,Honest Operation,and Considerate Service",our business mainly focus on the distribution of electronic components. Line cards we deal with include Microchip,ALPS,ROHM,Xilinx,Pulse,ON,Everlight and Freescale. Main products comprise IC,Modules,Potentiometer,IC Socket,Relay,Connector.Our parts cover such applications as commercial,industrial, and automotives areas.

We are looking forward to setting up business relationship with you and hope to provide you with the best service and solution. Let us make a better world for our industry!



Contact us

Tel: +86-755-8981 8866 Fax: +86-755-8427 6832

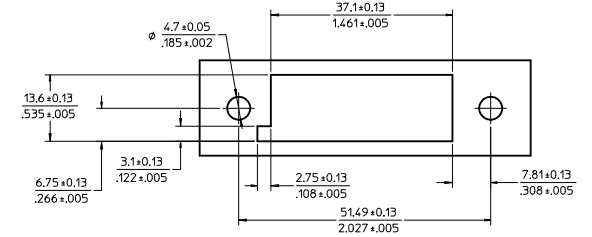
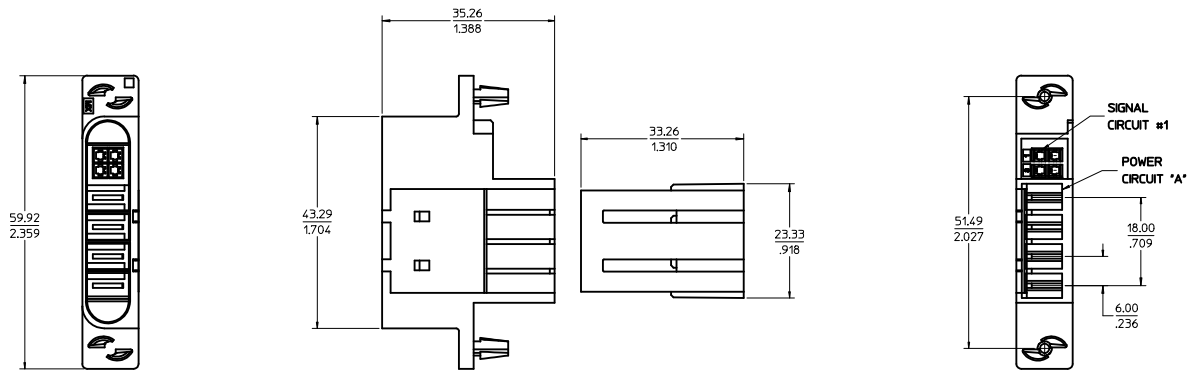
Email & Skype: info@chipsmall.com Web: www.chipsmall.com

Address: A1208, Overseas Decoration Building, #122 Zhenhua RD., Futian, Shenzhen, China



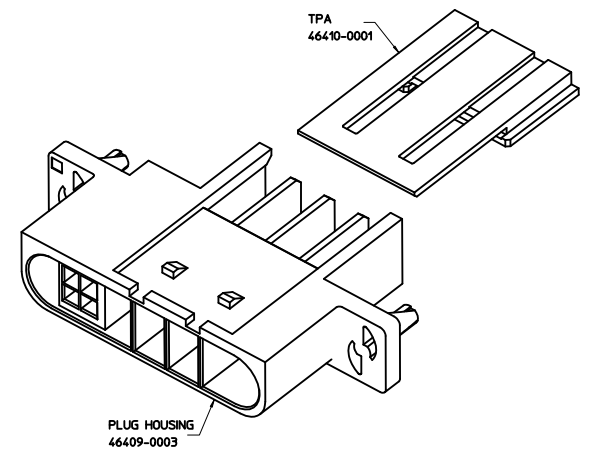
KIT PART NUMBER	HOUSING No.	TPA No.
46409-1200	46409-0003	46410-0001

REPLACING PART NO.
46409-0001



RECOMMENDED MOUNTING BRACKET CUT-OUT

PANEL THICKNESS: 1.22±0.05/.048±.002
(SEE NOTE 5)



- NOTES:
1. MATERIAL: PBT OR EQUIVALENT, 94V-0, COLOR: BLACK.
 2. HOUSING ACCEPTS MOLEX TERMINAL NUMBERS: 44262-6321 (POWER) AND 43031-0001 (SIGNAL). NOT SHOWN. SOLD SEPARATELY.
 3. PLUG MATES WITH RECEPTACLE HOUSING 46408-0003.
 4. PLUG REQUIRES INCLUDED POWER TERMINAL LOCK (TPA) 46410-0001, ALSO AVAILABLE SEPARATELY.
 5. CONNECTOR SHOULD ASSEMBLED (PRESSED IN) ON THE PUNCH-SIDE OF THE MOUNTING BRACKET.
 6. HOUSING AND ASSOCIATED COMPONENTS ARE RoHS COMPLIANT.
 7. PACKAGED PER MOLEX PACKAGING SPEC: PK-46408-***.

REV DOC NO RSD TO SD EC NO: UCF2012-1352 DRAWN: JUILLES 2011/10/27 CHKD: APATEL 2011/10/27 APPR: APATEL 2011/10/28	QUALITY SYMBOLS DESCRIPTION	GENERAL TOLERANCES (UNLESS SPECIFIED)		DIMENSION STYLE MM/IN		SCALE 1:1	DESIGN UNITS METRIC	THIRD ANGLE PROJECTION	
		4 PLACES ±.010 3 PLACES ±.010 2 PLACES ±0.25 1 PLACE ±.010	mm INCH	DRAWN BY SBOGIEL	DATE 2008/7/18	TITLE PLUG HOUSING AND TPA KIT 4 CKT POWER AND SIGNAL			
		ANGULAR ± 2 °	DRAFT WHERE APPLICABLE MUST REMAIN WITHIN DIMENSIONS	APPROVED BY APATEL	DATE 2011/10/28	MATERIAL NO. 46409-1200			
		DRAFT WHERE APPLICABLE MUST REMAIN WITHIN DIMENSIONS	SIZE D	MOLEX INCORPORATED		DOCUMENT NO. SD-46409-1200	SHEET NO. 1 OF 1		