



Chipsmall Limited consists of a professional team with an average of over 10 year of expertise in the distribution of electronic components. Based in Hongkong, we have already established firm and mutual-benefit business relationships with customers from,Europe,America and south Asia,supplying obsolete and hard-to-find components to meet their specific needs.

With the principle of "Quality Parts,Customers Priority,Honest Operation,and Considerate Service",our business mainly focus on the distribution of electronic components. Line cards we deal with include Microchip,ALPS,ROHM,Xilinx,Pulse,ON,Everlight and Freescale. Main products comprise IC,Modules,Potentiometer,IC Socket,Relay,Connector.Our parts cover such applications as commercial,industrial, and automotives areas.

We are looking forward to setting up business relationship with you and hope to provide you with the best service and solution. Let us make a better world for our industry!



Contact us

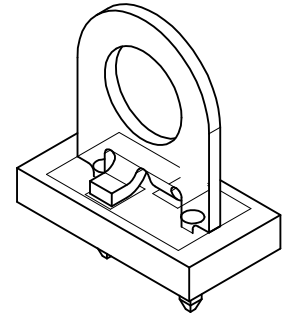
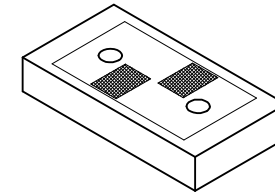
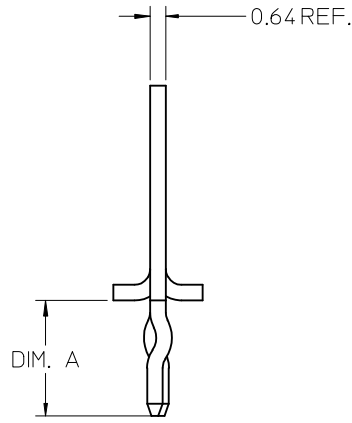
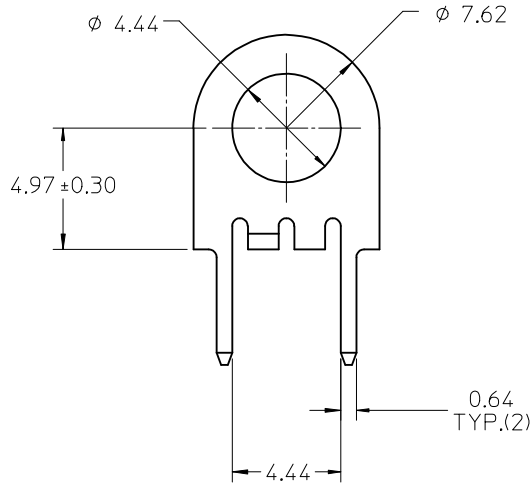
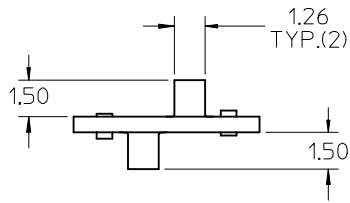
Tel: +86-755-8981 8866 Fax: +86-755-8427 6832

Email & Skype: info@chipsmall.com Web: www.chipsmall.com

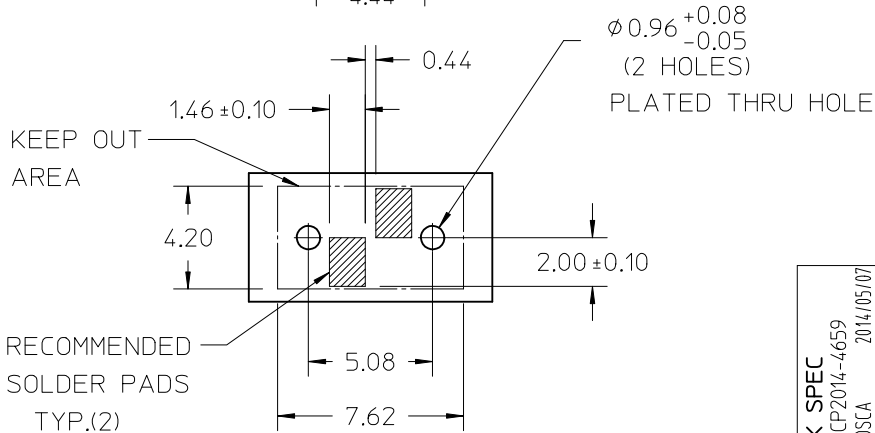
Address: A1208, Overseas Decoration Building, #122 Zhenhua RD., Futian, Shenzhen, China



MATERIAL P/N	PCB THK.	DIM. A
46548-0001	---	3.60
46548-0002	---	4.18
46548-0003	---	4.57



HEATSINK HOOK, INSTALLATION PROCESS



KEEP OUT AREA

RECOMMENDED SOLDER PADS TYP.(2)

RECOMMENDED PCB LAYOUT

NOTES:

1. MATERIAL: ALLOY 260 BRASS
2. PLATING: TIN 2.54μ OVER NICKEL 1.27μ
3. THIS PART CONFORMS TO CLASS B REQUIREMENTS OF COSMETIC SPEC PS-45499-002
4. PACKAGING SPECIFICATION PK-46548-0001

ADD PK SPEC EC NO: UCP2014-4659 DRW: DROSCA 2014/05/07 CHKD: APPR: JCOMERC I 2014/05/30	QUALITY SYMBOLS ▽=0 ▽=0	GENERAL TOLERANCES (UNLESS SPECIFIED) mm INCH 4 PLACES ± --- ± --- 3 PLACES ± --- ± --- 2 PLACES ± 0.25 ± --- 1 PLACE ± 0.5 ± --- ANGULAR ± 1/2°	DIMENSION STYLE MM ONLY DRAWN BY DATE DROSCA 04/26/2007 CHECKED BY DATE JCOMERC I 04/26/2007 APPROVED BY DATE JCOMERC I 04/26/2007	SCALE 5:1 DESIGN UNITS METRIC THIRD ANGLE PROJECTION	TITLE HEATSINK HOOK
	DRAFT WHERE APPLICABLE MUST REMAIN WITHIN DIMENSIONS		MATERIAL NO. SEE TABLE	DOCUMENT NO. MOLEX INCORPORATED SD-46548-001	SHEET NO. 1 OF 1
	THIS DRAWING CONTAINS INFORMATION THAT IS PROPRIETARY TO MOLEX INCORPORATED AND SHOULD NOT BE USED WITHOUT WRITTEN PERMISSION				
	ADD PK SPEC EC NO: UCP2014-4659 DRW: DROSCA 2014/05/07 CHKD: APPR: JCOMERC I 2014/05/30				