



Chipsmall Limited consists of a professional team with an average of over 10 year of expertise in the distribution of electronic components. Based in Hongkong, we have already established firm and mutual-benefit business relationships with customers from,Europe,America and south Asia,supplying obsolete and hard-to-find components to meet their specific needs.

With the principle of “Quality Parts,Customers Priority,Honest Operation,and Considerate Service”,our business mainly focus on the distribution of electronic components. Line cards we deal with include Microchip,ALPS,ROHM,Xilinx,Pulse,ON,Everlight and Freescale. Main products comprise IC,Modules,Potentiometer,IC Socket,Relay,Connector.Our parts cover such applications as commercial,industrial, and automotives areas.

We are looking forward to setting up business relationship with you and hope to provide you with the best service and solution. Let us make a better world for our industry!



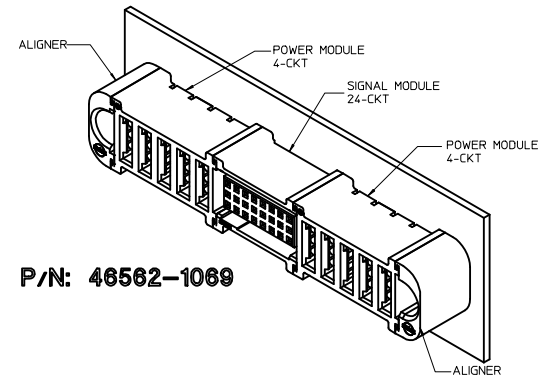
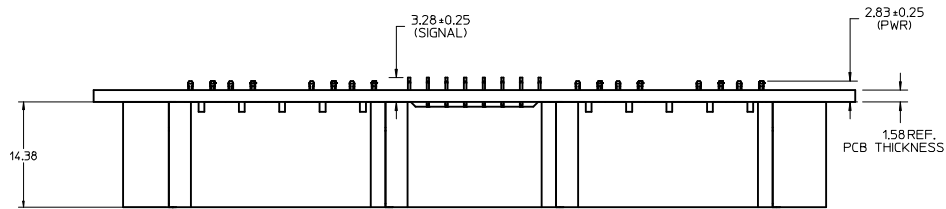
## Contact us

Tel: +86-755-8981 8866 Fax: +86-755-8427 6832

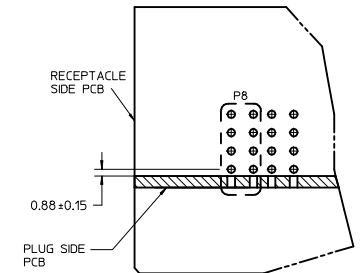
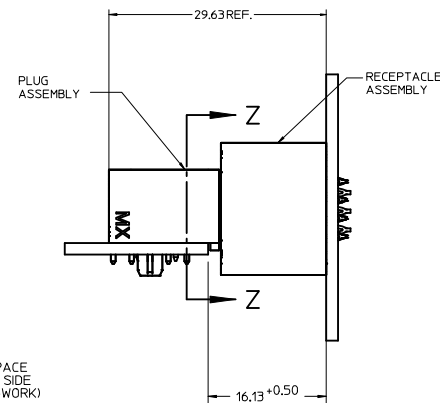
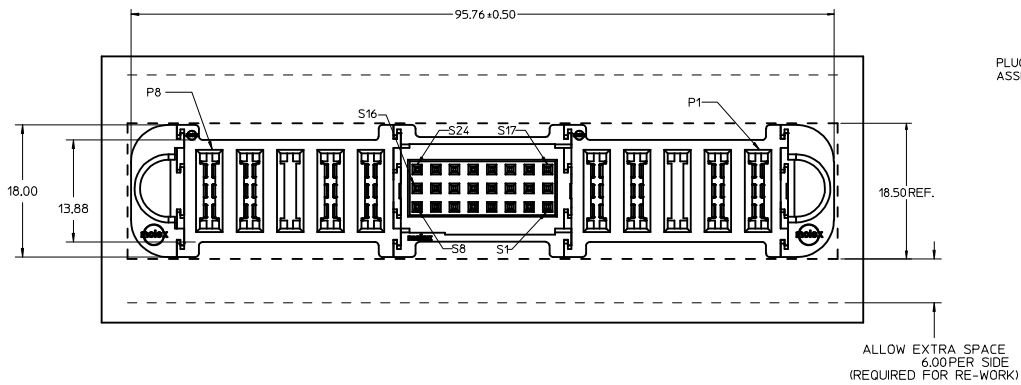
Email & Skype: info@chipsmall.com Web: www.chipsmall.com

Address: A1208, Overseas Decoration Building, #122 Zhenhua RD., Futian, Shenzhen, China

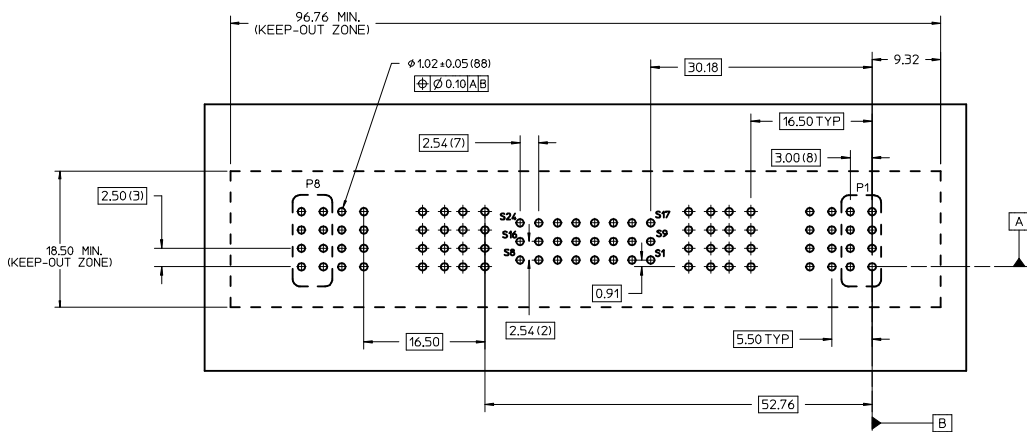




P/N: 46562-1069



PARTIAL SECTION Z-Z  
SCALE 3:1



RECOMMENDED PCB LAYOUT AND KEEP-OUT ZONE

NOTES:

1. MATERIAL:  
-HOUSINGS: LCP UL94 V-0, COLOR: BLACK.  
-TERMINALS: COPPER ALLOY.  
-PLATING: 0.000127/0.000050 NICKEL OVERALL WITH 0.00254/0.00100 SELECTIVE TIN ON COMPLIANT PINS.  
AND 0.000762/0.000030 SELECTIVE GOLD ON CONTACT AREA.
2. PACKAGING ASSEMBLIES TO BE TRAY PACKED PER PACKAGING SPEC PK-46562-XXX.
3. PRODUCT SPEC: PS-46436-100.
4. APPLICATION SPEC: AS-46436-100.
5. PRODUCT TO MEET ROHS REQUIREMENTS.
6. ASSEMBLY MATES WITH PLUG ASSEMBLY, P/N 46437-1069.

PRELIMINARY IEC NO: LCP2009-2085 DRAWN BY: BKOSTIC CHYK: 2009/03/04 APPR: APATEL 2009/03/10	QUALITY SYMBOLS	GENERAL TOLERANCES (UNLESS SPECIFIED)	DIMENSION STYLE	SCALE	DESIGN UNITS	THIRD ANGLE PROJECTION
		mm INCH	MM ONLY	3:1	METRIC	
		4 PLACES ± --- ± --- 3 PLACES ± --- ± .010 2 PLACES ± 0.25 ± .010 1 PLACE ± 0.25 ± --- ANGULAR ± 1/2°	DRAWN BY DATE BKOSTIC 2008/08/07 CHECKED BY DATE BKOSTIC 2008/05/16 APPROVED BY DATE APATEL	TITLE	VERT. RECEPT ASSY 4P-24S-4P TEN60 POWER FAMILY	
	DRAFT WHERE APPLICABLE MUST REMAIN WITHIN DIMENSIONS	MATERIAL NO. 46562-1069	DOCUMENT NO. SD-46562-169	MOLEX INCORPORATED SHEET NO. 1 OF 1		