



Chipsmall Limited consists of a professional team with an average of over 10 year of expertise in the distribution of electronic components. Based in Hongkong, we have already established firm and mutual-benefit business relationships with customers from,Europe,America and south Asia,supplying obsolete and hard-to-find components to meet their specific needs.

With the principle of “Quality Parts,Customers Priority,Honest Operation,and Considerate Service”,our business mainly focus on the distribution of electronic components. Line cards we deal with include Microchip,ALPS,ROHM,Xilinx,Pulse,ON,Everlight and Freescale. Main products comprise IC,Modules,Potentiometer,IC Socket,Relay,Connector.Our parts cover such applications as commercial,industrial, and automotives areas.

We are looking forward to setting up business relationship with you and hope to provide you with the best service and solution. Let us make a better world for our industry!



Contact us

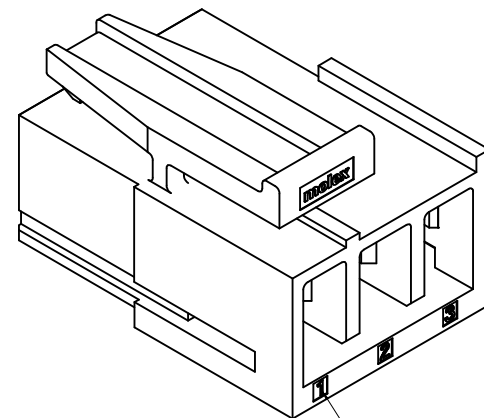
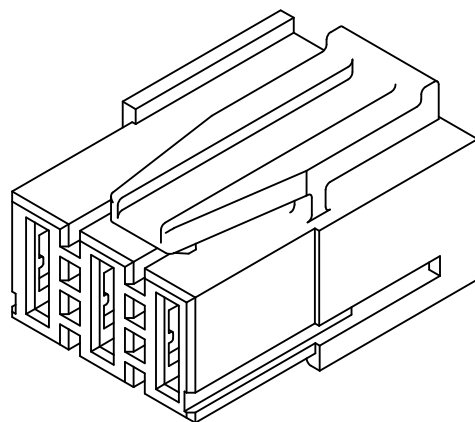
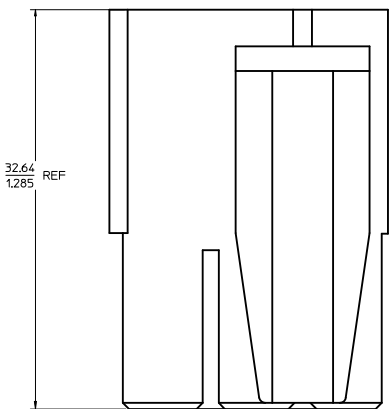
Tel: +86-755-8981 8866 Fax: +86-755-8427 6832

Email & Skype: info@chipsmall.com Web: www.chipsmall.com

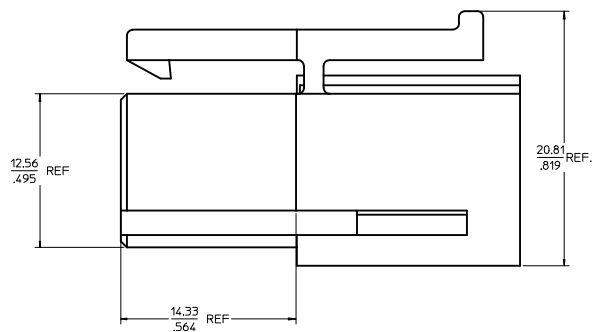
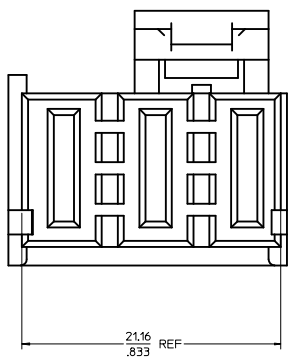
Address: A1208, Overseas Decoration Building, #122 Zhenhua RD., Futian, Shenzhen, China



20 19 18 17 16 15 14 13 12 11 10 9 8 7 6 5 4 3 2 1



INDICATES
CKT NUMBER

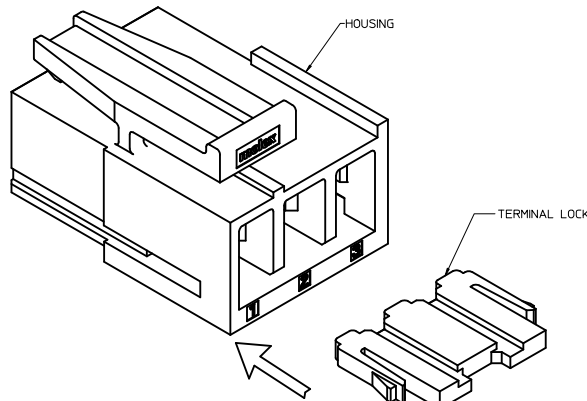
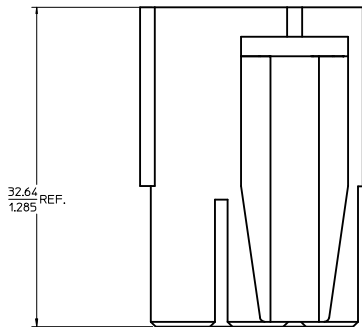


NOTES:

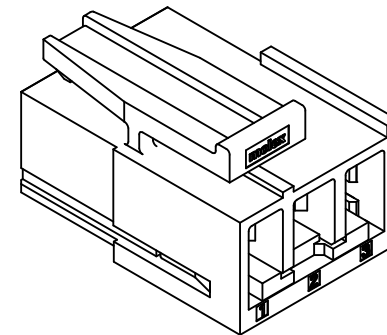
1. MATERIAL:
-HOUSING: HIGH TEMPERATURE PLASTIC BLACK UL-94V-0 (PBT)
2. HOUSING PACKED BULK, MIN ORDER QTY: 100
3. HARNESS HOUSING DESIGN FOR 44262-**** TERMINALS, REFER TO MOLEX DRAWING SD-44262-026
4. PRODUCT MEETS RoHS REQUIREMENTS
5. HARNESS REQUIRES TERMINAL LOCK P/N: 46641-0003, SOLD SEPARATELY
6. MATES TO 76546-0004 TO -0007

REV DOCUMENT NO IEC NO: UCP2011-3253 DRAWN: JUILLES 2011/04/26 CHKD: APATEL 2011/04/26 APPR: APATEL 2011/04/27	QUALITY SYMBOLS DESCRIPTION	GENERAL TOLERANCES (UNLESS SPECIFIED)		DIMENSION STYLE MM/IN	SCALE 4:1	DESIGN UNITS METRIC	THIRD ANGLE PROJECTION
		4 PLACES ±.010 ±.010 3 PLACES ±.010 ±.010 2 PLACES ±0.25 ±.010 1 PLACE ±0.25 ±.010	mm INCH	DRAWN BY DATE BKOSTIC 2008/01/28	TITLE 3 CKT AC HARNESS HOUSING TEN60 WIRE		
		ANGULAR ±1/2°	APPROVED BY DATE APATEL 2011/04/27	MATERIAL NO. 46586-0003	DOCUMENT NO. SD-46586-003		
		DRAFT WHERE APPLICABLE MUST REMAIN WITHIN DIMENSIONS	SIZE D	THIS DRAWING CONTAINS INFORMATION THAT IS PROPRIETARY TO MOLEX INCORPORATED AND SHOULD NOT BE USED WITHOUT WRITTEN PERMISSION			

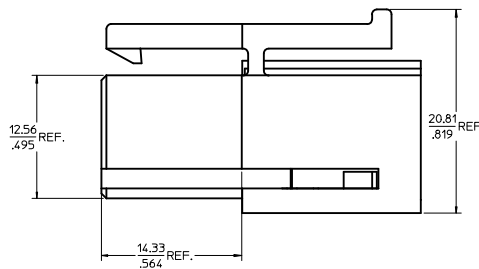
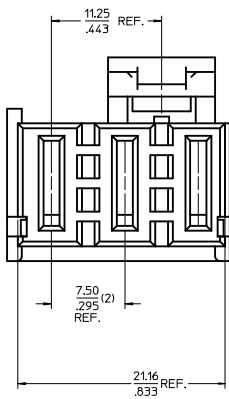
10_of_10 19 18 17 16 15 14 13 12 11 10 9 8 7 6 5 4 3 2 1



TERMINAL LOCK LOADING DIRECTION
(TERMINAL LOCK INCLUDED IN THE KIT)



TERMINAL LOCK FULLY SITTED



NOTES:

1. MATERIAL:
-HOUSING: HIGH TEMPERATURE PLASTIC BLACK UL-94V-0 (PBTF).
-HARNESS KIT PACKED PER PACKAGING SPEC PK-46586-100.
2. HARNESS HOUSING DESIGN FOR 44262-**** TERMINALS SEE CHART:

USE FOR MATING WITH GOLD PLATED PLUG ASSY ONLY		
P/N:	WIRE SIZE:	PLATING
44262-4632	10/12 OR 2x14	100μ INCHES OF BRIGHT SELECT TIN OVER 50μ INCHES OF NICKEL OVERALL WITH 30μ INCHES OF SELECT GOLD (AT CONTACT)
44262-4636	14/16	

USE FOR MATING WITH TIN PLATED PLUG ASSY ONLY		
P/N:	WIRE SIZE:	PLATING
44262-4402	10/12 OR 2x14	100μ INCHES OF TIN OVER 50μ INCHES OF NICKEL OVERALL
44262-4406	14/16	

REFER TO MOLEX DRAWING SD-44262-100 FOR DETAILS.

4. PRODUCT MEETS RoHS REQUIREMENTS.
5. FOR MATING ASSEMBLY PLEASE CONTACT MOLEX FOR DETAILS.

HARNESS KIT P/N:	ONLY 3CKT HOUSING P/N:	ONLY TERMINAL LOCK P/N:
46586-1003	46586-0003	46641-0003

NOTE: IEC NO: UCF2011-0070 DRAWN: BKOSTIC 2010/08/13 CHKD: BKOSTIC APPR: APATEL 2010/12/16 REV: 1 DESCRIPTION:	QUALITY SYMBOLS	GENERAL TOLERANCES (UNLESS SPECIFIED)	DIMENSION STYLE	SCALE	DESIGN UNITS	THIRD ANGLE PROJECTION
		mm INCH	MM/IN	4:1	METRIC	
		4 PLACES ± .010	4:1			
		3 PLACES ± .010				
	2 PLACES ± 0.25 ± .010					
	1 PLACE ± 0.25 ± .010					
	ANGULAR ± 1/2°					
	DRAFT WHERE APPLICABLE MUST REMAIN WITHIN DIMENSIONS					
			DRAWN BY: BKOSTIC CHECKED BY: BKOSTIC APPROVED BY: APATEL DATE: 2010/12/16	DATE: 2008/01/28 DATE: 2008/01/28	TITLE: 3CKT AC HARNESS KIT TEN60 WIRE	MATERIAL NO: 46586-1003 DOCUMENT NO: SD-46586-103
			MOLEX INCORPORATED			SHEET NO: 1 OF 1
			THIS DRAWING CONTAINS INFORMATION THAT IS PROPRIETARY TO MOLEX INCORPORATED AND SHOULD NOT BE USED WITHOUT WRITTEN PERMISSION			