



Chipsmall Limited consists of a professional team with an average of over 10 year of expertise in the distribution of electronic components. Based in Hongkong, we have already established firm and mutual-benefit business relationships with customers from,Europe,America and south Asia,supplying obsolete and hard-to-find components to meet their specific needs.

With the principle of “Quality Parts,Customers Priority,Honest Operation,and Considerate Service”,our business mainly focus on the distribution of electronic components. Line cards we deal with include Microchip,ALPS,ROHM,Xilinx,Pulse,ON,Everlight and Freescale. Main products comprise IC,Modules,Potentiometer,IC Socket,Relay,Connector.Our parts cover such applications as commercial,industrial, and automotives areas.

We are looking forward to setting up business relationship with you and hope to provide you with the best service and solution. Let us make a better world for our industry!



Contact us

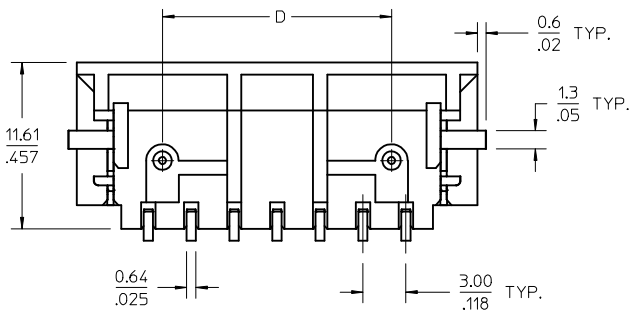
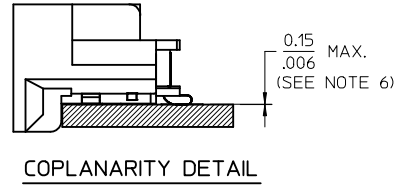
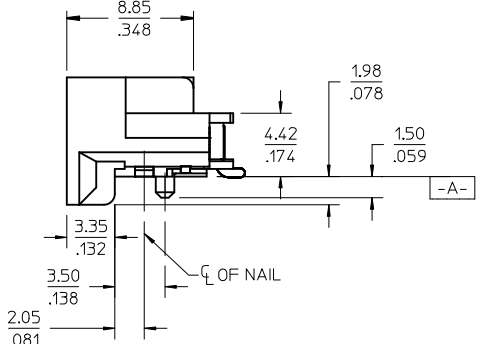
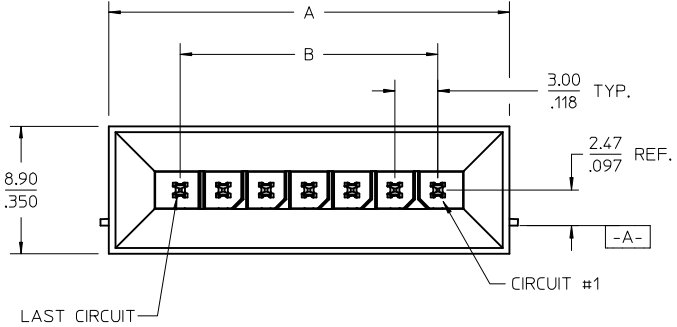
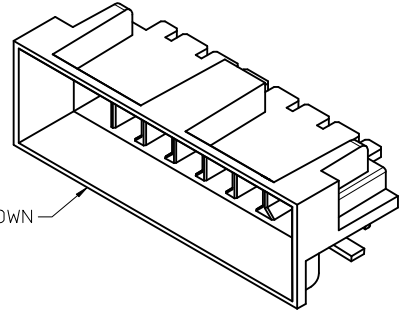
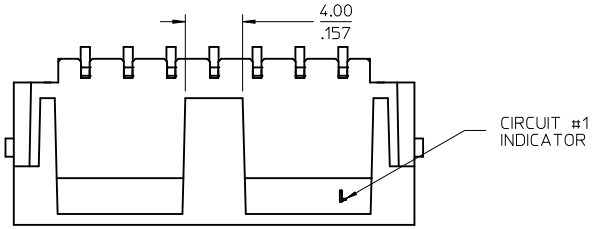
Tel: +86-755-8981 8866 Fax: +86-755-8427 6832

Email & Skype: info@chipsmall.com Web: www.chipsmall.com

Address: A1208, Overseas Decoration Building, #122 Zhenhua RD., Futian, Shenzhen, China



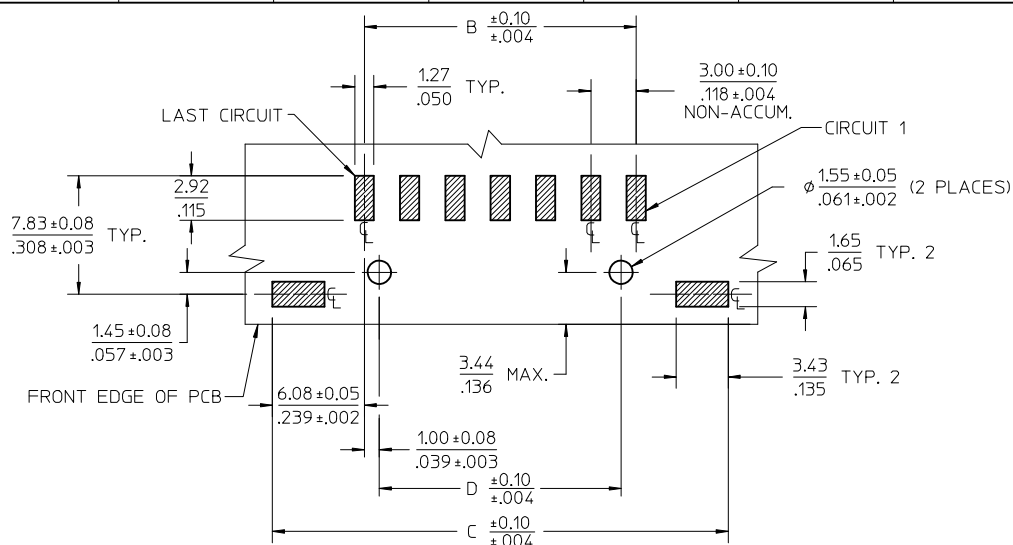
13 12 11 10 9 8 7 6 5 4 3 2 1



- NOTES:
- MATERIALS -
HOUSING: LCP, GLASS FILLED, UL94V-0, COLOR - BLACK
TERMINAL: BRASS ALLOY
 - FINISH:
A = 0.00152/.000060 MIN REFLOWED MATTE TIN OVER 0.00127/.000050 MIN NICKEL (FINISH IS BRIGHT IN APPEARANCE. THICKNESS AS APPLIED PRIOR TO REFLOW.)
B = 0.00038/.000015 MIN. SELECT GOLD IN CONTACT AREA.
0.00254/.000100 MIN. SELECT MATTE TIN ON SOLDER TAILS.
BOTH OVER 0.00127/.000050 MIN. NICKEL.
C = 0.00076/.000030 MIN. SELECT GOLD IN CONTACT AREA;
0.00254/.000100 MIN. SELECT MATTE TIN ON SOLDER TAILS;
BOTH OVER 0.00127/.000050 MIN. NICKEL.
 - PRODUCT SPECIFICATION: PS-44300-001
 - PACKAGING SPECIFICATION: TAPE AND REEL PACKAGED PER PK-46622-001
 - THIS ASSEMBLY MATES WITH MOLEX BMI SINGLE ROW PANEL MOUNT RECEPTACLE (SEE DRAWING SD-46623-001) AND FEMALE CRIMP TERMINAL (SEE DRAWING SD-43030-**** OR SD-46235-001).
 - THE COPLANARITY DIMENSION IS ESTABLISHED BY PLACING THE ASSEMBLY ON A FLAT SURFACE. THE DISTANCE FROM THAT SURFACE TO THE BOTTOM OF ANY TERMINAL OR NAIL MUST NOT EXCEED 0.15/.006.
 - THIS PART CONFORMS TO CLASS B REQUIREMENTS OF COSMETIC SPECIFICATION PS-45499-002.

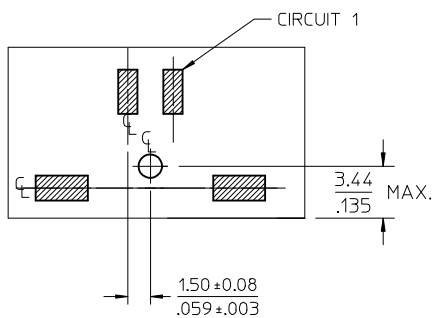
SEE PCB LAYOUTS SHT. 2

ADD PCB LAYOUTS EC NO: UCP2017-1972 DRWN: JSCHAFFER 2016/03/02 CHKD: APPR: FSMITH 2017/06/28 REV	QUALITY SYMBOLS	GENERAL TOLERANCES (UNLESS SPECIFIED)	DIMENSION STYLE MM/IN	SCALE 4:1	DESIGN UNITS METRIC	THIRD ANGLE PROJECTION
	▽=0	mm INCH	DRAWN BY DATE	TITLE	MICRO-FIT (3.0) BMI SINGLE ROW 2-12 CKTS SMT HEADER - NAIL molex	
	▽=0	4 PLACES ± --- ± ---	JSCHAFFER 2016/03/02	SD-46622-0000		
	▽=0	3 PLACES ± --- ± .010	CHECKED BY DATE	APPROVED BY DATE	MATERIAL NO.	DOCUMENT NO.
▽=0	2 PLACES ± 0.25 ± .015	APPROVED BY DATE	FSMITH 2017/06/28	SD-46622-0000	1 OF 2	
	1 PLACE ± 0.38 ± ---	DRAFT WHERE APPLICABLE MUST REMAIN WITHIN DIMENSIONS	SIZE C	THIS DRAWING CONTAINS INFORMATION THAT IS PROPRIETARY TO MOLEX INCORPORATED AND SHOULD NOT BE USED WITHOUT WRITTEN PERMISSION		



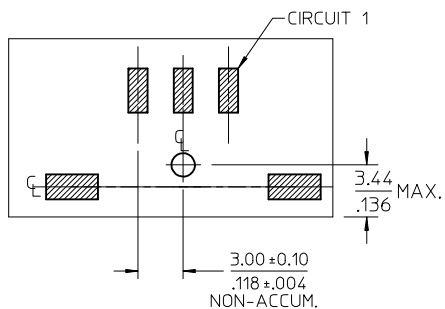
PCB LAYOUT: COMPONENT SIDE

4-12 CKT CONFIGURATION



2 CKT CONFIGURATION

SEE 4-12 CKT LAYOUT FOR ADDITIONAL DIMENSIONS



3 CKT CONFIGURATION

SEE 4-12 CKT LAYOUT FOR ADDITIONAL DIMENSIONS

CIRCUIT SIZE	MATERIAL NUMBER	PLATING OPTION	A	B	C	D
02	46622-0200	A	13.00	3.00	15.16	N/A
	46622-0201	B	.512	.118	.597	N/A
	46622-0202	C				
03	46622-0300	A	16.00	6.00	18.16	N/A
	46622-0301	B	.630	.236	.715	N/A
	46622-0302	C				
04	46622-0400	A	19.00	9.00	21.16	7.00
	46622-0401	B	.748	.354	.833	.276
	46622-0402	C				
05	46622-0500	A	22.00	12.00	24.16	10.00
	46622-0501	B	.866	.472	.951	.394
	46622-0502	C				
06	46622-0600	A	25.00	15.00	27.16	13.00
	46622-0601	B	.984	.591	1.069	.512
	46622-0602	C				
07	46622-0700	A	28.00	18.00	30.16	16.00
	46622-0701	B	1.102	.709	1.187	.630
	46622-0702	C				
08	46622-0800	A	31.00	21.00	33.16	19.00
	46622-0801	B	1.220	.827	1.306	.748
	46622-0802	C				
09	46622-0900	A	34.00	24.00	36.16	22.00
	46622-0901	B	1.339	.945	1.424	.866
	46622-0902	C				
10	46622-1000	A	37.00	27.00	39.16	25.00
	46622-1001	B	1.457	1.063	1.542	.984
	46622-1002	C				
11	46622-1100	A	40.00	30.00	42.16	28.00
	46622-1101	B	1.575	1.181	1.660	1.102
	46622-1102	C				
12	46622-1200	A	43.00	33.00	45.16	31.00
	46622-1201	B	1.693	1.299	1.778	1.220
	46622-1202	C				

SEE SHT 1 EC NO: UCP2017-1972 DRWN: JSCHAER 2016/03/02 CHKD: JSCHAER APPR: FSMITH 2017/06/28	QUALITY SYMBOLS ▽=0 ▽=0 ▽=0	GENERAL TOLERANCES (UNLESS SPECIFIED) <table border="1"> <tr> <th></th> <th>mm</th> <th>INCH</th> </tr> <tr> <td>4 PLACES ±</td> <td>---</td> <td>---</td> </tr> <tr> <td>3 PLACES ±</td> <td>---</td> <td>±.010</td> </tr> <tr> <td>2 PLACES ±</td> <td>0.25</td> <td>±.015</td> </tr> <tr> <td>1 PLACE ±</td> <td>0.38</td> <td>---</td> </tr> <tr> <td>0 PLACE ±</td> <td>---</td> <td>---</td> </tr> </table>		mm	INCH	4 PLACES ±	---	---	3 PLACES ±	---	±.010	2 PLACES ±	0.25	±.015	1 PLACE ±	0.38	---	0 PLACE ±	---	---	DIMENSION STYLE MM/IN DRAWN BY: JSCHAER DATE: 2016/03/02 CHECKED BY: DATE:	SCALE 4:1 DESIGN UNITS METRIC	THIRD ANGLE PROJECTION
		mm	INCH																				
	4 PLACES ±	---	---																				
	3 PLACES ±	---	±.010																				
2 PLACES ±	0.25	±.015																					
1 PLACE ±	0.38	---																					
0 PLACE ±	---	---																					
		ANGULAR ±1/2° DRAFT WHERE APPLICABLE MUST REMAIN WITHIN DIMENSIONS	APPROVED BY: FSMITH DATE: 2017/06/28 MATERIAL NO.	TITLE MICRO-FIT (3.0) BMI SINGLE ROW 2-12 CKTS SMT HEADER - NAIL molex	SHEET NO. 2 OF 2																		
			SEE CHART	DOCUMENT NO. SD-46622-0000																			
			SIZE C	THIS DRAWING CONTAINS INFORMATION THAT IS PROPRIETARY TO MOLEX INCORPORATED AND SHOULD NOT BE USED WITHOUT WRITTEN PERMISSION																			