



Chipsmall Limited consists of a professional team with an average of over 10 year of expertise in the distribution of electronic components. Based in Hongkong, we have already established firm and mutual-benefit business relationships with customers from,Europe,America and south Asia,supplying obsolete and hard-to-find components to meet their specific needs.

With the principle of “Quality Parts,Customers Priority,Honest Operation,and Considerate Service”,our business mainly focus on the distribution of electronic components. Line cards we deal with include Microchip,ALPS,ROHM,Xilinx,Pulse,ON,Everlight and Freescale. Main products comprise IC,Modules,Potentiometer,IC Socket,Relay,Connector.Our parts cover such applications as commercial,industrial, and automotives areas.

We are looking forward to setting up business relationship with you and hope to provide you with the best service and solution. Let us make a better world for our industry!



## Contact us

Tel: +86-755-8981 8866 Fax: +86-755-8427 6832

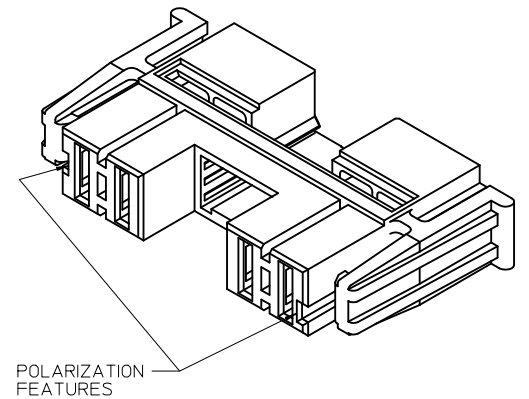
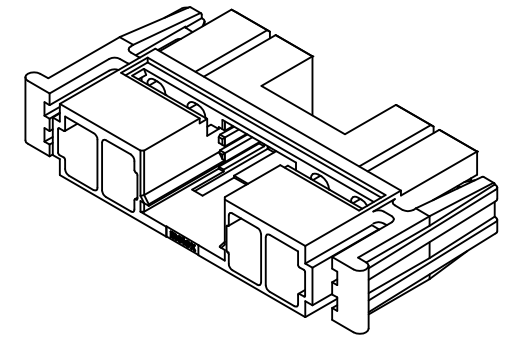
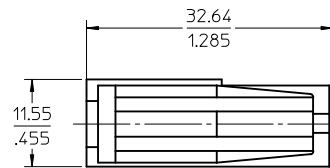
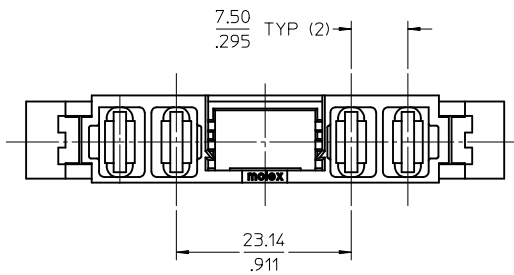
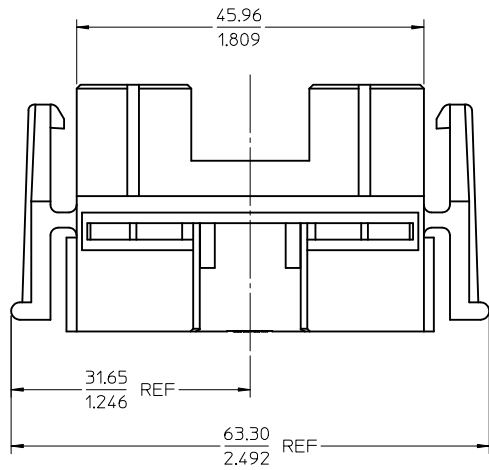
Email & Skype: info@chipsmall.com Web: www.chipsmall.com

Address: A1208, Overseas Decoration Building, #122 Zhenhua RD., Futian, Shenzhen, China



NOTES:

1. MATERIAL: 94V0 - COLOR BLACK
2. HOUSING FOR USE WITH:  
POWER TERMINAL SERIES 44262-4XXX  
SIGNAL TERMINAL 70058-XXXX  
SIGNAL HOUSING P/N 46709-XXX5  
REQUIRES TPA 46708-0001
3. PRODUCT SPECIFICATION: PS-44262-200
4. HOUSING IS ROHS COMPLIANT
5. HOUSING MATES WITH PLUG ASSEMBLY 46437-1023
6. MAXIMUM ALLOWABLE WIRE DIAMETER FOR POWER TERMINALS IS 6.35/.250



<b>REV DOCUMENT NO</b> EC NO: UCP2011-3253 DRWN:MDATA 2009/02/12 CHKD:APATEL 2011/04/20 APPR:APATEL 2011/04/27	<b>DESCRIPTION</b> REV: B	<b>QUALITY SYMBOLS</b> ∇=0 ∇=0 ∇=0	<b>GENERAL TOLERANCES (UNLESS SPECIFIED)</b>		<b>DIMENSION STYLE</b> MM/IN	SCALE 2:1	DESIGN UNITS METRIC	THIRD ANGLE PROJECTION
		4 PLACES ± --- ± --- 3 PLACES ± --- ± .010 2 PLACES ± 0.25 ± .014 1 PLACE ± 0.36 ± ---	mm INCH	DRAWN BY DATE JQUILES 2008/02/27	CHECKED BY DATE MDATA 2008/02/28	TITLE HOUSING - RECEPTACLE TEN60 WIRE HALOGEN FREE		
		ANGULAR ±1/2°	APPROVED BY DATE APATEL 2011/04/27	MATERIAL NO. 46707-0001	DOCUMENT NO. SD-46707-001	SHEET NO. 1 OF 1		
		DRAFT WHERE APPLICABLE MUST REMAIN WITHIN DIMENSIONS	SIZE C	THIS DRAWING CONTAINS INFORMATION THAT IS PROPRIETARY TO MOLEX INCORPORATED AND SHOULD NOT BE USED WITHOUT WRITTEN PERMISSION				