



Chipsmall Limited consists of a professional team with an average of over 10 year of expertise in the distribution of electronic components. Based in Hongkong, we have already established firm and mutual-benefit business relationships with customers from,Europe,America and south Asia,supplying obsolete and hard-to-find components to meet their specific needs.

With the principle of “Quality Parts,Customers Priority,Honest Operation,and Considerate Service”,our business mainly focus on the distribution of electronic components. Line cards we deal with include Microchip,ALPS,ROHM,Xilinx,Pulse,ON,Everlight and Freescale. Main products comprise IC,Modules,Potentiometer,IC Socket,Relay,Connector.Our parts cover such applications as commercial,industrial, and automotives areas.

We are looking forward to setting up business relationship with you and hope to provide you with the best service and solution. Let us make a better world for our industry!



Contact us

Tel: +86-755-8981 8866 Fax: +86-755-8427 6832

Email & Skype: info@chipsmall.com Web: www.chipsmall.com

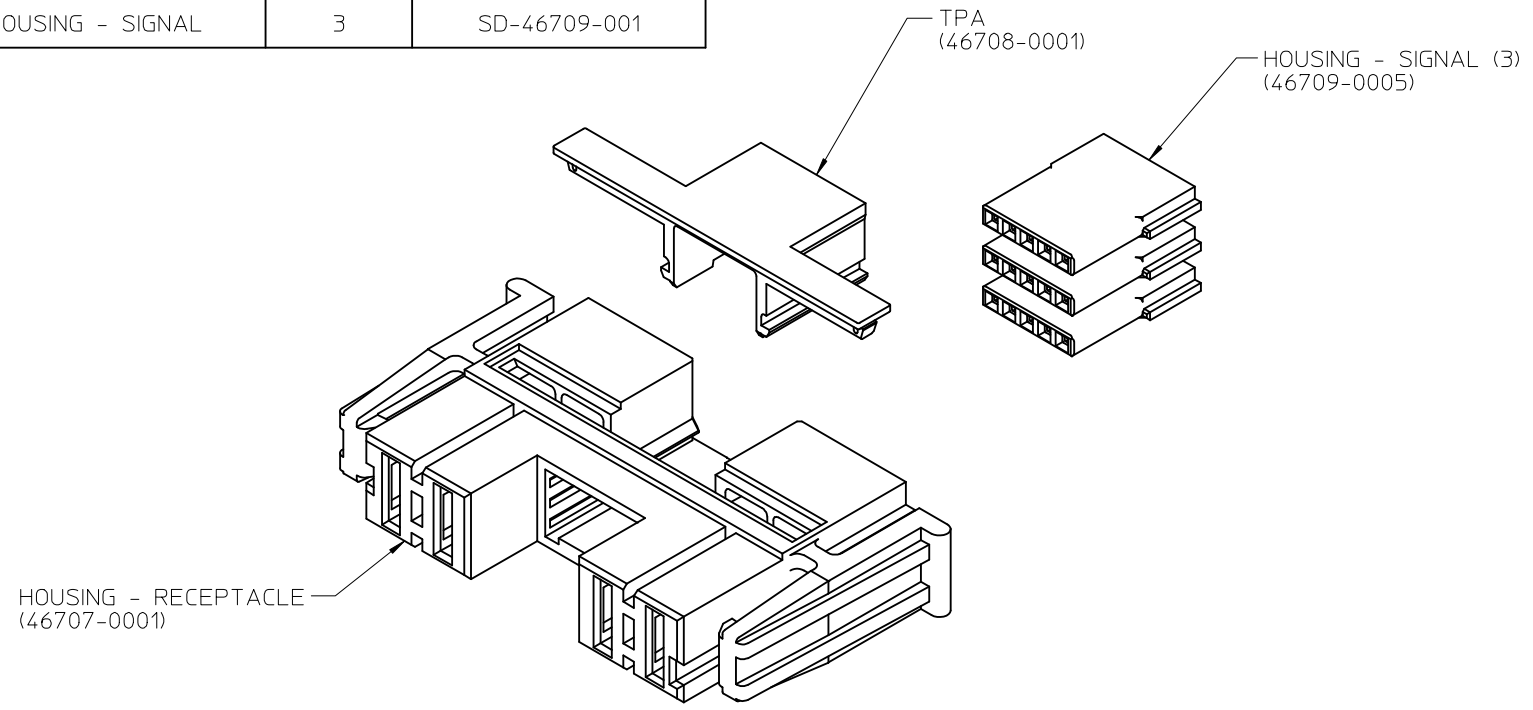
Address: A1208, Overseas Decoration Building, #122 Zhenhua RD., Futian, Shenzhen, China



BILL OF MATERIALS

MATERIAL NUMBER	DESCRIPTION	QTY	SALES DRAWING
46710-9000	TPA	1	SD-46708-001
	HOUSING - RECEPTACLE	1	SD-46707-001
	HOUSING - SIGNAL	3	SD-46709-001

NOTE:
1. FOR ADDITIONAL INFORMATION ON COMPONENTS, SEE INDIVIDUAL SALES DRAWINGS PER CHART



RELEASED EC NO: UCP2009-2155 DRWN: JOUILLES 2009/03/02 CHKD: 2009/03/02 APPR: APATEL 2009/03/04	DESCRIPTION REV A	QUALITY SYMBOLS	GENERAL TOLERANCES (UNLESS SPECIFIED)		DIMENSION STYLE	SCALE	DESIGN UNITS	THIRD ANGLE PROJECTION	
		$F_A = 0$ $F_C = 0$ $F_P = 0$	4 PLACES	mm	INCH	MM/IN	2:1	METRIC	KIT POWER/SIGNAL MIX TEN60 WIRE MOLEX INCORPORATED SD-46710-900
			3 PLACES	± ---	± ---	DRAWN BY	DATE	TITLE MOLEX INCORPORATED DOCUMENT NO.	
			2 PLACES	± 0.20	± .012	CHECKED BY	DATE		
1 PLACE	± 0.30	± ---	APPROVED BY	DATE					
		ANGULAR ± 1/2°		MATERIAL NO.		SHEET NO.		1 OF 1	
DRAFT WHERE APPLICABLE MUST REMAIN WITHIN DIMENSIONS				SEE CHART		THIS DRAWING CONTAINS INFORMATION THAT IS PROPRIETARY TO MOLEX INCORPORATED AND SHOULD NOT BE USED WITHOUT WRITTEN PERMISSION			