



Chipsmall Limited consists of a professional team with an average of over 10 year of expertise in the distribution of electronic components. Based in Hongkong, we have already established firm and mutual-benefit business relationships with customers from,Europe,America and south Asia,supplying obsolete and hard-to-find components to meet their specific needs.

With the principle of "Quality Parts,Customers Priority,Honest Operation,and Considerate Service",our business mainly focus on the distribution of electronic components. Line cards we deal with include Microchip,ALPS,ROHM,Xilinx,Pulse,ON,Everlight and Freescale. Main products comprise IC,Modules,Potentiometer,IC Socket,Relay,Connector.Our parts cover such applications as commercial,industrial, and automotives areas.

We are looking forward to setting up business relationship with you and hope to provide you with the best service and solution. Let us make a better world for our industry!



Contact us

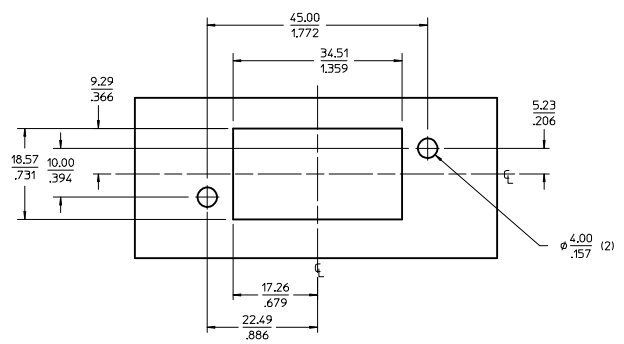
Tel: +86-755-8981 8866 Fax: +86-755-8427 6832

Email & Skype: info@chipsmall.com Web: www.chipsmall.com

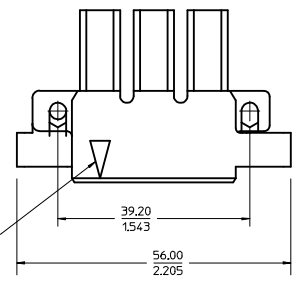
Address: A1208, Overseas Decoration Building, #122 Zhenhua RD., Futian, Shenzhen, China



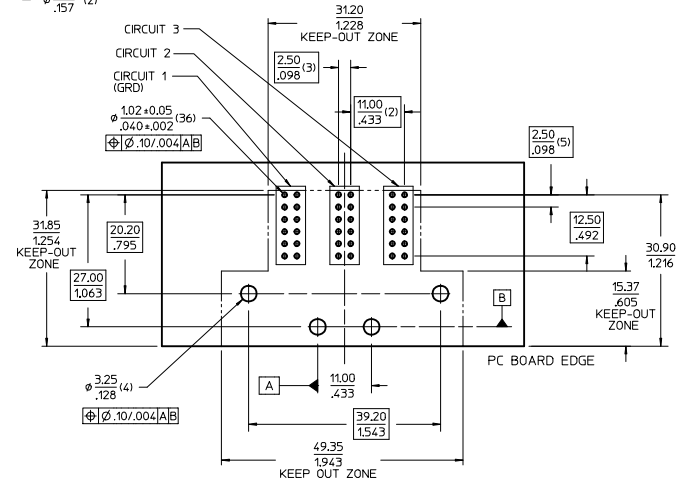
PART NUMBER	DIM "A" PC TAIL	PC BOARD THICKNESS	DESCRIPTION
46817-1000	3.86+0.30 .152+.012	2.36/0.093	SHORT TAILS
46817-1001	4.69+0.30 .185+.012	3.18/0.125 3.60/0.142	LONG TAILS



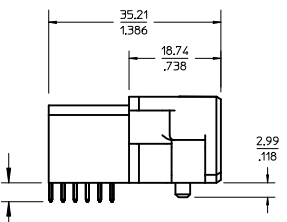
- NOTES:
- MATERIAL: HOUSING: 30% GF POLYESTER - 94V-0 89992-0030
TERMINALS: COPPER ALLOY
 - PLATING: TERMINALS: 30 μ IN GOLD IN THE CONTACT AREA,
100 μ IN TIN IN THE PC TAIL AREA OVER
50 μ IN NICKEL OVERALL
 - PRODUCT SPECIFICATION: PS-46819-001
 - PARTS ARE TRAY PACKED PER PACKAGING SPECIFICATION: PK-46817-001
 - MATING HARNESS SERIES 111119
 - PC BOARD HOLES ARE FOR SOLDER TAIL TYPE TERMINALS
 - PC BOARD HOLES TO BE PLATED THRU HOLES



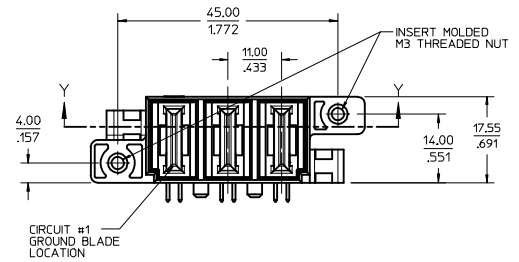
PANEL LAYOUT



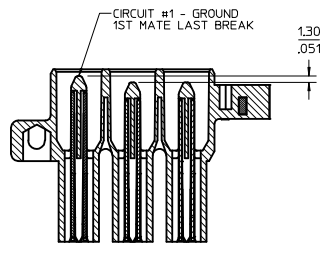
RECOMMENDED PCB LAYOUT
(CONNECTOR SIDE)



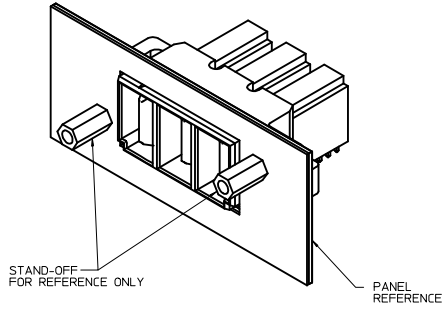
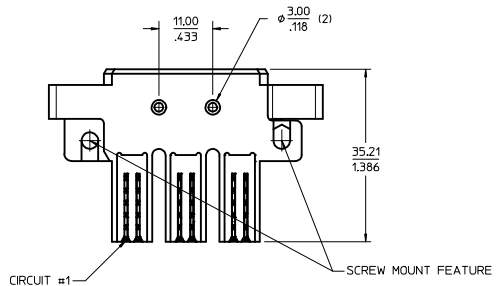
DIM "A"



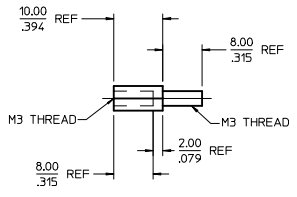
PART SUPPLIED AS SHOWN



SECTION Y-Y



RECOMMENDED M3 STAND-OFF
FOR REFERENCE ONLY
MAY BE PURCHASED FROM HARDWARE VENDOR



DWG ERROR/CORR DIM "A" E.C. NO.: UCP2013-5090 DRAWN: OUILLES 2013/06/11 CHECKED: APATEL 2013/06/11 APPROVED: APPR:APATEL 2013/06/11 REVISIONS:	QUALITY SYMBOLS	GENERAL TOLERANCES (UNLESS SPECIFIED)	DIMENSION STYLE	SCALE	DESIGN UNITS	THIRD ANGLE PROJECTION																
	$\nabla=0$ $\nabla=0$ $\nabla=0$	<table border="1"> <tr> <th></th> <th>mm</th> <th>INCH</th> </tr> <tr> <td>4 PLACES</td> <td>±.01</td> <td>±.0005</td> </tr> <tr> <td>3 PLACES</td> <td>±.02</td> <td>±.0010</td> </tr> <tr> <td>2 PLACES</td> <td>±0.25</td> <td>±.02</td> </tr> <tr> <td>1 PLACE</td> <td>±0.51</td> <td>±.05</td> </tr> </table>		mm	INCH	4 PLACES	±.01	±.0005	3 PLACES	±.02	±.0010	2 PLACES	±0.25	±.02	1 PLACE	±0.51	±.05	MM/IN	2:1	METRIC		
		mm	INCH																			
	4 PLACES	±.01	±.0005																			
3 PLACES	±.02	±.0010																				
2 PLACES	±0.25	±.02																				
1 PLACE	±0.51	±.05																				
DRAFT WHERE APPLICABLE MUST REMAIN WITHIN DIMENSIONS	<table border="1"> <tr> <td>DRAWN BY</td> <td>DATE</td> <td>TITLE</td> </tr> <tr> <td>MDATA</td> <td>2009/01/22</td> <td>GUARDIAN PLUG ASSEMBLY</td> </tr> <tr> <td>CHECKED BY</td> <td>DATE</td> <td>3 CKT</td> </tr> <tr> <td>APATEL</td> <td>2009/01/23</td> <td></td> </tr> <tr> <td>APPROVED BY</td> <td>DATE</td> <td></td> </tr> <tr> <td>APATEL</td> <td>2011/12/20</td> <td></td> </tr> </table>	DRAWN BY	DATE	TITLE	MDATA	2009/01/22	GUARDIAN PLUG ASSEMBLY	CHECKED BY	DATE	3 CKT	APATEL	2009/01/23		APPROVED BY	DATE		APATEL	2011/12/20		MATERIAL NO. SEE CHART	DOCUMENT NO. SD-46817-100	SHEET NO. 1 OF 1
DRAWN BY	DATE	TITLE																				
MDATA	2009/01/22	GUARDIAN PLUG ASSEMBLY																				
CHECKED BY	DATE	3 CKT																				
APATEL	2009/01/23																					
APPROVED BY	DATE																					
APATEL	2011/12/20																					
THIS DRAWING CONTAINS INFORMATION THAT IS PROPRIETARY TO MOLEX INCORPORATED AND SHOULD NOT BE USED WITHOUT WRITTEN PERMISSION																						