



Chipsmall Limited consists of a professional team with an average of over 10 year of expertise in the distribution of electronic components. Based in Hongkong, we have already established firm and mutual-benefit business relationships with customers from,Europe,America and south Asia,supplying obsolete and hard-to-find components to meet their specific needs.

With the principle of “Quality Parts,Customers Priority,Honest Operation,and Considerate Service”,our business mainly focus on the distribution of electronic components. Line cards we deal with include Microchip,ALPS,ROHM,Xilinx,Pulse,ON,Everlight and Freescale. Main products comprise IC,Modules,Potentiometer,IC Socket,Relay,Connector.Our parts cover such applications as commercial,industrial, and automotives areas.

We are looking forward to setting up business relationship with you and hope to provide you with the best service and solution. Let us make a better world for our industry!



## Contact us

Tel: +86-755-8981 8866 Fax: +86-755-8427 6832

Email & Skype: info@chipsmall.com Web: www.chipsmall.com

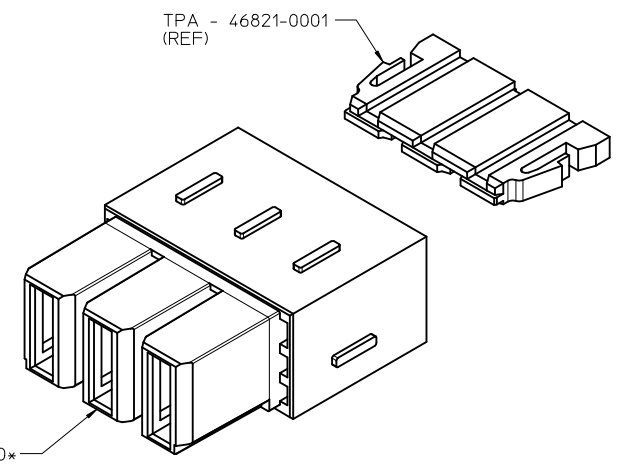
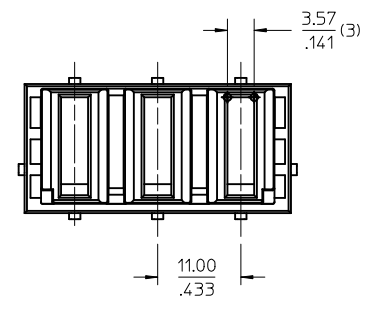
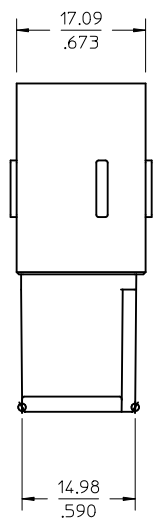
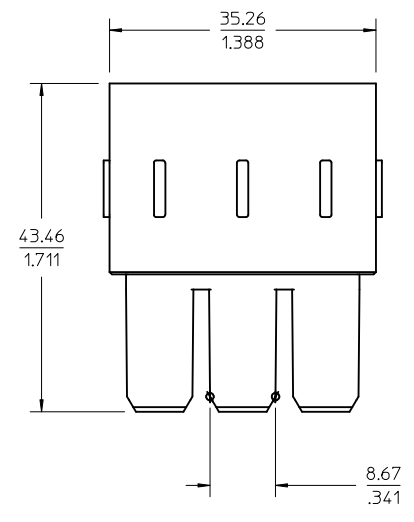
Address: A1208, Overseas Decoration Building, #122 Zhenhua RD., Futian, Shenzhen, China



ITEM NO	PART NUMBER	DESCRIPTION
1	46818-0001	FOR 8-10 AWG WIRE
2	46818-0003	FOR 6 AWG WIRE

NOTES:

1. MATERIAL: PBT 30% GLASS FILLED 89992-0030  
COLOR: BLACK
2. HOUSING FOR USE WITH TERMINAL SERIES 46819 PER MOLEX DRAWING SD-46819-001 AND CABLE ASSEMBLY SERIES 111119
3. REQUIRES TPA SD-46821-001 TO SECURE TERMINALS
4. HOUSING IS ROHS COMPLIANT
5. TPA MUST BE USED WITH HOUSING
6. TPA IS TO BE ORDERED SEPARATELY
7. DO NOT INSERT THE TPA INTO CRIMP HOUSING UNTIL THE CRIMP TERMINAL WITH WIRES HAS BEEN INSERTED



<b>ADD NOTES/REV VIEW</b> EC NO: UCP2012-3786 DRWN: JUILLES 2012/05/21 CHKD: HKRADIWAS 2012/05/21 APPR: APATEL 2012/06/01	DESCRIPTION REV	QUALITY SYMBOLS	GENERAL TOLERANCES (UNLESS SPECIFIED)	DIMENSION STYLE	SCALE	DESIGN UNITS	THIRD ANGLE PROJECTION
		▽=0	mm INCH	MM/IN	2:1	METRIC	GUARDIAN CRIMP RECEPTACLE HOUSING 3 CKT <b>MOLEX INCORPORATED</b> SD-46818-001
		▽=0	4 PLACES ± --- ± ---	DRAWN BY DATE	TITLE MDATA 3-9-09		
		▽=0	3 PLACES ± --- ± .005	CHECKED BY DATE			
▽=0	2 PLACES ± 0.13 ± 0	APPROVED BY DATE	MDATA 3-9-09 APATEL 2012/01/24				
		ANGULAR ± 1/2°	MATERIAL NO.	DOCUMENT NO.	SHEET NO.		
		DRAFT WHERE APPLICABLE MUST REMAIN WITHIN DIMENSIONS	SEE CHART			1 OF 1	
			SIZE	THIS DRAWING CONTAINS INFORMATION THAT IS PROPRIETARY TO MOLEX INCORPORATED AND SHOULD NOT BE USED WITHOUT WRITTEN PERMISSION			