



Chipsmall Limited consists of a professional team with an average of over 10 year of expertise in the distribution of electronic components. Based in Hongkong, we have already established firm and mutual-benefit business relationships with customers from,Europe,America and south Asia,supplying obsolete and hard-to-find components to meet their specific needs.

With the principle of “Quality Parts,Customers Priority,Honest Operation,and Considerate Service”,our business mainly focus on the distribution of electronic components. Line cards we deal with include Microchip,ALPS,ROHM,Xilinx,Pulse,ON,Everlight and Freescale. Main products comprise IC,Modules,Potentiometer,IC Socket,Relay,Connector.Our parts cover such applications as commercial,industrial, and automotives areas.

We are looking forward to setting up business relationship with you and hope to provide you with the best service and solution. Let us make a better world for our industry!



Contact us

Tel: +86-755-8981 8866 Fax: +86-755-8427 6832

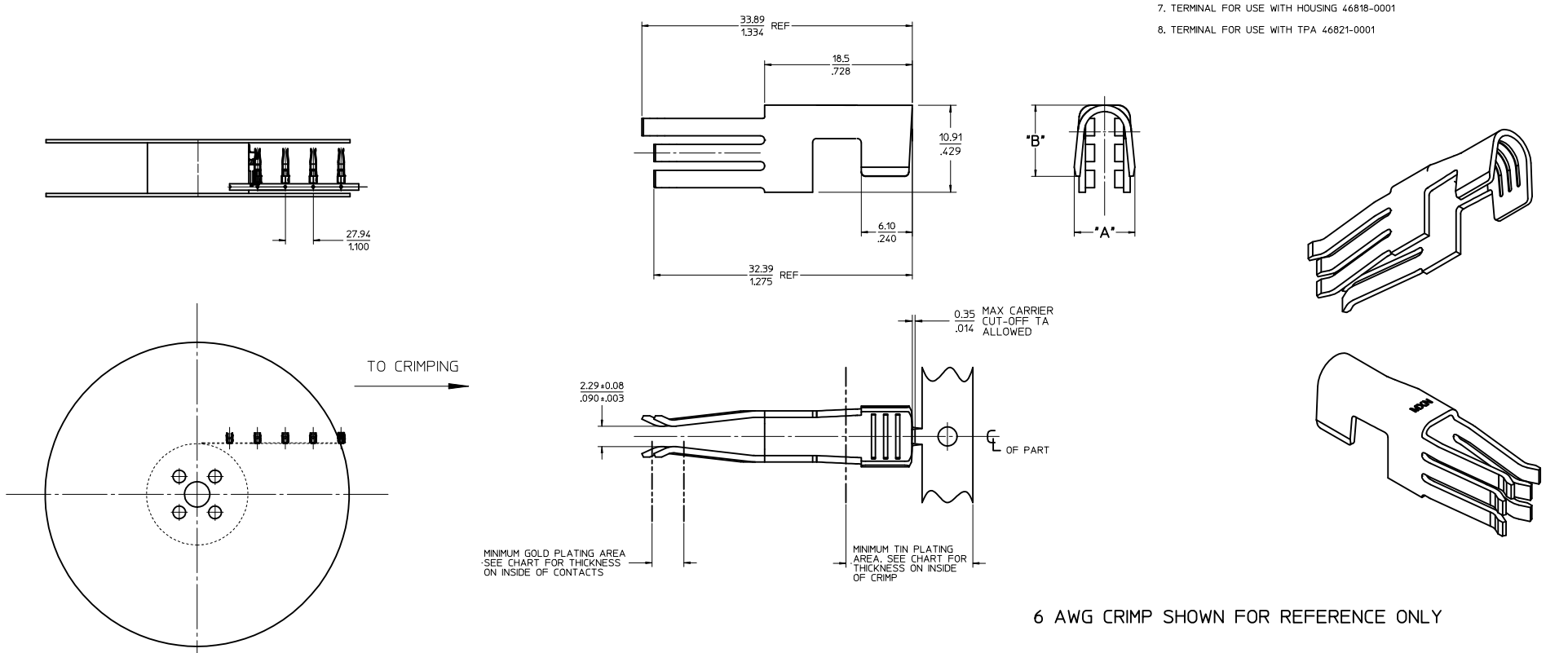
Email & Skype: info@chipsmall.com Web: www.chipsmall.com

Address: A1208, Overseas Decoration Building, #122 Zhenhua RD., Futian, Shenzhen, China



PART NUMBER	CRIMP SIZE	NUMBER OF TERMINALS PER REEL	PLATING	DIM "A" WIDTH	DIM "B" HEIGHT
46819-0001	10	****	100μ INCHES OF MATTE TIN OVERALL OVER 50μ INCHES OF NICKEL OVERALL	5.37+0.25 -210+010	5.97+0.38 -235+015
46819-0002	8	****		7.12+0.25 -280+010	7.84+0.30 -309+012
46819-0003	6	****		7.62+0.25 -300+010	8.92+0.30 -350+012
46819-0011	10	****	100μ INCHES OF MATTE SELECT TIN OVER 50μ INCHES OF NICKEL OVERALL WITH 30μ INCHES OF SELECT GOLD	5.37+0.25 -210+010	5.97+0.38 -235+015
46819-0012	8	****		7.12+0.25 -280+010	7.84+0.30 -309+012
46819-0013	6	****		7.62+0.25 -300+010	8.92+0.30 -350+012

- NOTES:
1. MATERIAL: COPPER ALLOY .80/.032 THICK
 2. FINISH: PER MOLEX PLATING SPECIFICATION ES-88 - SEE CHART
 3. FOR CRIMP TOOLING CONTACT MOLEX OR VISIT THE MOLEX WEBSITE AT: WWW.MOLEX.COM
 4. SEE PRODUCT SPECIFICATION: PS-46819-001 FOR MORE INFORMATION
 5. FOR CRIMP SET UP INFORMATION SEE MOLEX APPLICATION SPECIFICATION DOCUMENT:
 - 6 AWG - ATS-638320600
 - 8 AWG - ATS-638320700
 - 10 AWG - ATS-638320800
 6. DESIGNED TO MATE WITH MOLEX P/N 46817-1****
 7. TERMINAL FOR USE WITH HOUSING 46818-0001
 8. TERMINAL FOR USE WITH TPA 46821-0001



6 AWG CRIMP SHOWN FOR REFERENCE ONLY

REVISED NOTE IEC NO. UCF2010-1563 DRAWN: JUILLES 2010/01/11 CHKD: APATEL 2010/01/11 APPR: APATEL 2010/01/12	QUALITY SYMBOLS	GENERAL TOLERANCES (UNLESS SPECIFIED)	DIMENSION STYLE	SCALE	DESIGN UNITS	THIRD ANGLE PROJECTION
	▽=0	4 PLACES ± --- ± ---	MM/IN	4:1	METRIC	☉
	▽=0	3 PLACES ± --- ± .005				
	▽=0	2 PLACES ± 0.13 ± .010				
		1 PLACE ± 0.25 ± ---				
		ANGULAR ±1/2°				
		DRAFT WHERE APPLICABLE MUST REMAIN WITHIN DIMENSIONS				
			MATERIAL NO.	DATE	TITLE	
			SEE CHART	2009/03/09	TERMINAL - HIGH POWER CRIMP CONTACT	
				DATE		
				2009/03/09		
				DATE		
				2009-03/10		
					MOLEX INCORPORATED	
					DOCUMENT NO. SD-46819-001	
					SHEET NO. 1 OF 1	