



Chipsmall Limited consists of a professional team with an average of over 10 year of expertise in the distribution of electronic components. Based in Hongkong, we have already established firm and mutual-benefit business relationships with customers from,Europe,America and south Asia,supplying obsolete and hard-to-find components to meet their specific needs.

With the principle of “Quality Parts,Customers Priority,Honest Operation,and Considerate Service”,our business mainly focus on the distribution of electronic components. Line cards we deal with include Microchip,ALPS,ROHM,Xilinx,Pulse,ON,Everlight and Freescale. Main products comprise IC,Modules,Potentiometer,IC Socket,Relay,Connector.Our parts cover such applications as commercial,industrial, and automotives areas.

We are looking forward to setting up business relationship with you and hope to provide you with the best service and solution. Let us make a better world for our industry!



Contact us

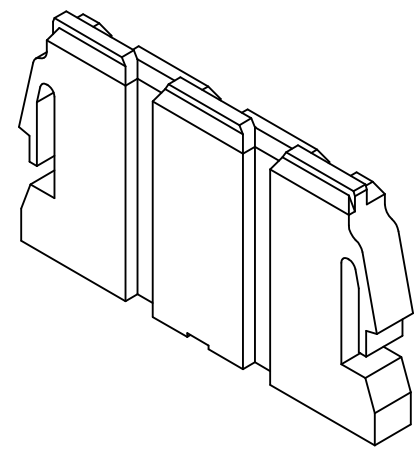
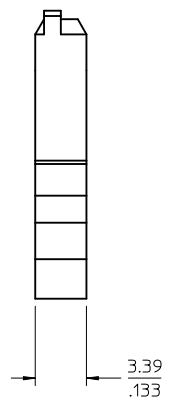
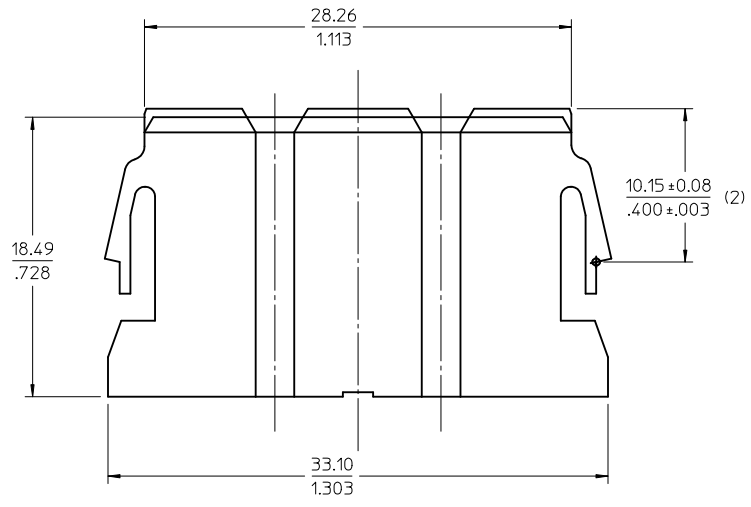
Tel: +86-755-8981 8866 Fax: +86-755-8427 6832

Email & Skype: info@chipsmall.com Web: www.chipsmall.com

Address: A1208, Overseas Decoration Building, #122 Zhenhua RD., Futian, Shenzhen, China



- NOTES:
1. MATERIAL: PBT UNFILLED 89992-0074
COLOR: BLACK
 2. HOUSING FOR USE WITH HOUSING SERIES 46818
 3. PART IS ROHS COMPLIANT



REVISED MATL NOTE EC NO: UCP2012-3021 DRWN: JUILLES 2012/04/18 CHKD:MKRADI MAS 2012/04/18 APPR: APATEL 2012/05/15	QUALITY SYMBOLS	GENERAL TOLERANCES (UNLESS SPECIFIED)		DIMENSION STYLE		SCALE	DESIGN UNITS	THIRD ANGLE PROJECTION		
	∇=0 ∇=0 ∇=0			MM/IN		4:1	METRIC			
				DRAWN BY DATE		TITLE GUARDIAN TPA 3 CKT				
				MATA 2009/3/09						
		CHECKED BY DATE		APPROVED BY DATE APATEL 2012/01/24						
		APATEL 2009/3/09								
		APPROVED BY DATE		MATERIAL NO.		DOCUMENT NO.		SHEET NO.		
		APATEL 2012/01/24		46821-0001		SD-46821-001		1 OF 1		
DRAFT WHERE APPLICABLE MUST REMAIN WITHIN DIMENSIONS		ANGULAR ±1/2°		SIZE C		THIS DRAWING CONTAINS INFORMATION THAT IS PROPRIETARY TO MOLEX INCORPORATED AND SHOULD NOT BE USED WITHOUT WRITTEN PERMISSION				