



Chipsmall Limited consists of a professional team with an average of over 10 year of expertise in the distribution of electronic components. Based in Hongkong, we have already established firm and mutual-benefit business relationships with customers from,Europe,America and south Asia,supplying obsolete and hard-to-find components to meet their specific needs.

With the principle of "Quality Parts,Customers Priority,Honest Operation,and Considerate Service",our business mainly focus on the distribution of electronic components. Line cards we deal with include Microchip,ALPS,ROHM,Xilinx,Pulse,ON,Everlight and Freescale. Main products comprise IC,Modules,Potentiometer,IC Socket,Relay,Connector.Our parts cover such applications as commercial,industrial, and automotives areas.

We are looking forward to setting up business relationship with you and hope to provide you with the best service and solution. Let us make a better world for our industry!



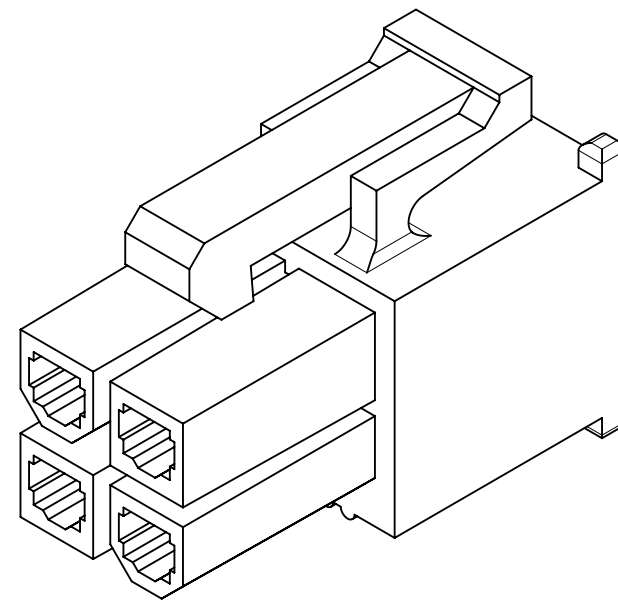
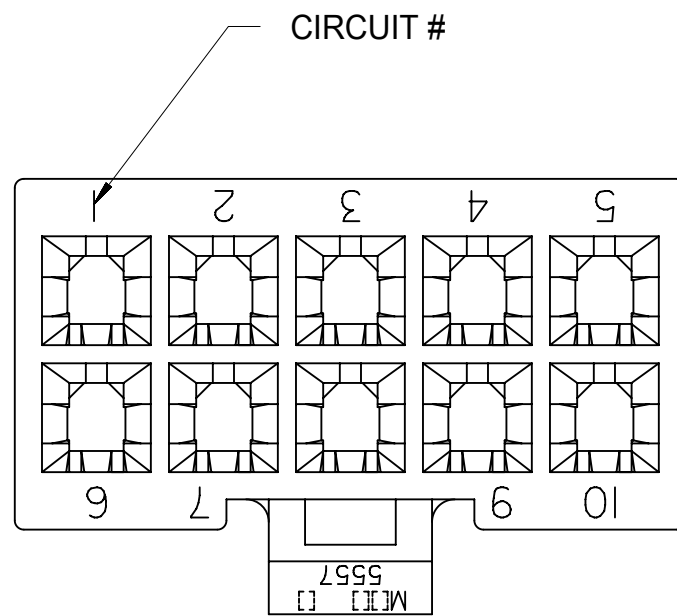
Contact us

Tel: +86-755-8981 8866 Fax: +86-755-8427 6832

Email & Skype: info@chipsmall.com Web: www.chipsmall.com

Address: A1208, Overseas Decoration Building, #122 Zhenhua RD., Futian, Shenzhen, China



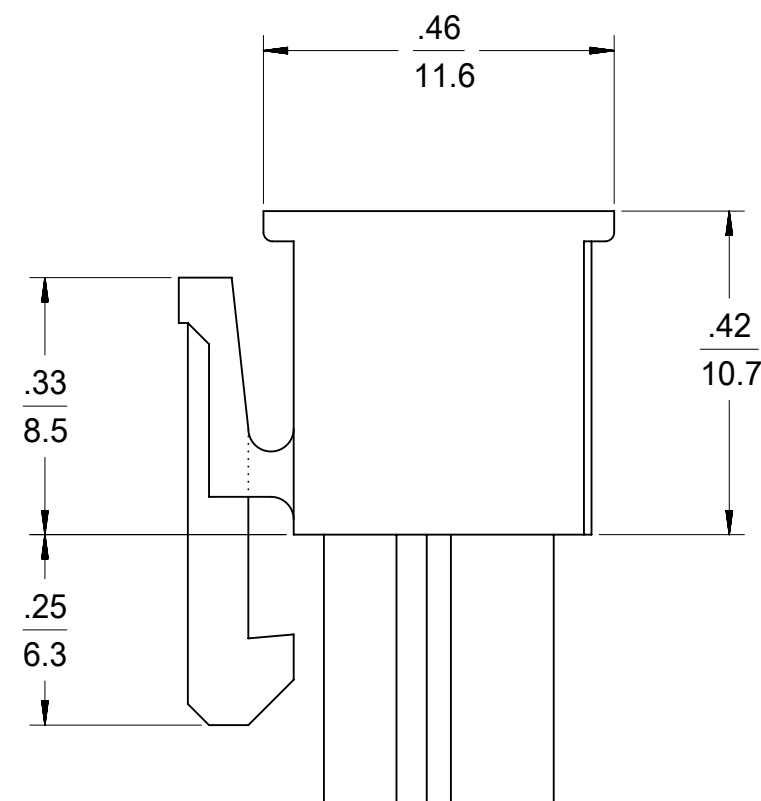
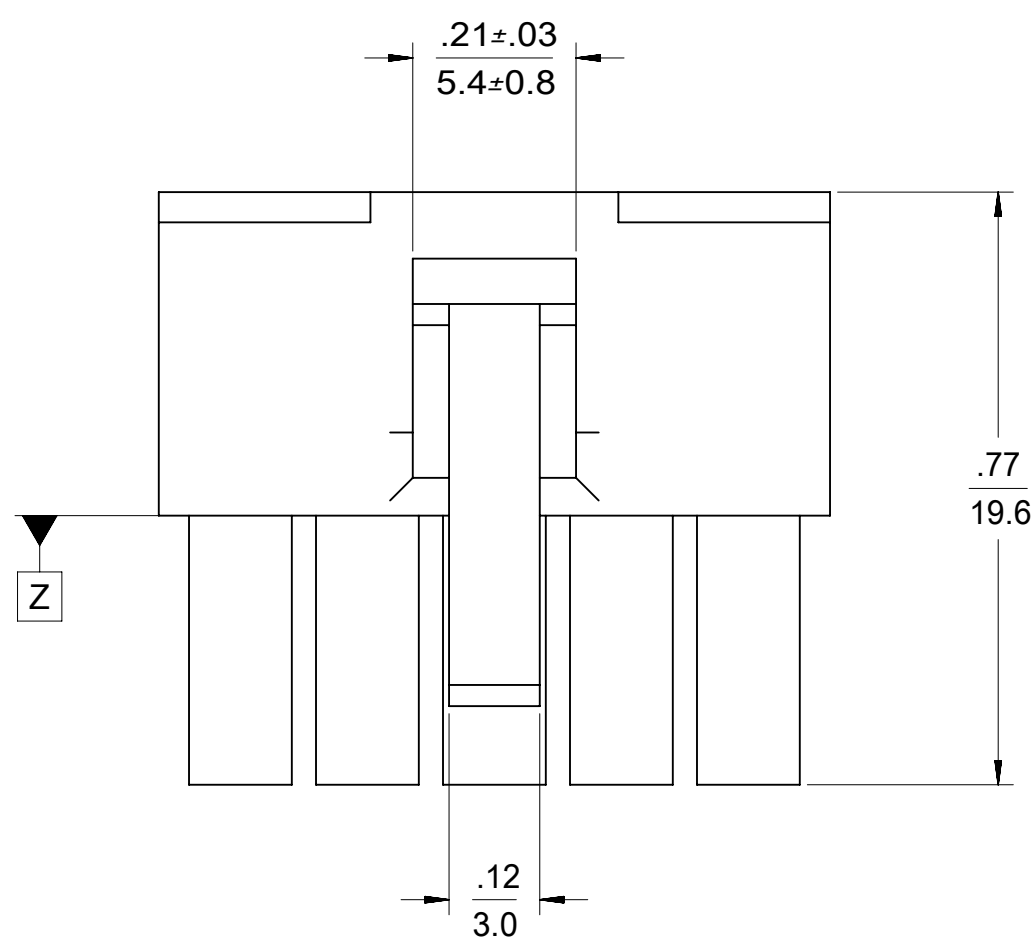
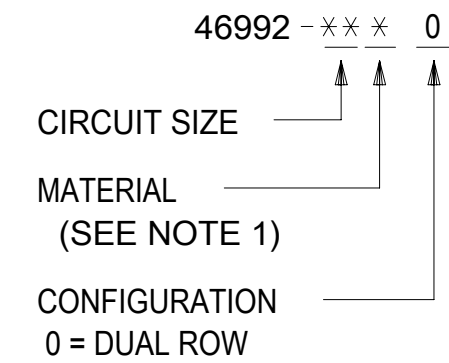


4 CKT SHOWN

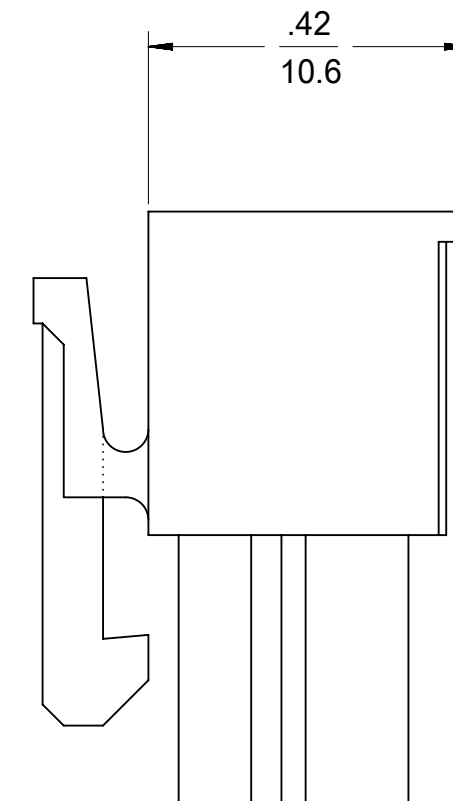
NOTES:

- 1) MATERIAL:
 "0" = NYLON, UNFILLED UL94V-2, COLOR: NATURAL (BEIGE), IEC 60335-1, 5th EDITION
 GLOW WIRE CAPABLE.
 "1" = NYLON, UNFILLED UL94V-2, COLOR: BLACK, IEC 60335-1, 5th EDITION
 GLOW WIRE CAPABLE.
- 2) FINISH: NOT APPLICABLE
- 3) PRODUCT SPECIFICATION: PS-5556-001
- 4) PACKAGING: BULK
- 5) PART MATES WITH MOLEX PLUG #46993 AND HEADERS #172447, #172448.
- 6) PART TO BE USED WITH MOLEX FEMALE TERMINAL #5556.
- 7) PART IS NOT DESIGNED FOR CURRENT SHARING.
- 8) CONNECTORS ARE NOT TO BE MATED OR UNMATED WHILE CIRCUITS ARE LIVE.
- 9) WIRES ARE TO BE DRESSED IN SUCH A MANNER TO ALLOW THE TERMINALS TO FLOAT FREELY IN THE POCKET.
- 10) PART CONFORMS TO CLASS "B" REQUIREMENTS OF COSMETIC SPECIFICATION PS-45499-002 WITH THE EXCEPTION OF DISCOLORATION, FLASH AND SINK MEET CLASS "C" REQUIREMENTS.
- 11) TO BE MEASURED AT SURFACE Z
- 12) TEXT ON PART IS FOR REFERENCE ONLY. TEXT AND TEXT LOCATION MAY VARY DEPENDING ON PART NUMBER AND/OR TOOL.

LEGEND



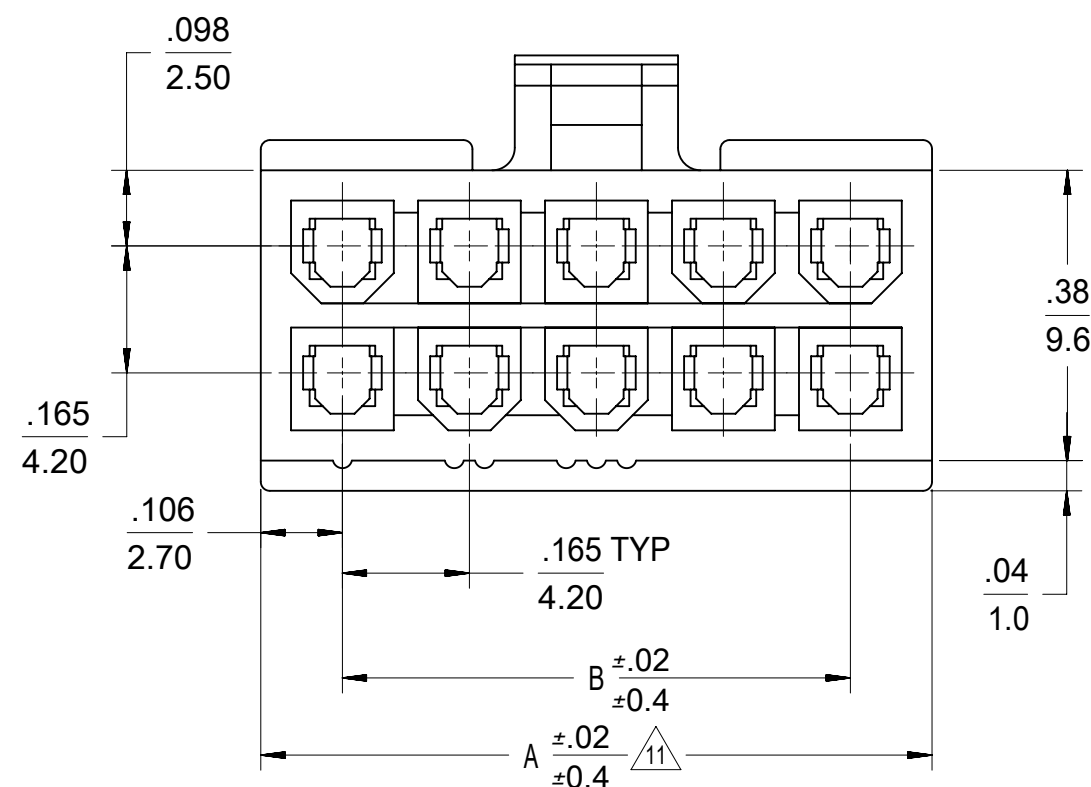
4-24 CKT



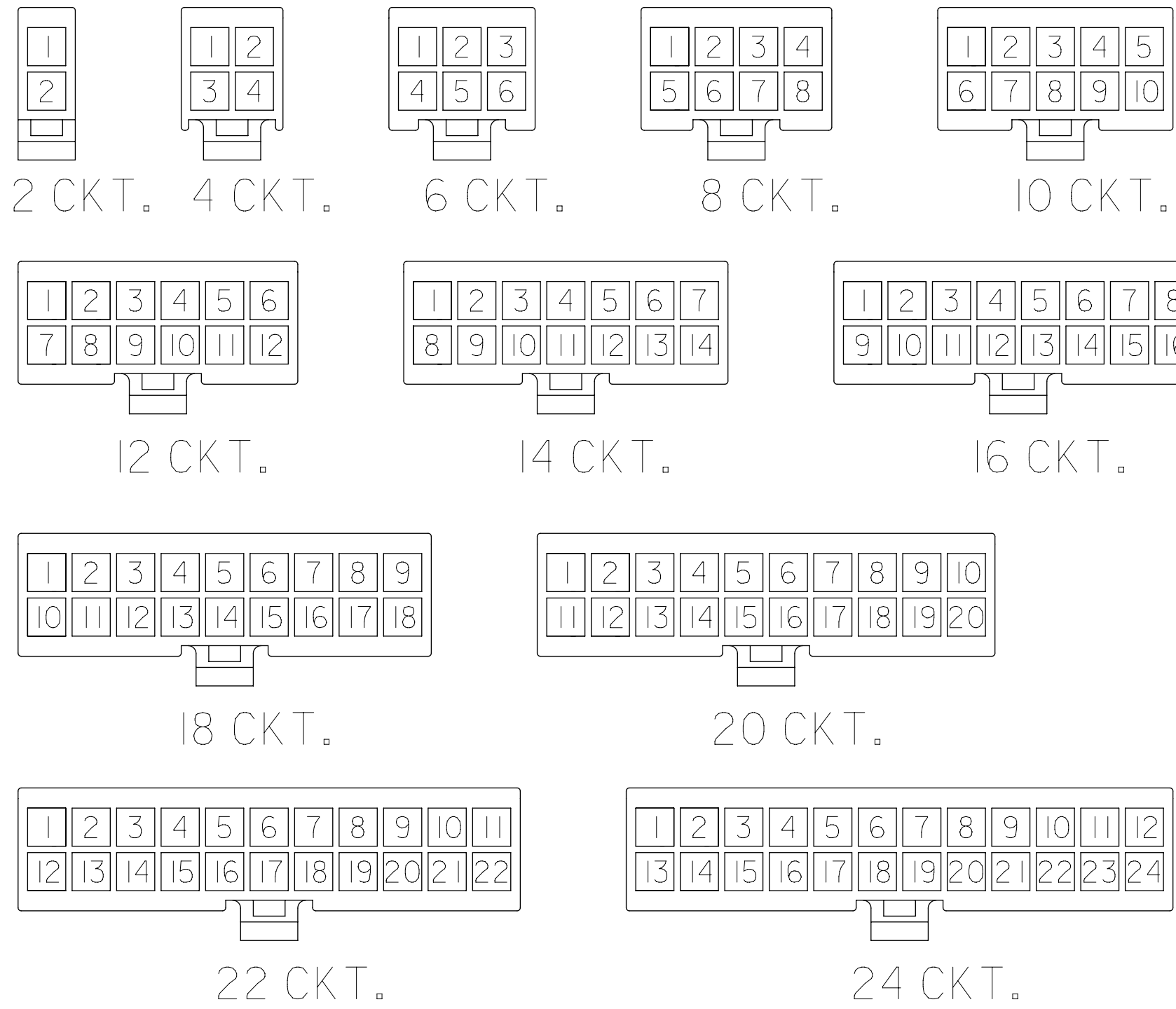
2 CKT ONLY

GLOW WIRE (BEIGE)		GLOW WIRE (BLACK)			
X	46992-2400		46992-2410	24	2.031/(51.60) 1.819/(46.20)
X	46999-2200	X	46999-2210	22	1.866/(47.40) 1.654/(42.00)
X	46992-2000	X	46992-2010	20	1.701/(43.20) 1.488/(37.80)
	46992-1800		46992-1810	18	1.535/(39.00) 1.323/(33.60)
	46992-1600		46992-1610	16	1.370/(34.80) 1.157/(29.40)
	46992-1400		46992-1410	14	1.205/(30.60) 0.992/(25.20)
	46992-1200		46992-1210	12	1.039/(26.40) 0.827/(21.00)
	46992-1000		46992-1010	10	0.874/(22.20) 0.661/(16.80)
	46992-0800		46992-0810	8	0.709/(18.00) 0.496/(12.60)
	46992-0600		46992-0610	6	0.543/(13.80) 0.331/(8.40)
	46992-0400		46992-0410	4	0.378/(9.60) 0.165/(4.20)
	46992-0200		46992-0210	2	0.213/(5.40) —+—
	EDP. NO.		EDP. NO.	NO. OF CKTS.	A B

X = NOT TOOLED



QUALITY SYMBOLS ▽ = 0 ▽ = 0 ▽ = 0 ▽ = 0 ▽ = 0 ▽ = 0 ▽ = 0 ▽ = 0 ▽ = 0 ▽ = 0 ▽ = 0 ▽ = 0	THIS DRAWING CONTAINS INFORMATION THAT IS PROPRIETARY TO MOLEX ELECTRONIC TECHNOLOGIES, LLC AND SHOULD NOT BE USED WITHOUT WRITTEN PERMISSION		DIMENSION UNITS IN/MM	SCALE 4:1	 MINIFIT JR RECEPTACLE HOUSING DUAL ROW, 2-24 CKT		
	ADD NOTE 12 EC NO: 114194 DRWN: BAPPELDORN CHKD: JBELL REV / APPR: FSMITH	GENERAL TOLERANCES (UNLESS SPECIFIED) MM INCH 4 PLACES ± ± 3 PLACES ± ± 0.01 2 PLACES ± 0.25 ± 0.015 1 PLACES ± 0.38 ± 0 PLACES ± ±	DRWN BY NNGUYEN	DATE 2013/04/12		PRODUCT CUSTOMER DRAWING SERIES: 46992 MATERIAL NUMBER: SEE CHART CUSTOMER: GENERAL MARKET	
		ANGULAR TOL = 3.0 DRAFT WHERE APPLICABLE MUST REMAIN WITHIN DIMENSIONS	CHK'D BY JBELL	DATE 2013/04/12			DOC TYPE PSD
		A5	APPR BY FSMITH	DATE 2014/05/16			DOC PART 000
RELEASE STATUS 12	RELEASE DATE 11	DOCUMENT NUMBER SD-46992-0000	DOC TYPE PSD	DOC PART 000	SHEET NUMBER 1 OF 2		



CIRCUIT SIZE LAYOUT
(NOT TO SCALE)

QUALITY SYMBOLS ▽ = 0 ▽ = 0 ▽ = 0 ▽ = 0 ▽ = 0 ▽ = 0 ▽ = 0 ▽ = 0 ▽ = 0 ▽ = 0	THIS DRAWING CONTAINS INFORMATION THAT IS PROPRIETARY TO MOLEX ELECTRONIC TECHNOLOGIES, LLC AND SHOULD NOT BE USED WITHOUT WRITTEN PERMISSION										
	ADD NOTE 12 EC NO: 114194 DRWN: BAPPELDORN CHKD: JBELL REV / APPR: FSMITH	2017/03/06		2017/03/06		2017/03/07		GENERAL TOLERANCES (UNLESS SPECIFIED) IN/MM SCALE 1:1			
		4 PLACES ±		±		DRWN BY		DATE			
		3 PLACES ±		± 0.01		NNGUYEN		2013/04/12			
		2 PLACES ±		± 0.015		CHK'D BY		DATE			
		1 PLACES ±		±		JBELL		2013/04/12			
	0 PLACES ±		±		APPR BY		DATE		PRODUCT CUSTOMER DRAWING		
	ANGULAR TOL = 3.0		DRAFT WHERE APPLICABLE MUST REMAIN WITHIN DIMENSIONS		FSMITH		2014/05/16		SERIES MATERIAL NUMBER CUSTOMER		
	C		THIRD ANGLE PROJECTION		DRAWING SIZE		THIRD ANGLE PROJECTION		46992 SEE CHART GENERAL MARKET		
	A5		SD-46992-0000		PSD		000		SHEET NUMBER 2 OF 2		