



Chipsmall Limited consists of a professional team with an average of over 10 year of expertise in the distribution of electronic components. Based in Hongkong, we have already established firm and mutual-benefit business relationships with customers from,Europe,America and south Asia,supplying obsolete and hard-to-find components to meet their specific needs.

With the principle of “Quality Parts,Customers Priority,Honest Operation,and Considerate Service”,our business mainly focus on the distribution of electronic components. Line cards we deal with include Microchip,ALPS,ROHM,Xilinx,Pulse,ON,Everlight and Freescale. Main products comprise IC,Modules,Potentiometer,IC Socket,Relay,Connector.Our parts cover such applications as commercial,industrial, and automotives areas.

We are looking forward to setting up business relationship with you and hope to provide you with the best service and solution. Let us make a better world for our industry!



## Contact us

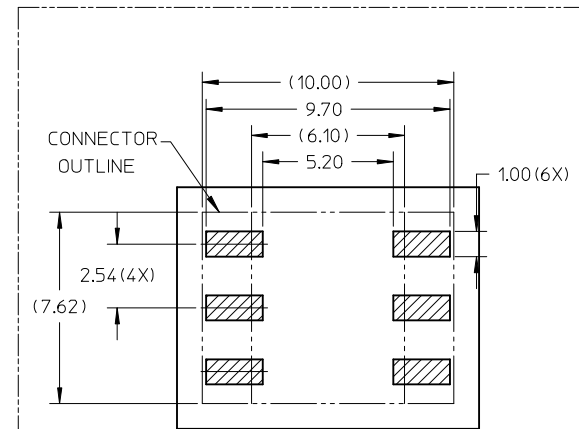
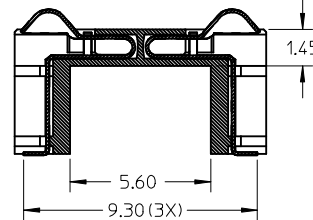
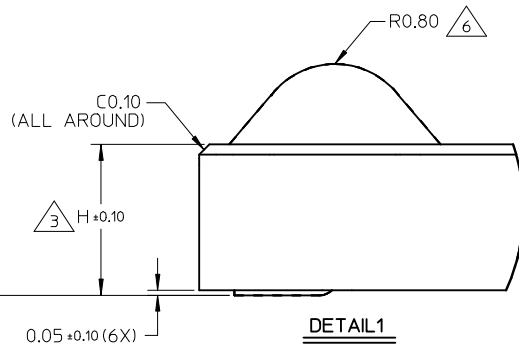
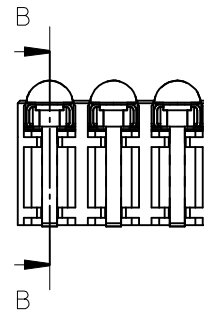
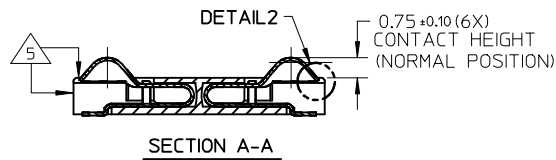
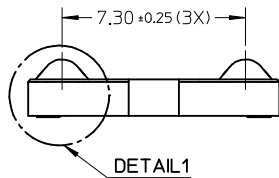
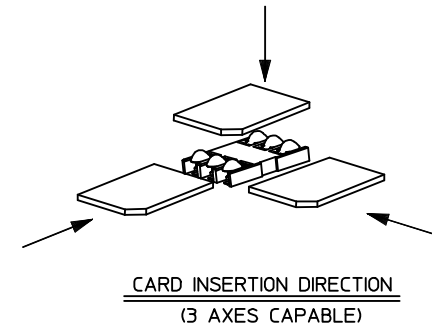
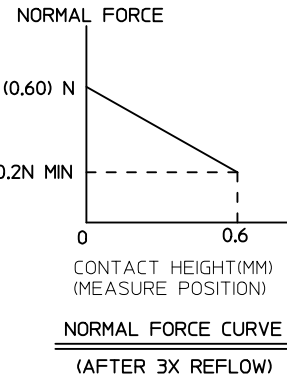
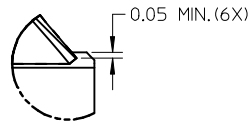
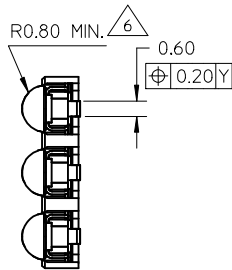
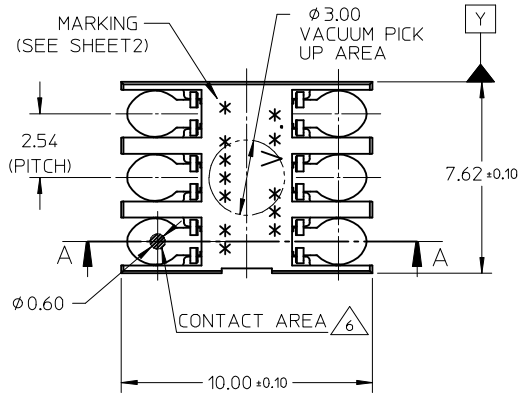
Tel: +86-755-8981 8866 Fax: +86-755-8427 6832

Email & Skype: info@chipsmall.com Web: www.chipsmall.com

Address: A1208, Overseas Decoration Building, #122 Zhenhua RD., Futian, Shenzhen, China



10 9 8 7 6 5 4 3 2 1



- NOTES:
- MATERIAL:
    - 1-1 HOUSING: LCP , 30% GLASS FILL, UL94 V-0,COLOR BLACK;
    - 1-2 TEMINAL: PHOSPHOR BRONZE , 0.12MM REF THICKNESS;
  - TERMINAL PLATING:
    - 2-1 SIM SIDE (CONTACT AREA) : 0.8 MICROMETER MIN GOLD;
    - 2-2 SOLDER TAIL: GOLD FLASH 0.05 MICROMETER MIN;
    - 2-3 UNDERPLATING: 2 MICROMETER NICKEL OVERALL;
  - H DIMENSION MINIMUM = 1.50MM, MAXIMUM = 5.00MM(SEE CHART ON SHEET 2);
  - NO SHARP EDGES INTERFACING WITH THE PCB OR SIM CARD;
  - CONTACT MUST NOT EXTENDED BEYOND HOUSING EDGE DURING DEFLECTION AND MUST LOWER THAN HOUSING LEVEL AFTER 3 TIMES REFLOW;
  - MAINTAIN IN CONTACT AREA.

NEW RELEASED EC NO: S2015-0431 DRW:HTGU002 CHKD:JZENG APPR:KHLIM 2014/11/07 2014/11/10 2014/11/21	QUALITY SYMBOLS $F_A=0$ $F_G=0$ $F_P=0$	GENERAL TOLERANCES (UNLESS SPECIFIED)		DIMENSION STYLE MM ONLY		SCALE NTS	DESIGN UNITS METRIC	THIRD ANGLE PROJECTION		
			mm	INCH	DRAWN BY	DATE	TITLE			
		4 PLACES	± ---	± ---	HTGU002	2014/11/07	6 CKT SCALABLE SIM CONNECTOR			
		3 PLACES	± ---	± ---	CHECKED BY	DATE				
2 PLACES	± 0.10	± ---	JZENG	2014/11/10	<b>molex</b> DOCUMENT NO. SD-47019-003 SHEET NO. 1 OF 2					
1 PLACE	± 0.20	± ---	APPROVED BY	DATE						
0 PLACE	± ---	± ---	KHLIM	2014/11/21	THIS DRAWING CONTAINS INFORMATION THAT IS PROPRIETARY TO MOLEX INCORPORATED AND SHOULD NOT BE USED WITHOUT WRITTEN PERMISSION					
ANGULAR ± 2 °		DRAFT WHERE APPLICABLE MUST REMAIN WITHIN DIMENSIONS		MATERIAL NO.					SEE TABLE	

9 8 7 6 5 4 3 2 1

