



Chipsmall Limited consists of a professional team with an average of over 10 year of expertise in the distribution of electronic components. Based in Hongkong, we have already established firm and mutual-benefit business relationships with customers from,Europe,America and south Asia,supplying obsolete and hard-to-find components to meet their specific needs.

With the principle of "Quality Parts,Customers Priority,Honest Operation,and Considerate Service",our business mainly focus on the distribution of electronic components. Line cards we deal with include Microchip,ALPS,ROHM,Xilinx,Pulse,ON,Everlight and Freescale. Main products comprise IC,Modules,Potentiometer,IC Socket,Relay,Connector.Our parts cover such applications as commercial,industrial, and automotives areas.

We are looking forward to setting up business relationship with you and hope to provide you with the best service and solution. Let us make a better world for our industry!



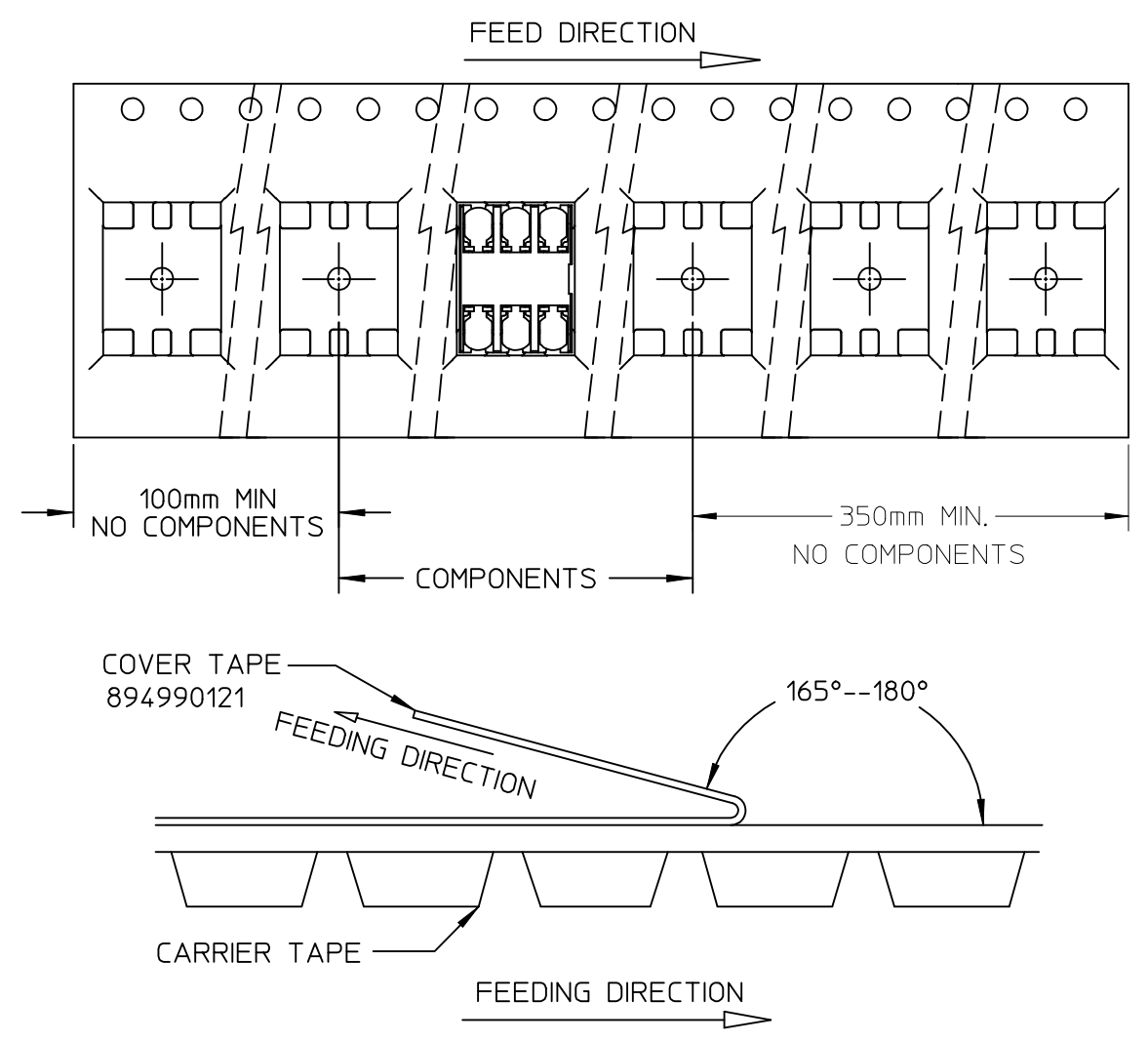
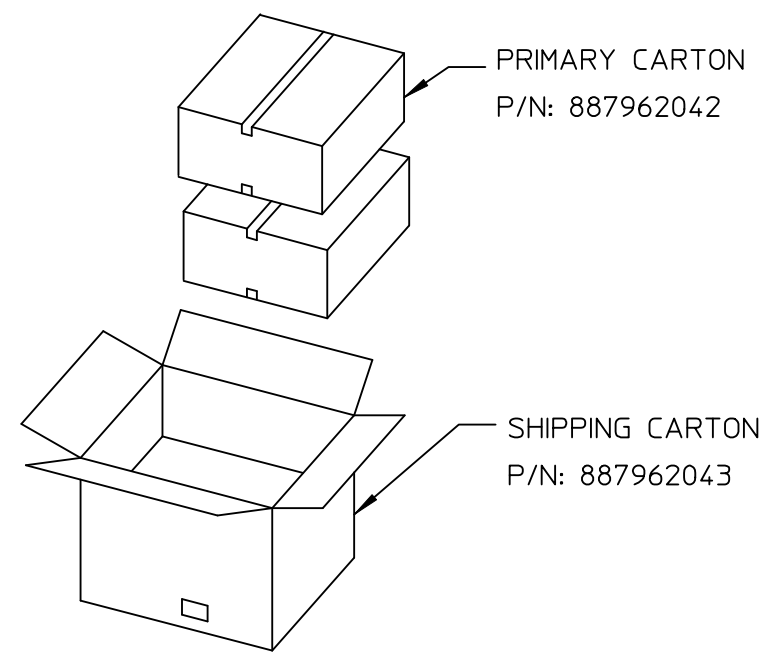
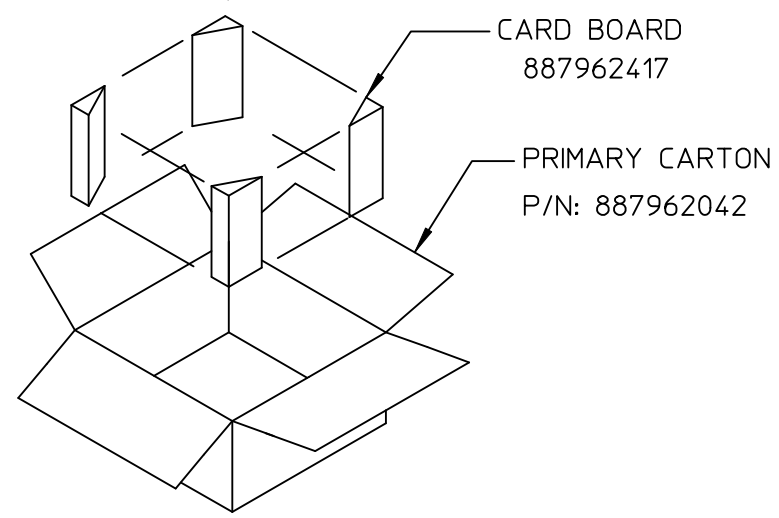
Contact us

Tel: +86-755-8981 8866 Fax: +86-755-8427 6832

Email & Skype: info@chipsmall.com Web: www.chipsmall.com

Address: A1208, Overseas Decoration Building, #122 Zhenhua RD., Futian, Shenzhen, China

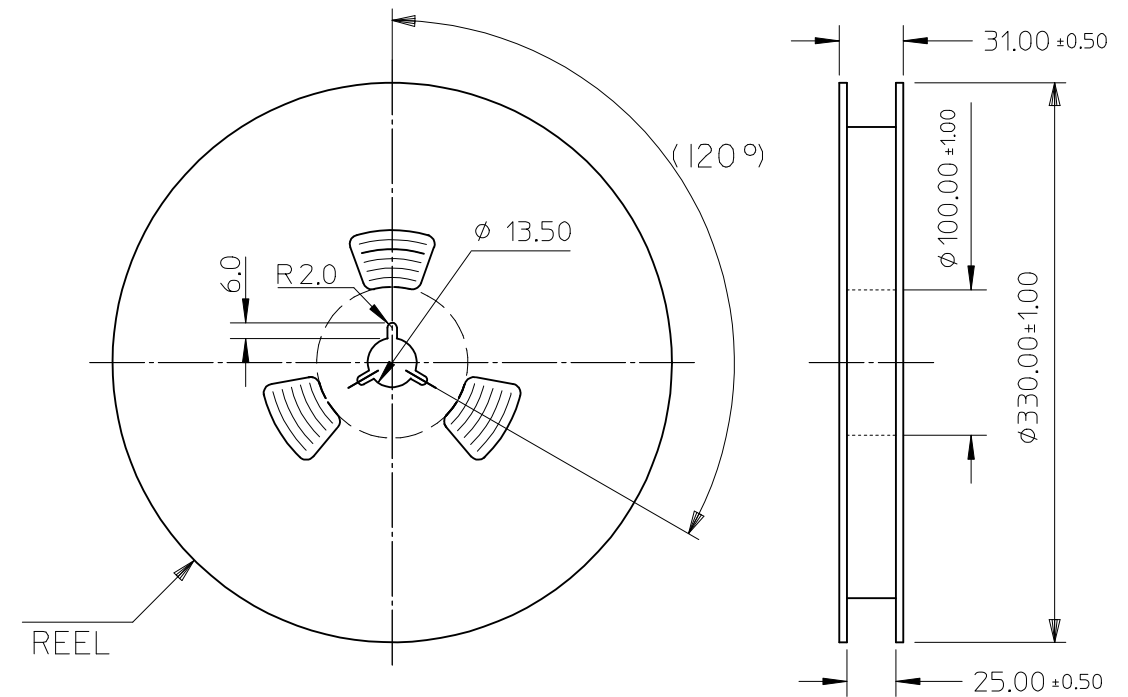
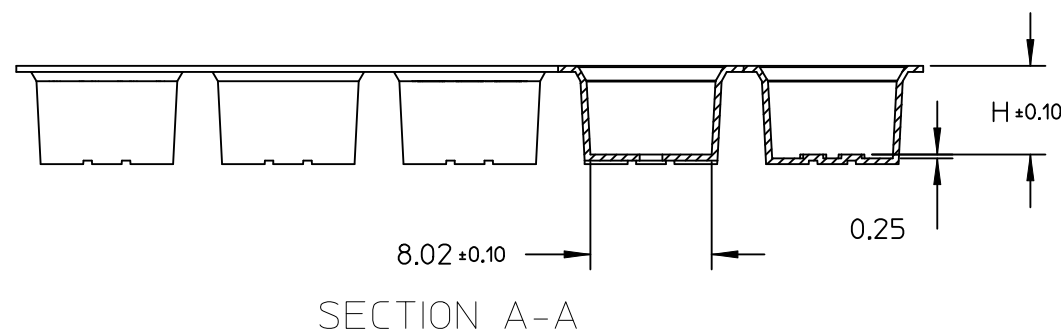
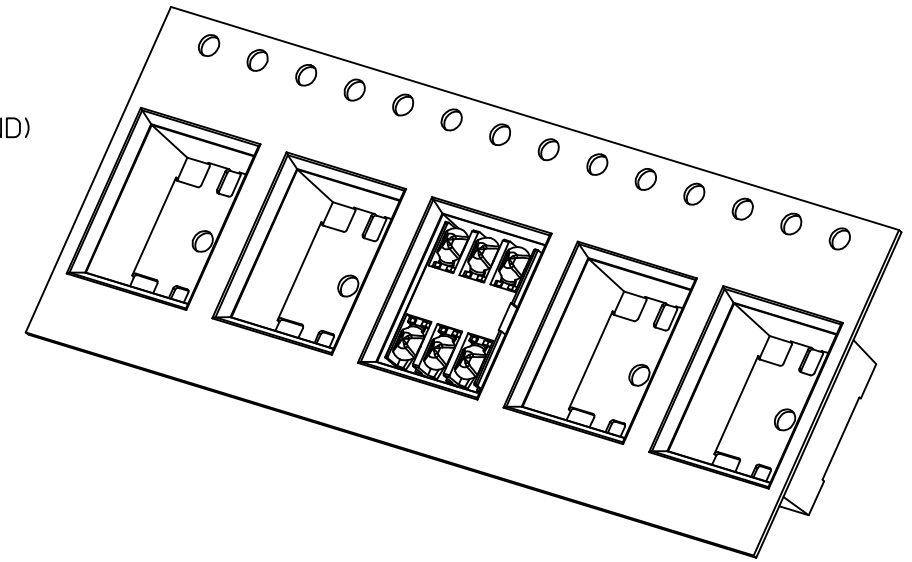
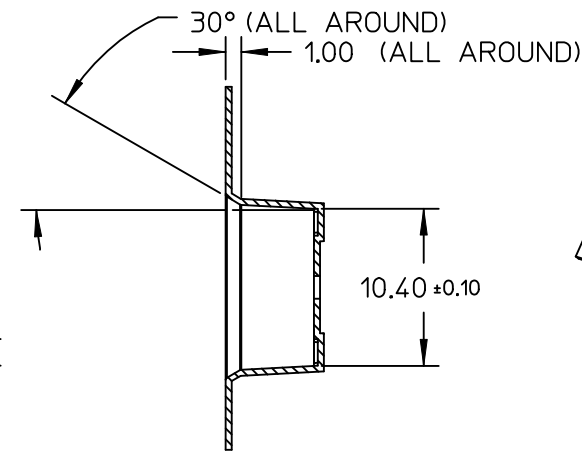
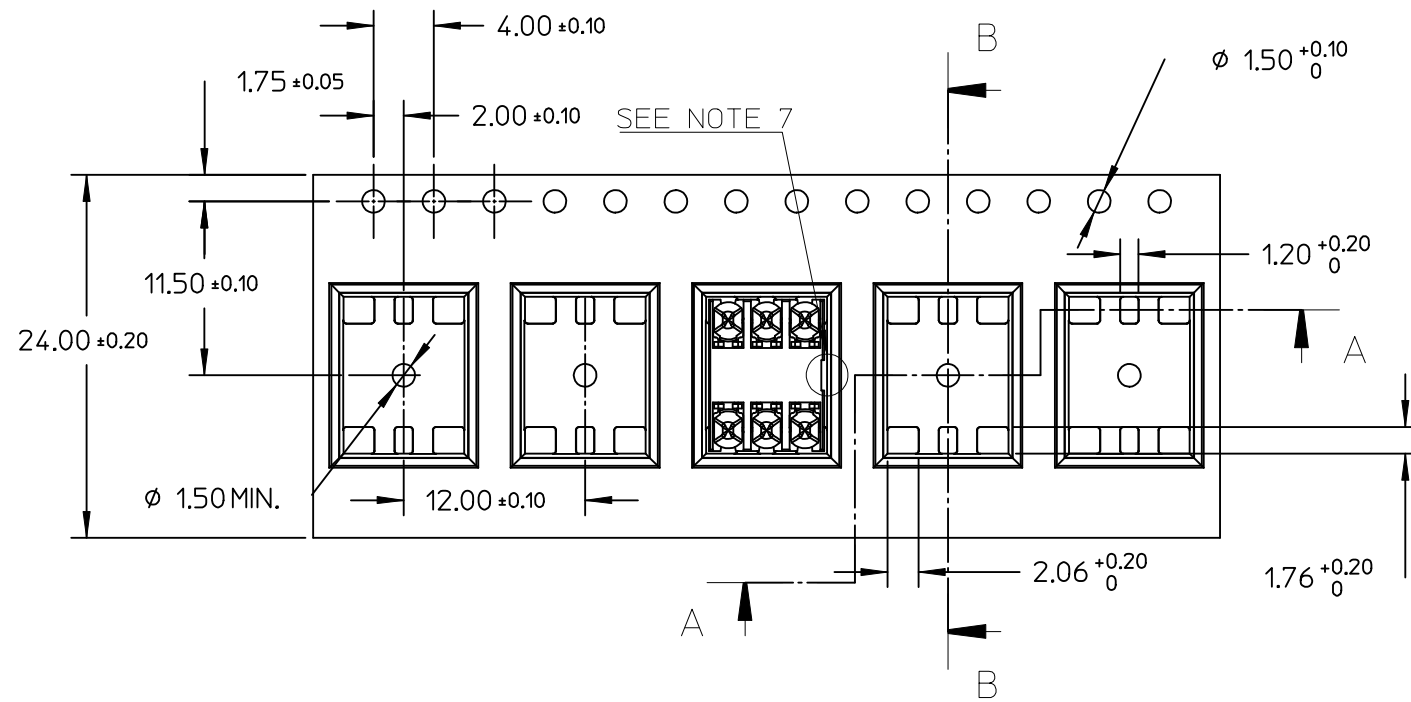




- TAPE BREAK FORCE:10N MIN
- TOP COVER TAPE STRENGTH:10N MIN
- TOP COVER TAPE PEEL FORCE:0.1--1.3N AT A PEEL SPEED OF 300±10 mm/min
- ANGLE BETWEEN THE COVER TAPE AND THE DIRECTION OF FEED DURING PEEL OFF:165--180°

NOTES :
1 STAPLES SHOULD ONLY BE USED TO SET UP CARTON.
ALL CARTONS CLOSURES MUST BE DONE WITH TAPE.
2 FILL PACKAGING REEL WITH THE QUANTITIES AS INDICATED IN THE CHART ON SHEET 3
3 REEL SIZE : 13"(330mm)

DOCUMENT MAINTENANCE EC NO: S2014-0004 DRWN: JZENG CHKD: JTAN02 APPR: KHLIM 2013/07/17 2013/08/12 2013/08/13	QUALITY SYMBOLS	GENERAL TOLERANCES (UNLESS SPECIFIED)		DIMENSION STYLE MM ONLY		SCALE 12:1	DESIGN UNITS METRIC	THIRD ANGLE PROJECTION	
	▽=0	4 PLACES	± ---	± ---	DRAWN BY JLU	DATE 2004/03/21	TITLE PACKAGING SCALABLE SIM CONNECTOR 1.5MM TO 5MM		
	∇=0	3 PLACES	± ---	± ---	CHECKED BY YJWU	DATE 2004/03/21			
		2 PLACES	± 0.10	± ---	APPROVED BY SHUANG	DATE 2004/03/21	MOLEX INCORPORATED		
		1 PLACE	± 0.2	± ---	MATERIAL NO.	DOCUMENT NO.			
		ANGULAR ± 2 °		SEE PAGE 3		PK-47019-001	1 OF 3		
	DRAFT WHERE APPLICABLE MUST REMAIN WITHIN DIMENSIONS		THIS DRAWING CONTAINS INFORMATION THAT IS PROPRIETARY TO MOLEX INCORPORATED AND SHOULD NOT BE USED WITHOUT WRITTEN PERMISSION						



- NOTE:
- 10 sprocket hole pitch cumulative tolerance ± 0.20 .
 - Carrier camber is within 1 mm in 250mm.
 - Material : Black Conductive Polystyrene Alloy (UP-6100).
 - All dimensions meet EIA-481-B requirements.
 - Thickness : 0.40 ± 0.05 mm.
 - Draft angle: 3°
 - Housing slot is not for polarization, at opposite side allowed

REEL PART NUMBER : 885963221
 REEL DIMENSION REFERENCE ONLY

SEE SHEET 1 EC NO: S2014-0004 DRWN: JZENG CHKD: JTAN02 APPR: KHLIM	2013/07/17 2013/08/12 2013/08/13	DESCRIPTION REV	QUALITY SYMBOLS	GENERAL TOLERANCES (UNLESS SPECIFIED)		DIMENSION STYLE MM ONLY		SCALE 2:1	DESIGN UNITS METRIC	THIRD ANGLE PROJECTION		
			$\blacktriangledown = 0$ $\triangleleft = 0$	mm	INCH	DRAWN BY JLU	DATE 2004/03/21	TITLE PACKAGING SCALABLE SIM CONNECTOR 1.5MM TO 5MM				
				4 PLACES \pm ---	\pm ---	CHECKED BY YJWU	DATE 2004/03/21	APPROVED BY SHUANG				
				3 PLACES \pm ---	\pm ---	DATE 2004/03/21	MATERIAL NO. SEE PAGE 3					
	2 PLACES ± 0.10	\pm ---	APPROVED BY SHUANG		DATE 2004/03/21		DOCUMENT NO. PK-47019-001		SHEET NO. 2 OF 3			
	1 PLACE ± 0.2	\pm ---	ANGULAR $\pm 2^\circ$		SIZE A3		THIS DRAWING CONTAINS INFORMATION THAT IS PROPRIETARY TO MOLEX INCORPORATED AND SHOULD NOT BE USED WITHOUT WRITTEN PERMISSION					
DRAFT WHERE APPLICABLE MUST REMAIN WITHIN DIMENSIONS												

F

F

E

E

D

D

C

C

B

B

A

A

TBD	470193201	470193202	4.20	1150	5	5750	11500
TBD	470193101	470193102	4.10	1200	5	6000	12000
TBD	470193001	470193002	4.00	1250	5	6250	12500
TBD	470192901	470192902	3.90	1300	5	6500	13000
TBD	470192801	470192802	3.80	1350	5	6750	13500
TBD	470192701	470192702	3.70	1400	5	7000	14000
TBD	470192601	470192602	3.60	1450	5	7250	14500
887962394	470192501	470192502	3.20	1500	5	7500	15000
887962394	470192401	470192402	3.20	1500	5	7500	15000
887962394	470192301	470192302	3.20	1500	5	7500	15000
887962394	470192201	470192202	3.20	1500	5	7500	15000
TBD	470192101	470192102	3.10	1600	5	8000	16000
887962395	470192001	470192002	3.00	1600	5	8000	16000
887962396	470191901	470191902	2.90	1700	5	8500	17000
887962395	470191801	470191802	3.00	1800	5	9000	18000
887962397	470191701	470191702	2.70	1800	5	9000	18000
887962397	470191601	470191602	2.70	1800	5	9000	18000
887962397	470191501	470191502	2.70	1800	5	9000	18000

TBD	470195001	470195002	6.00	800	5	4000	8000
TBD	470194901	470194902	5.90	800	5	4000	8000
TBD	470194801	470194802	5.80	800	5	4000	8000
TBD	470194701	470194702	5.70	800	5	4000	8000
TBD	470194601	470194602	5.60	850	5	4250	8500
TBD	470194501	470194502	5.50	850	5	4250	8500
TBD	470194401	470194402	5.40	850	5	4250	8500
TBD	470194301	470194302	5.30	900	5	4500	9000
TBD	470194201	470194202	5.20	900	5	4500	9000
TBD	470194101	470194102	5.10	900	5	4500	9000
TBD	470194001	470194002	5.00	950	5	4750	9500
TBD	470193901	470193902	4.90	950	5	4750	9500
TBD	470193801	470193802	4.80	950	5	4750	9500
TBD	470193701	470193702	4.70	1000	5	5000	10000
TBD	470193601	470193602	4.60	1000	5	5000	10000
TBD	470193501	470193502	4.50	1000	5	5000	10000
TBD	470193401	470193402	4.40	1050	5	5250	10500
TBD	470193301	470193302	4.30	1100	5	5500	11000

CARRIER TAPE PART NUMBER	COMPONENT PART NUMBER	DIM. H	PARTS/ REEL	REELS/ CARTON	PARTS PER PRIMARY CARTON	PARTS PER SHIPPING CARTON	CARRIER TAPE PART NUMBER	COMPONENT PART NUMBER	DIM. H	PARTS/ REEL	REELS/ CARTON	PARTS PER PRIMARY CARTON	PARTS PER SHIPPING CARTON
--------------------------	-----------------------	--------	-------------	---------------	--------------------------	---------------------------	--------------------------	-----------------------	--------	-------------	---------------	--------------------------	---------------------------

SEE SHEET 1 EC NO: S2014-0004 DRWN: JZENG 2013/07/17 CHKD: JIAN02 2013/08/12 APPR: KHL IM 2013/08/13	QUALITY SYMBOLS =0 =0	GENERAL TOLERANCES (UNLESS SPECIFIED)	DIMENSION STYLE MM ONLY		SCALE 12:1	DESIGN UNITS METRIC	THIRD ANGLE PROJECTION	
		4 PLACES ± --- ± ---	DRAWN BY JLU	DATE 2004/03/21	TITLE PACKAGING SCALABLE SIM CONNECTOR 1.5MM TO 5MM MOLEX INCORPORATED			
		3 PLACES ± --- ± ---	CHECKED BY YJWU	DATE 2004/03/21				
		2 PLACES ± 0.10 ± ---	APPROVED BY SHUANG	DATE 2004/03/21				
1 PLACE ± 0.2 ± ---	MATERIAL NO.							
ANGULAR ± 2 °		SEE TABLE		DOCUMENT NO. PK-47019-001		SHEET NO. 3 OF 3		
DRAFT WHERE APPLICABLE MUST REMAIN WITHIN DIMENSIONS		THIS DRAWING CONTAINS INFORMATION THAT IS PROPRIETARY TO MOLEX INCORPORATED AND SHOULD NOT BE USED WITHOUT WRITTEN PERMISSION						