



Chipsmall Limited consists of a professional team with an average of over 10 year of expertise in the distribution of electronic components. Based in Hongkong, we have already established firm and mutual-benefit business relationships with customers from,Europe,America and south Asia,supplying obsolete and hard-to-find components to meet their specific needs.

With the principle of “Quality Parts,Customers Priority,Honest Operation,and Considerate Service”,our business mainly focus on the distribution of electronic components. Line cards we deal with include Microchip,ALPS,ROHM,Xilinx,Pulse,ON,Everlight and Freescale. Main products comprise IC,Modules,Potentiometer,IC Socket,Relay,Connector.Our parts cover such applications as commercial,industrial, and automotives areas.

We are looking forward to setting up business relationship with you and hope to provide you with the best service and solution. Let us make a better world for our industry!



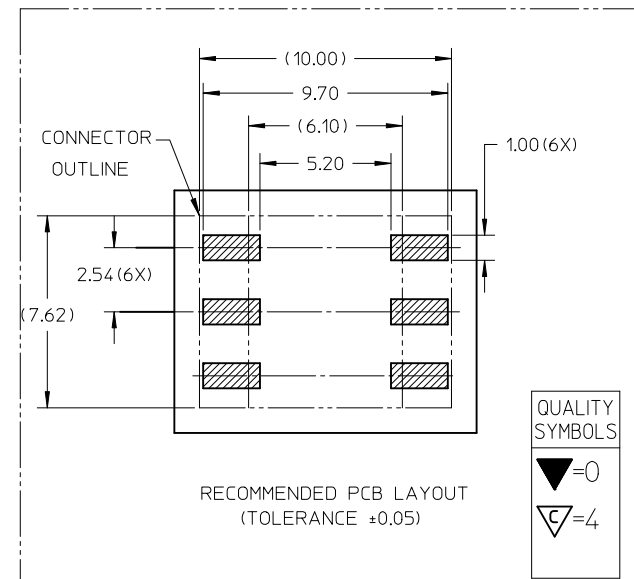
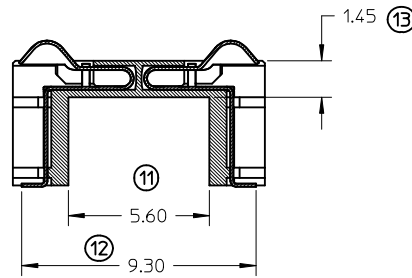
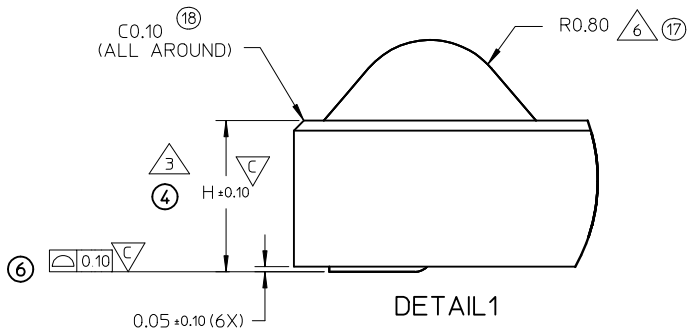
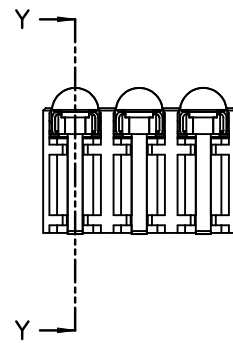
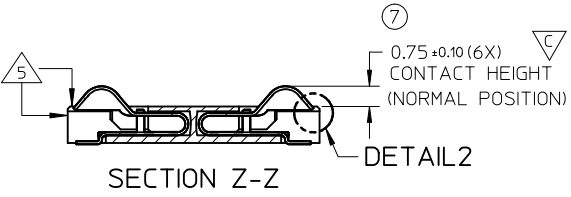
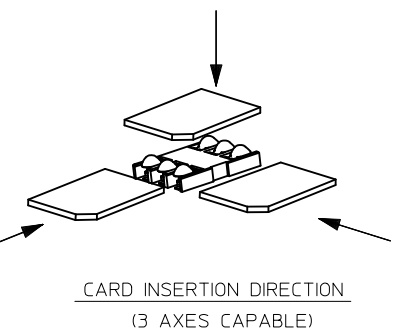
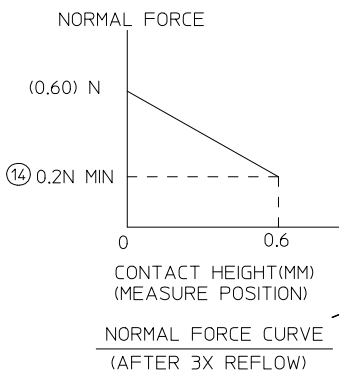
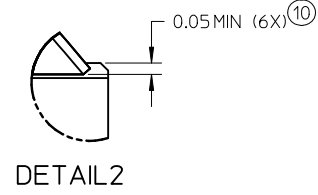
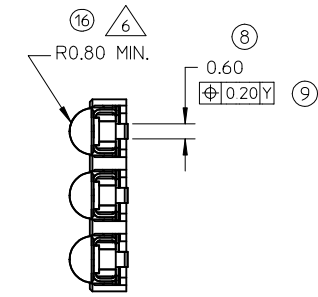
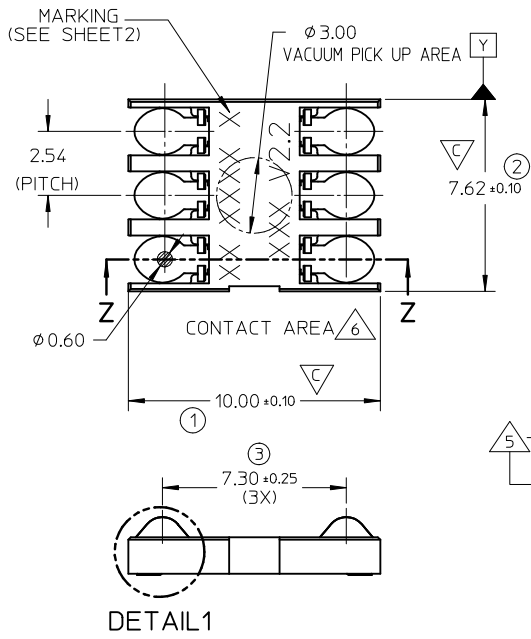
## Contact us

Tel: +86-755-8981 8866 Fax: +86-755-8427 6832

Email & Skype: info@chipsmall.com Web: www.chipsmall.com

Address: A1208, Overseas Decoration Building, #122 Zhenhua RD., Futian, Shenzhen, China





QUALITY SYMBOLS

▼=0

▽=4

- NOTES:
- 1 MATERIAL:
    - 1-1 HOUSING : LCP 30% GLASS FILL, UL94 V-0,COLOR BLACK
    - 1-2 TERMINAL : PHOSPHOR BRONZE 0.12MM REF THICKNESS
  - 2 PLATING:TERMINAL:
    - 2-1 SIM SIDE (CONTACT AREA): 0.8 MICROMETER MIN GOLD
    - 2-1 SOLDER TAIL : GOLD FLASH 0.05 MICROMETER MIN
    - 2-3 UNDERPLATING : 2 MICROMETER NICKEL OVERALL
  - 3 H DIMENSION MINIMUM=1.50,MAXIMUM=5.00(SEE CHART ON SHEET2)
  - 4 NO SHARP EDGES INTERFACING WITH THE PCB OR SIM CARD
  - 5 CONTACT MUST NOT EXTENDED BEYOND HOUSING EDGE DURING DEFLECTION AND MUST LOWER THAN HOUSING LEVEL AFTER 3 TIMES REFLOW
  - 6 MAINTAIN IN CONTACT AREA

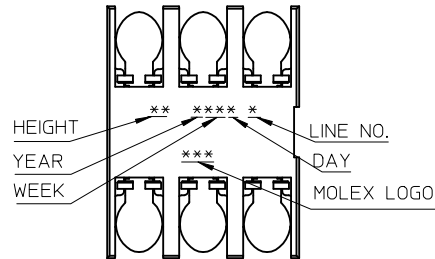
RELEASED EC NO:58122000-03955 DRWN:JL1U39 CHKD:LANDY APPR:WFDENG 2010/03/10 2010/03/10 2010/04/02	QUALITY SYMBOLS	GENERAL TOLERANCES (UNLESS SPECIFIED)	DIMENSION STYLE	SCALE	DESIGN UNITS	THIRD ANGLE PROJECTION
	▽=0	mm INCH	MM ONLY	NTS	METRIC	
	▽=0	4 PLACES ± --- ± ---	DRAWN BY DATE			TITLE
	▽=0	3 PLACES ± --- ± ---	JLU 2004/03/21			6 CKT SCALABLE SIM CONNECTOR
	ANGULAR ± 2 °	2 PLACES ± 0.10 ± ---	CHECKED BY DATE			
		1 PLACE ± 0.2 ± ---	YJWU 2004/03/21			
			APPROVED BY DATE			
			WFDENG 2010/03/29			
			MATERIAL NO.			
			SEE TABLE			
			SIZE			
			A3			
			THIS DRAWING CONTAINS INFORMATION THAT IS PROPRIETARY TO MOLEX INCORPORATED AND SHOULD NOT BE USED WITHOUT WRITTEN PERMISSION			

10	
9	
8	
7	
6	
5	
4	
3	
2	
1	

PART NUMBER	DIM H
470192002	2.0
470192402	2.4

HEIGHT	YEAR	WEEK	DAY	LINE NO.	MOLEX LOGO		
15--50	0--9	01--52	1--7	1--	MSH	MCH	MCD
Example 20	Example 0-2010	Example 13	Example 1	Example 2	PRODUCE IN SHANGHAI	PRODUCE IN DONG GUAN	PRODUCE IN CHENG DU

 PRODUCTION TOOL PART PRINTED DATE CODE



RELEASED EC NO: 58122000-00355 DRWN: JLU39 CHKD: LANDY APPR: WFDENG	2010/03/10 2010/03/10 2010/04/02	DESCRIPTION REV	QUALITY SYMBOLS	GENERAL TOLERANCES (UNLESS SPECIFIED)	DIMENSION STYLE	SCALE	DESIGN UNITS	THIRD ANGLE PROJECTION			
			$F_A=0$	mm	MM ONLY	NTS	METRIC	TITLE			
			$F_G=0$	INCH	DATE	DATE	6 CKT				
			$F_P=0$	4 PLACES ± --- ± ---	DATE	DATE	SCALABLE SIM CONNECTOR				
			3 PLACES ± --- ± ---	DATE	DATE	MOLEX INCORPORATED					
			2 PLACES ± 0.10 ± ---	DATE	DATE	DOCUMENT NO.					
			1 PLACE ± 0.2 ± ---	DATE	DATE	SD-47019-001					
			ANGULAR ± 2 °	DATE	DATE	SHEET NO.					
				DATE	DATE	2 OF 2					
				DATE	DATE	THIS DRAWING CONTAINS INFORMATION THAT IS PROPRIETARY TO MOLEX INCORPORATED AND SHOULD NOT BE USED WITHOUT WRITTEN PERMISSION					