



Chipsmall Limited consists of a professional team with an average of over 10 year of expertise in the distribution of electronic components. Based in Hongkong, we have already established firm and mutual-benefit business relationships with customers from,Europe,America and south Asia,supplying obsolete and hard-to-find components to meet their specific needs.

With the principle of “Quality Parts,Customers Priority,Honest Operation,and Considerate Service”,our business mainly focus on the distribution of electronic components. Line cards we deal with include Microchip,ALPS,ROHM,Xilinx,Pulse,ON,Everlight and Freescale. Main products comprise IC,Modules,Potentiometer,IC Socket,Relay,Connector.Our parts cover such applications as commercial,industrial, and automotives areas.

We are looking forward to setting up business relationship with you and hope to provide you with the best service and solution. Let us make a better world for our industry!



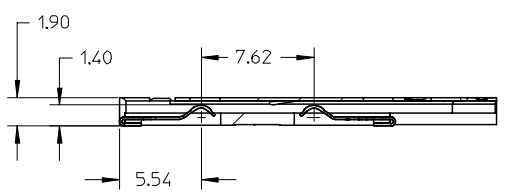
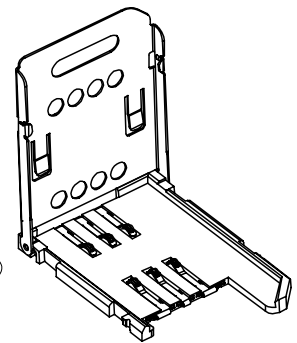
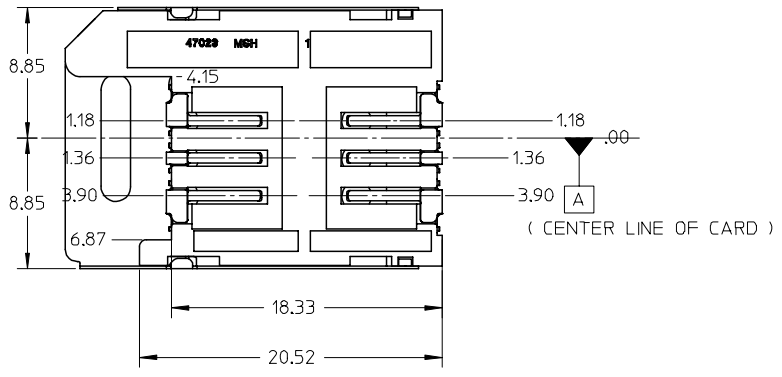
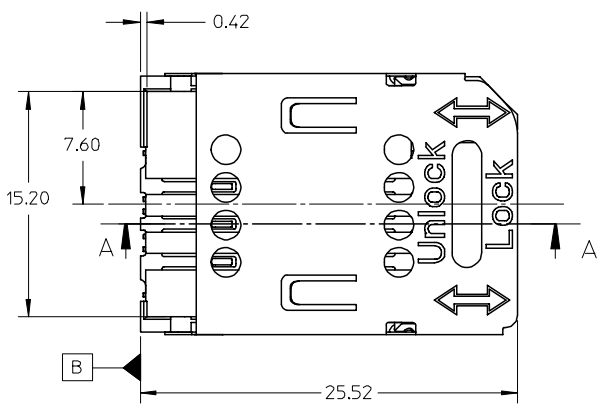
## Contact us

Tel: +86-755-8981 8866 Fax: +86-755-8427 6832

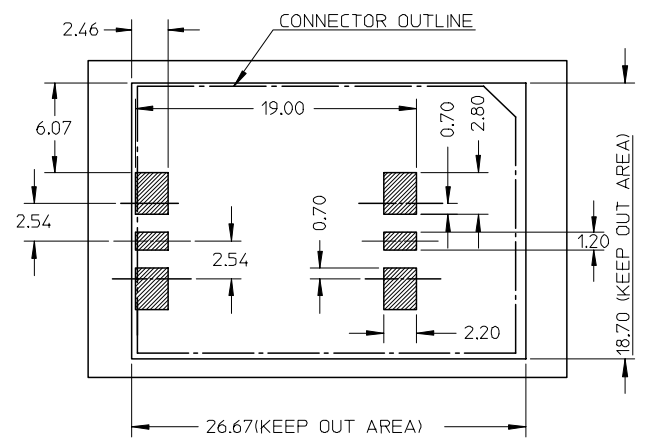
Email & Skype: info@chipsmall.com Web: www.chipsmall.com

Address: A1208, Overseas Decoration Building, #122 Zhenhua RD., Futian, Shenzhen, China





SECTION A-A



RECOMMENDED PCB LAYOUT(±0.05MM)

- NOTES:
- MATERIALS:
    - HOUSING: LCP,30% GLASS-FILLED,UL 94V-0, COLOR IS BLACK.
    - TERMINAL: PHOSPHOR BRONZE,THICKNESS:0.15 MM.
    - COVER SHELL: STAINLESS STEEL,THICKNESS:0.2MM.
  - FINISH:
    - CONTACT AREA: 0.75 MICRON GOLD PLATE OVER 1.27 MICRON NICKEL MIN.
    - SOLDER AREA: 3.8 MICRON TIN PLATE OVER MICRON NICKEL MIN.
  - COPLANARITY: 0.1 MAX. AMONG THESE SOLDER TAILS.
    - THE LOWEST ONE CANNOT BE LOWER THAN 0.15MM BENEATH THE HOUSING AND THE HIGHEST ONE CANNOT BE ABOVE THE BOTTOM OF HOUSING.
  - PRODUCT SPECIFICATION: PS-47023-001.
  - PACKAGING SPECIFICATION: PK-47023-001.

ADD CORE OUT EC NO: SH2006-0240 DRWN:CYZHU CHKD:YJWU APPR:GCHEN	2005/11/11 2005/11/14 2005/11/17	DESCRIPTION REV	QUALITY SYMBOLS	GENERAL TOLERANCES (UNLESS SPECIFIED) <table border="1"> <thead> <tr> <th></th> <th>mm</th> <th>INCH</th> </tr> </thead> <tbody> <tr> <td>4 PLACES</td> <td>± ---</td> <td>± ---</td> </tr> <tr> <td>3 PLACES</td> <td>± ---</td> <td>± ---</td> </tr> <tr> <td>2 PLACES</td> <td>± 0.2</td> <td>± ---</td> </tr> <tr> <td>1 PLACE</td> <td>± ---</td> <td>± ---</td> </tr> </tbody> </table>		mm	INCH	4 PLACES	± ---	± ---	3 PLACES	± ---	± ---	2 PLACES	± 0.2	± ---	1 PLACE	± ---	± ---	DIMENSION STYLE	SCALE	DESIGN UNITS	THIRD ANGLE PROJECTION
					mm	INCH																	
			4 PLACES		± ---	± ---																	
			3 PLACES		± ---	± ---																	
2 PLACES	± 0.2	± ---																					
1 PLACE	± ---	± ---																					
$\nabla=0$ $\nabla C=0$	MM ONLY	3:1	METRIC																				
DRAWN BY JTIAN CHECKED BY GRMA APPROVED BY SHUANG	DATE 2004/05/11 DATE 2004/05/11 DATE 2004/05/11	TITLE 1.9MM (HEIGHT) HINGED SIM CARD READER CONNECTOR																					
MATERIAL NO. 470230001	DOCUMENT NO. SD-47023-001	MOLEX INCORPORATED																					