



Chipsmall Limited consists of a professional team with an average of over 10 year of expertise in the distribution of electronic components. Based in Hongkong, we have already established firm and mutual-benefit business relationships with customers from,Europe,America and south Asia,supplying obsolete and hard-to-find components to meet their specific needs.

With the principle of “Quality Parts,Customers Priority,Honest Operation,and Considerate Service”,our business mainly focus on the distribution of electronic components. Line cards we deal with include Microchip,ALPS,ROHM,Xilinx,Pulse,ON,Everlight and Freescale. Main products comprise IC,Modules,Potentiometer,IC Socket,Relay,Connector.Our parts cover such applications as commercial,industrial, and automotives areas.

We are looking forward to setting up business relationship with you and hope to provide you with the best service and solution. Let us make a better world for our industry!



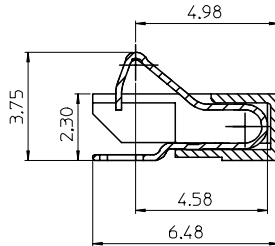
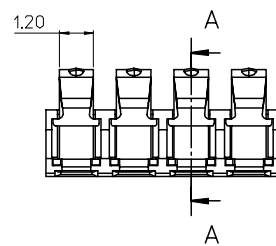
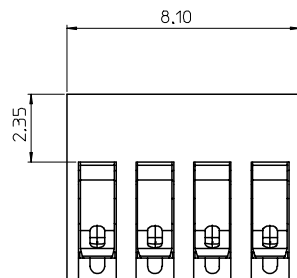
Contact us

Tel: +86-755-8981 8866 Fax: +86-755-8427 6832

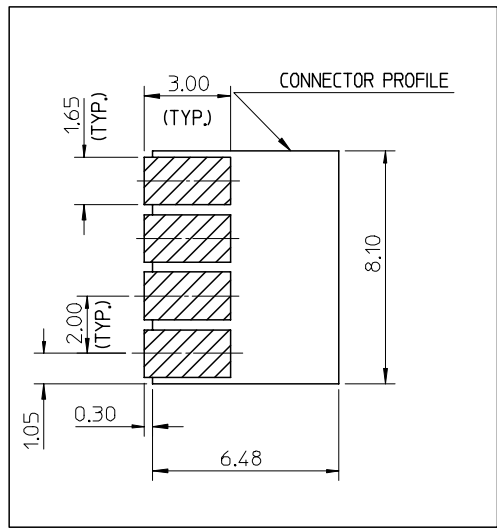
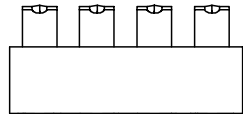
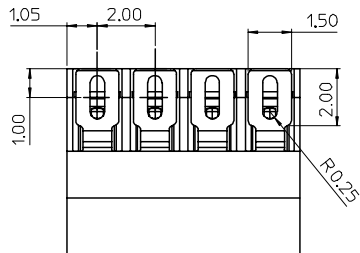
Email & Skype: info@chipsmall.com Web: www.chipsmall.com

Address: A1208, Overseas Decoration Building, #122 Zhenhua RD., Futian, Shenzhen, China

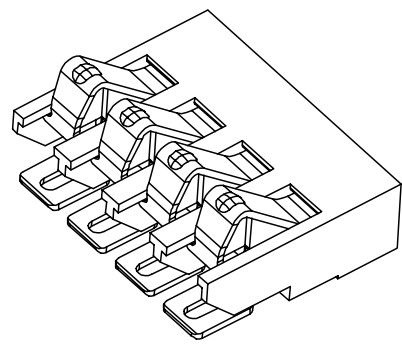




SECTION A-A



RECOMMENDED FOOT PRINT



NOTE:

- 1.MATERIAL:
HOUSING: LCP, 30% GLASS-FILLED, UL 94V-0, COLOR :BLACK
TERMINAL: 0.20MM PHOSPHOR BRONZE.
- 2.FINISH:
CONTACT AREA: 0.75 MICRON GOLD MIN OVER 1.25 MICRON NICKEL MIN.
SOLDER AREA: 3.75 MICRON PURE TIN MIN OVER 1.25 MICRON NICKEL MIN.
REST AREA: 1.25 MICRON NICKEL MIN.
- 3.COPLANARITY: 0.1 MAX AMONG THESE SOLDER TAILS.
- 4.PRODUCT SPECIFICATION: PS-47103-001

EC NO: SH2005-0060 DRWN: JIAN 2004/08/20 CHKD: GRATE M 2004/08/24 APPR: SHUANG 2004/08/24	QUALITY SYMBOLS ▽ = 0 ▽C = 0	GENERAL TOLERANCES (UNLESS SPECIFIED)		SCALE 5:1	DESIGN UNITS METRIC	THIRD ANGLE PROJECTION	REVISE ON CAD ONLY		
		mm	INCH	DIMENSION STYLE MM ONLY		TITLE 2.0MM PITCH 4 CIRCUITS BATTERY CONNECTOR			
REV	DESCRIPTION	4 PLACES	± ---	± ---	DRAWN BY JOHNSON	DATE 2004/03/03	MATERIAL NO. 471030001	DOCUMENT NO. SD-47103-001	SHEET NO. 1 OF 1
		3 PLACES	± ---	± ---	CHECKED BY GRMA	DATE 2004/03/03			
		2 PLACES	± 0.13	± ---	APPROVED BY SHUANG		DATE 2004/03/03		
		1 PLACE	± 0.13	± ---	DRAFT WHERE APPLICABLE		MUST REMAIN WITHIN DIMENSIONS		
THIS DRAWING CONTAINS INFORMATION THAT IS PROPRIETARY TO MOLEX INCORPORATED AND SHOULD NOT BE USED WITHOUT WRITTEN PERMISSION									