



Chipsmall Limited consists of a professional team with an average of over 10 year of expertise in the distribution of electronic components. Based in Hongkong, we have already established firm and mutual-benefit business relationships with customers from,Europe,America and south Asia,supplying obsolete and hard-to-find components to meet their specific needs.

With the principle of “Quality Parts,Customers Priority,Honest Operation,and Considerate Service”,our business mainly focus on the distribution of electronic components. Line cards we deal with include Microchip,ALPS,ROHM,Xilinx,Pulse,ON,Everlight and Freescale. Main products comprise IC,Modules,Potentiometer,IC Socket,Relay,Connector.Our parts cover such applications as commercial,industrial, and automotives areas.

We are looking forward to setting up business relationship with you and hope to provide you with the best service and solution. Let us make a better world for our industry!



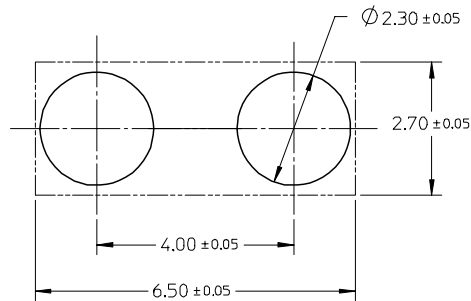
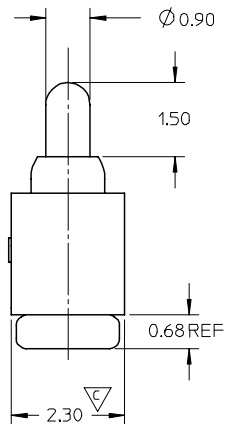
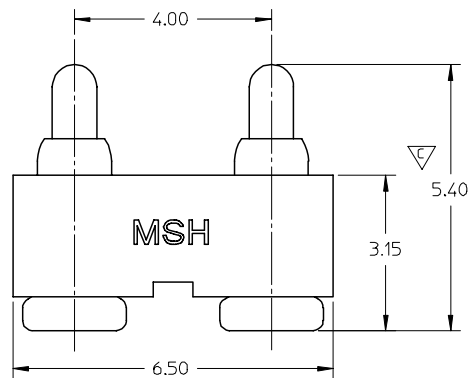
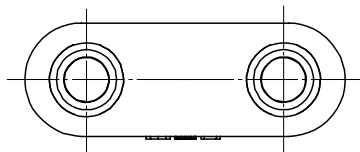
Contact us

Tel: +86-755-8981 8866 Fax: +86-755-8427 6832

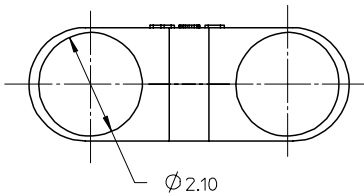
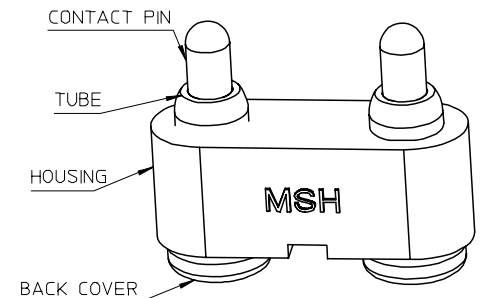
Email & Skype: info@chipsmall.com Web: www.chipsmall.com

Address: A1208, Overseas Decoration Building, #122 Zhenhua RD., Futian, Shenzhen, China





RECOMMEND PCB LAYOUT
COMPONENT SIDE



NOTES:

1 MATERIAL:

- 1-1 CONTACT PIN, TUBE, BACK COVER : BRASS
- 1-2 SPRING : STAINLESS-STEEL WIRE
- 1-3 HOUSING : NYLON 46 UL 94-V0, BLACK

2 FINISH:

- 2-1 CONTACT PIN : OVERALL 1.04μm MIN. GOLD OVER 3~54μm NICKEL
- 2-2 SOLDER TERMINAL(BACK COVER) : OVERALL 0.05~0.34μm GOLD OVER 2~44μm NICKEL

3 PRODUCT SPECIFICATION: PS-47119-001

4 MECHANICAL SPECIFICATION:

- 4-1 CONTACT FORCE AT WORKING HEIGHT OF 4.60mm (PER CONTACT) : 63±15g
- CONTACT FORCE AT WORKING HEIGHT OF 4.32mm (PER CONTACT) : 75±15g
- CONTACT FORCE AT WORKING HEIGHT OF 4.00mm (PER CONTACT) : 92±15g
- 4-2 DURABILITY MATED 10,000 TIMES AND STILL MEET MECHANICAL CHARACTERISTICS

5 ELECTRICAL SPECIFICATION:

- 5-1 RATED VOLTAGE (PER CONTACT) : 12 VOLTS MAX.
- 5-2 RATED CURRENT (PER CONTACT) : 2 AMPS MAX.
- 5-3 CONTACT RESISTANCE: 25 MILLIOHMS MAX.

CHANGE PLATING SPEC.	EC NO: 2005/10/17	DRWN: XJU	CHKD:	APPR:	DESCRIPTION	QUALITY SYMBOLS		GENERAL TOLERANCES (UNLESS SPECIFIED)		DIMENSION STYLE		SCALE	DESIGN UNITS	THIRD ANGLE PROJECTION		
						▽=0	▽=2	mm	INCH	MM ONLY		10:1	METRIC			
						4 PLACES ±---	±---	±---	±---	DRAWN BY	DATE	TITLE				
						3 PLACES ±---	±---	±---	±---	XU XIANG	2005-04-20	2 PIN POGO PIN CONNECTOR				
						2 PLACES ±0.15	±---	±---	±---	CHECKED BY	DATE					
						1 PLACE ±---	±---	±---	±---	Y. J WU	2005-04-20					
						ANGULAR ±1/2°				APPROVED BY	DATE					
										VINCENT	2005-04-20					
										MATERIAL NO.		DOCUMENT NO.	SHEET NO.			
										471190001		SD-47119-001	1 OF 1			
										DRAFT WHERE APPLICABLE MUST REMAIN WITHIN DIMENSIONS						
										SIZE A3 THIS DRAWING CONTAINS INFORMATION THAT IS PROPRIETARY TO MOLEX INCORPORATED AND SHOULD NOT BE USED WITHOUT WRITTEN PERMISSION						