



Chipsmall Limited consists of a professional team with an average of over 10 year of expertise in the distribution of electronic components. Based in Hongkong, we have already established firm and mutual-benefit business relationships with customers from,Europe,America and south Asia,supplying obsolete and hard-to-find components to meet their specific needs.

With the principle of “Quality Parts,Customers Priority,Honest Operation,and Considerate Service”,our business mainly focus on the distribution of electronic components. Line cards we deal with include Microchip,ALPS,ROHM,Xilinx,Pulse,ON,Everlight and Freescale. Main products comprise IC,Modules,Potentiometer,IC Socket,Relay,Connector.Our parts cover such applications as commercial,industrial, and automotives areas.

We are looking forward to setting up business relationship with you and hope to provide you with the best service and solution. Let us make a better world for our industry!



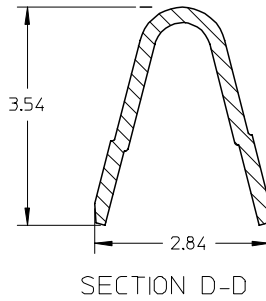
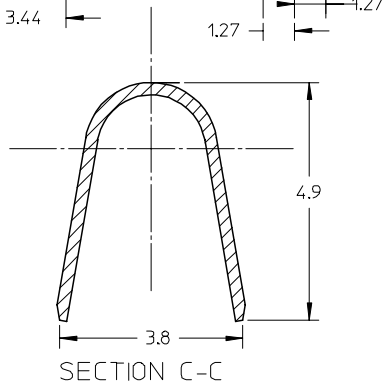
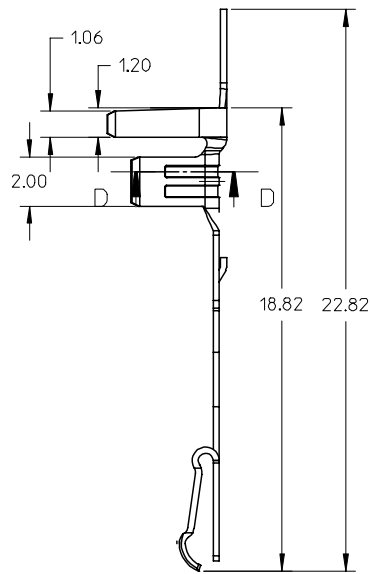
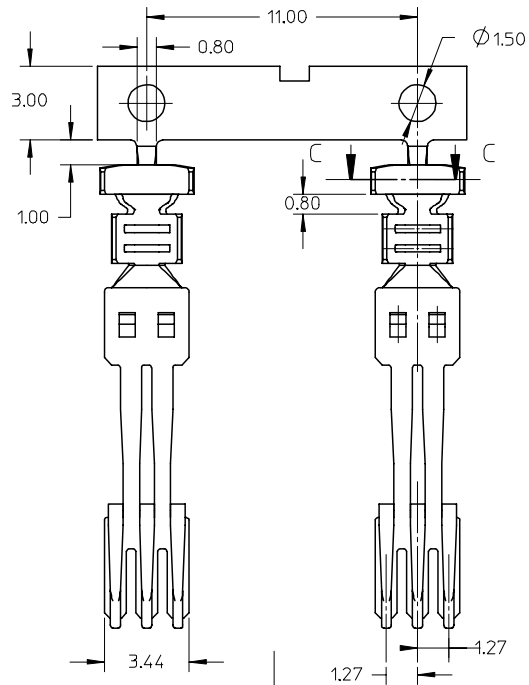
Contact us

Tel: +86-755-8981 8866 Fax: +86-755-8427 6832

Email & Skype: info@chipsmall.com Web: www.chipsmall.com

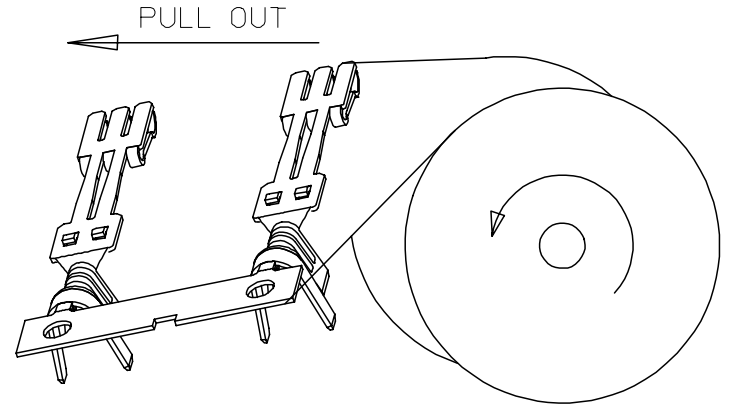
Address: A1208, Overseas Decoration Building, #122 Zhenhua RD., Futian, Shenzhen, China





NOTES:

1. MATERIAL:
PHOSPHOR BRONZE, THICKNESS = 0.25mm
2. PLATING:
CONTACT AREA: GOLD PLATING.
CRIMPING AREA:
TIN, THICKNESS=1.875 MICROMETER MINIMUM.
UNDER PLATE:
NICKEL, THICKNESS=1.25 MICROMETER MINIMUM.
3. TO BE USED WITH 67582, 5 SETS TERMINAL PER HOUSING
4. PRODUCT SPECIFICATION REFER TO PS-67490-002
5. PACKAGE SPECIFICATION REFER TO PK-67581-001
6. CRIMPING SPECIFICATION REFER TO CS-47128-001
7. RECOMMEND WIRE SIZE:
18+18/18+20/18+22/20+20/20+22AWG



PART NUMBER	PLATING TYPE
47128-1002	0.38 MICRONS GOLD PLATING
47128-1001	0.76 MICRONS GOLD PLATING
47128-1000	GOLD FLASH

EC NO: SH2006-0105	DRWN: GRMA 2005/12/06	CHKD: 2005/12/08	APPR: CCHEN 2006/01/05
D	REV	DESCRIPTION	

QUALITY SYMBOLS	DESCRIPTION
▲ - 1	
▽ - 1	

	GENERAL TOLERANCES (UNLESS SPECIFIED)	
	mm	INCH
4 PLACES	± ---	± ---
3 PLACES	± ---	± ---
2 PLACES	± 0.25	± ---
1 PLACE	± 0.3	± ---
ANGULAR		± 2 °
DRAFT WHERE APPLICABLE MUST REMAIN WITHIN DIMENSIONS		

SCALE 4:1	DESIGN UNITS METRIC
DIMENSION STYLE MM ONLY	
DRAWN BY GRATE	DATE 2004/04/05
CHECKED BY YA JUN	DATE 2004/04/05
APPROVED BY SAM	DATE 2004/04/05

THIRD ANGLE PROJECTION	REVISE ON CAD ONLY
TITLE TERMINAL FOR SERIAL ATA POWER CABLE RECEPTACLE CRIMPING TYPE	
MOLEX INCORPORATED	
MATERIAL NO. SEE TABLE	DOCUMENT NO. SD-47128-001
SHEET NO. 1 OF 1	
THIS DRAWING CONTAINS INFORMATION THAT IS PROPRIETARY TO MOLEX INCORPORATED AND SHOULD NOT BE USED WITHOUT WRITTEN PERMISSION	