



Chipsmall Limited consists of a professional team with an average of over 10 year of expertise in the distribution of electronic components. Based in Hongkong, we have already established firm and mutual-benefit business relationships with customers from,Europe,America and south Asia,supplying obsolete and hard-to-find components to meet their specific needs.

With the principle of “Quality Parts,Customers Priority,Honest Operation,and Considerate Service”,our business mainly focus on the distribution of electronic components. Line cards we deal with include Microchip,ALPS,ROHM,Xilinx,Pulse,ON,Everlight and Freescale. Main products comprise IC,Modules,Potentiometer,IC Socket,Relay,Connector.Our parts cover such applications as commercial,industrial, and automotives areas.

We are looking forward to setting up business relationship with you and hope to provide you with the best service and solution. Let us make a better world for our industry!



Contact us

Tel: +86-755-8981 8866 Fax: +86-755-8427 6832

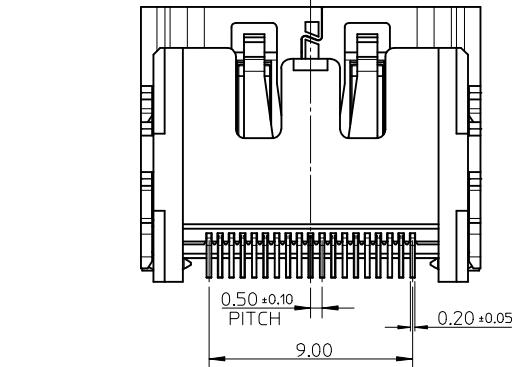
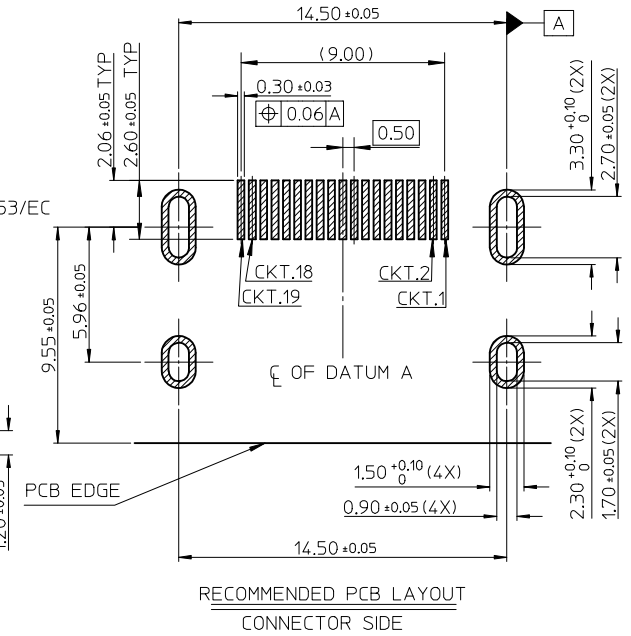
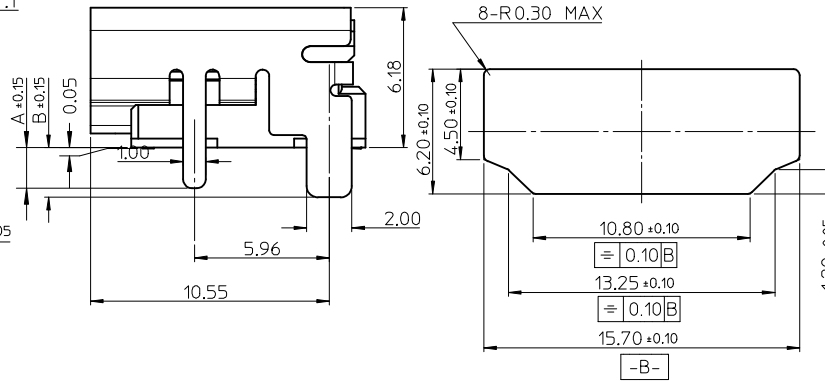
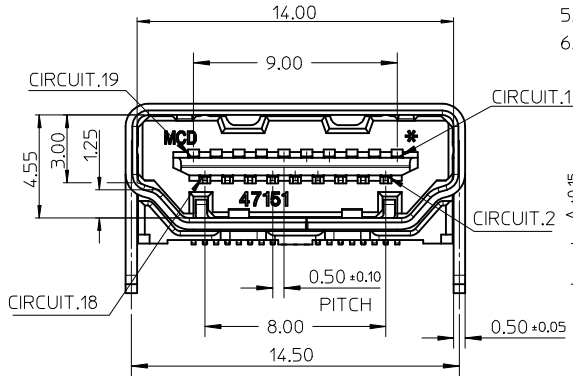
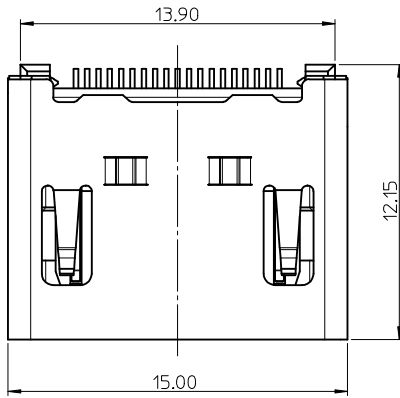
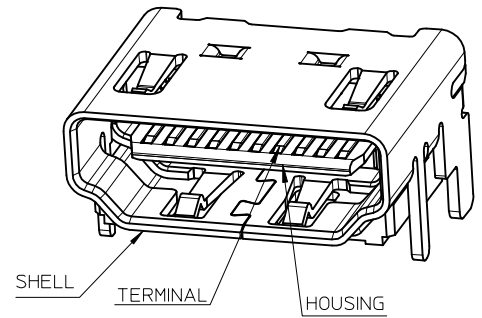
Email & Skype: info@chipsmall.com Web: www.chipsmall.com

Address: A1208, Overseas Decoration Building, #122 Zhenhua RD., Futian, Shenzhen, China



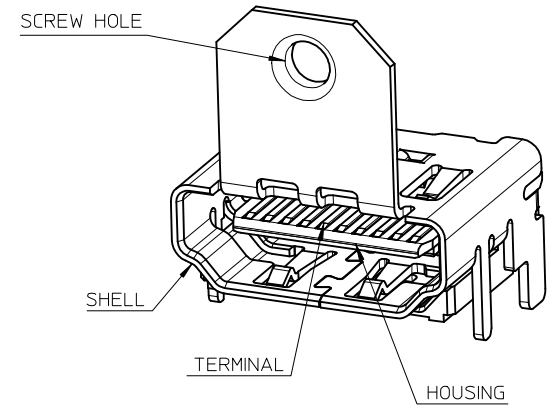
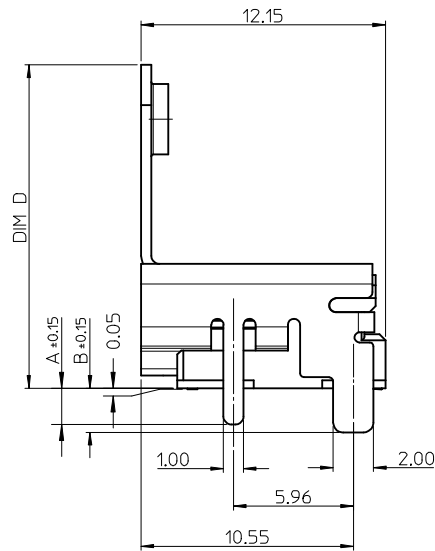
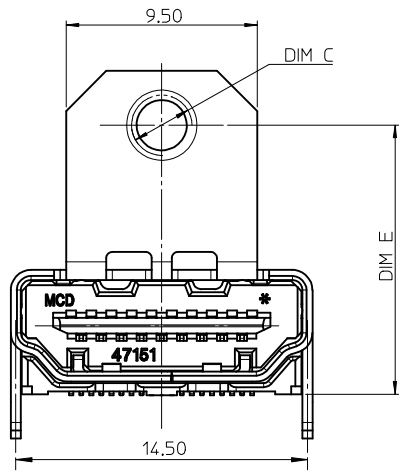
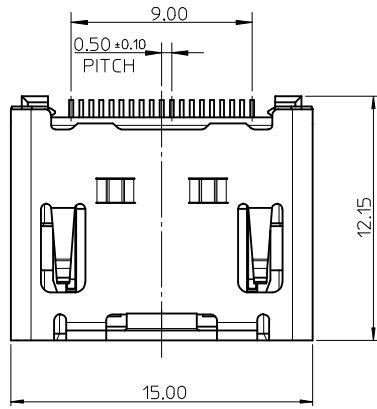
NOTES:

- MATERIAL:
HOUSING: THERMOPLASTIC . COLOR: SEE TABLE.
SHELL: COPPER ALLOY,
TERMINAL: COPPER ALLOY.
- PLATING:
TERMINAL:
CONTACT AREA: (1) 0.76 MICROMETER MIN. GOLD PLATING,
(2) 0.25 MICROMETER MIN. GOLD PLATING,
(3) GOLD FLASH,
(4) 0.375 MICROMETER MIN. GOLD PLATING,
(5) GOLD FLASH OVER PD/NI
SOLDER AREA: 1 MICROMETER MIN. TIN-BISMUTH ALLOY PLATED,
UNDER PLATE: 1.27 MICROMETER MIN. NICKEL.
SHELL: (a) 1.27 MICROMETER MIN. SOLDERABLE NICKEL PLATE OVERALL,
(b) GOLD FLASH PLATING OVER 1.27 MICROMETER MIN. NICKEL PLATING OVERALL.
- COPLANARITY IS 0.1MM MAX.
- PRODUCT SPECIFICATION REFER TO PS-47152-001 ; TBA FOR PD/NI OPTION
- PACKAGE SPECIFICATION FOR WITHOUT FLANGE REFER TO PK-47151-001.
- PRODUCT COMPLIANT TO RoHS DEIRECTIVE 2002/95/EC AND ELV DIRECTIVE 2000/53/EC



RECOMMENDED PANEL CUT OUT DIMENSION

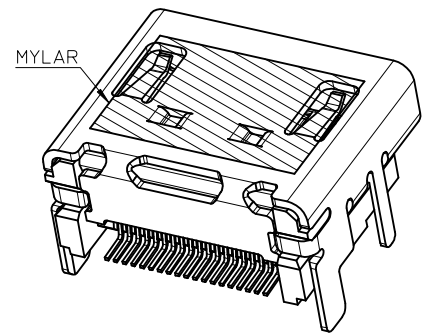
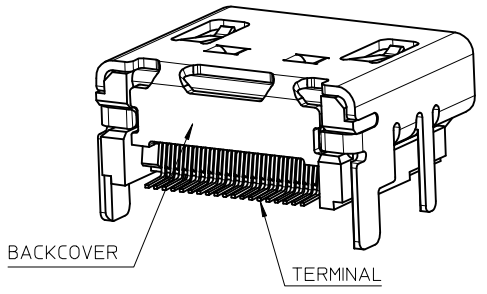
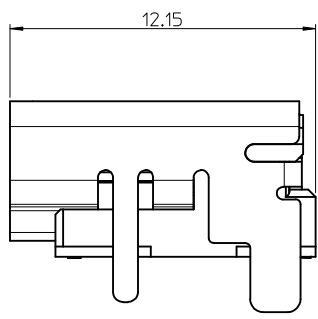
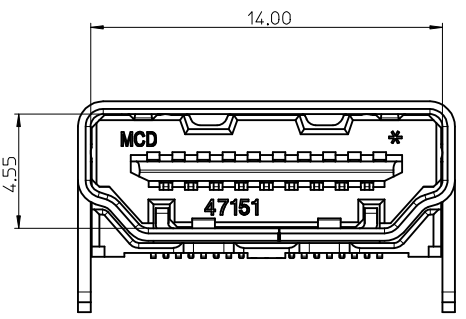
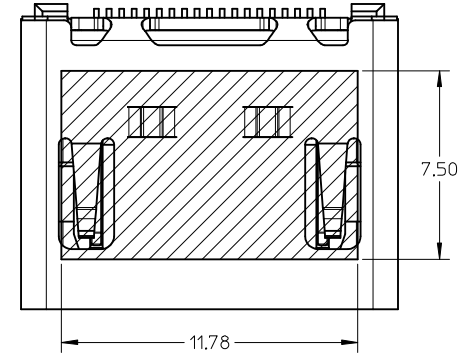
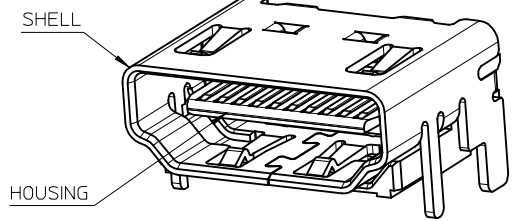
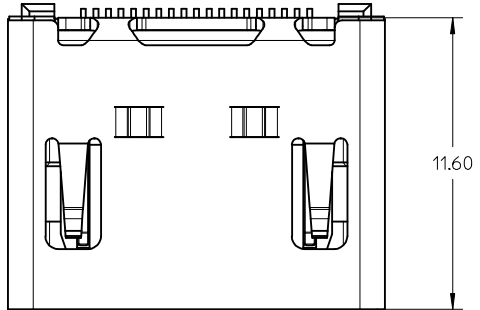
MARK UPDATED EC NO: S2016-0465 DRW:HTGU02 2015/11/10 CHKD:JZENG 2015/12/09 APPR:KHLIM 2015/12/15	QUALITY SYMBOLS F=0 F=0 F=0	GENERAL TOLERANCES (UNLESS SPECIFIED)		DIMENSION STYLE IN/MM		SCALE 5:1	DESIGN UNITS METRIC	THIRD ANGLE PROJECTION		
		4 PLACES ± --- ± ---	3 PLACES ± --- ± ---	mm	INCH	DRAWN BY RZHANG	DATE 2004/07/20	TITLE 1.0 HDMI RIGHT ANGLE HEADER ASSEMBLY (19 PIN) LEAD FREE		
		2 PLACES ± 0.25 ± ---	1 PLACE ± 0.25 ± ---			CHECKED BY GRMA	DATE 2004/07/20	molex		
		0 PLACE ± --- ± ---			APPROVED BY YTYAP	DATE 2004/07/20				
DRAFT WHERE APPLICABLE MUST REMAIN WITHIN DIMENSIONS		ANGULAR ± 3 °		MATERIAL NO. SEE SHEET 6		DOCUMENT NO. SD-47151-001	SHEET NO. 1 OF 9			
THIS DRAWING CONTAINS INFORMATION THAT IS PROPRIETARY TO MOLEX INCORPORATED AND SHOULD NOT BE USED WITHOUT WRITTEN PERMISSION										



NOTES:
1. THE UNSPECIFIED DIMENSIONS AND FEATURE REFER TO SHEET 1.
2. PACKAGE SPECIFICATION FOR WITH FLANGE REFER TO PK-47151-002.

SEE SHEET 1 EC NO: S2016-0465 DRWN:HTGU002 CHKD:JZENG APPR:KHL JM	REV L5	DESCRIPTION	QUALITY SYMBOLS	GENERAL TOLERANCES (UNLESS SPECIFIED)	DIMENSION STYLE	SCALE	DESIGN UNITS	THIRD ANGLE PROJECTION																		
			$\nabla_A = 0$ $\nabla_C = 0$ $\nabla_F = 0$	<table border="1"> <thead> <tr> <th></th> <th>mm</th> <th>INCH</th> </tr> </thead> <tbody> <tr> <td>4 PLACES</td> <td>± ---</td> <td>± ---</td> </tr> <tr> <td>3 PLACES</td> <td>± ---</td> <td>± ---</td> </tr> <tr> <td>2 PLACES</td> <td>± 0.25</td> <td>± ---</td> </tr> <tr> <td>1 PLACE</td> <td>± 0.25</td> <td>± ---</td> </tr> <tr> <td>0 PLACE</td> <td>± ---</td> <td>± ---</td> </tr> </tbody> </table>		mm	INCH	4 PLACES	± ---	± ---	3 PLACES	± ---	± ---	2 PLACES	± 0.25	± ---	1 PLACE	± 0.25	± ---	0 PLACE	± ---	± ---	IN/MM	5:1	METRIC	
				mm	INCH																					
			4 PLACES	± ---	± ---																					
3 PLACES	± ---	± ---																								
2 PLACES	± 0.25	± ---																								
1 PLACE	± 0.25	± ---																								
0 PLACE	± ---	± ---																								
	ANGULAR ± 3 °	DRAWN BY	DATE	TITLE																						
	DRAFT WHERE APPLICABLE MUST REMAIN WITHIN DIMENSIONS	RZHANG	2004/07/20	1.0 HDMI RIGHT ANGLE HEADER ASSEMBLY (19 PIN) LEAD FREE																						
		CHECKED BY	DATE																							
		GRMA	2004/07/20																							
		APPROVED BY	DATE																							
		YTYAP	2004/07/20																							
		MATERIAL NO.	DOCUMENT NO.																							
		SEE SHEET 6	SD-47151-001																							
		SIZE	THIS DRAWING CONTAINS INFORMATION THAT IS PROPRIETARY TO MOLEX INCORPORATED AND SHOULD NOT BE USED WITHOUT WRITTEN PERMISSION																							
		A3																								

WITH BACK COVER

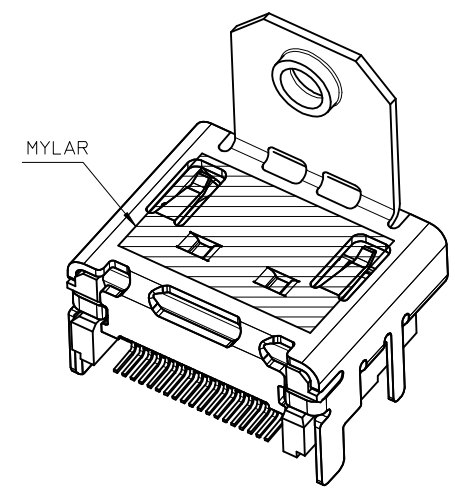
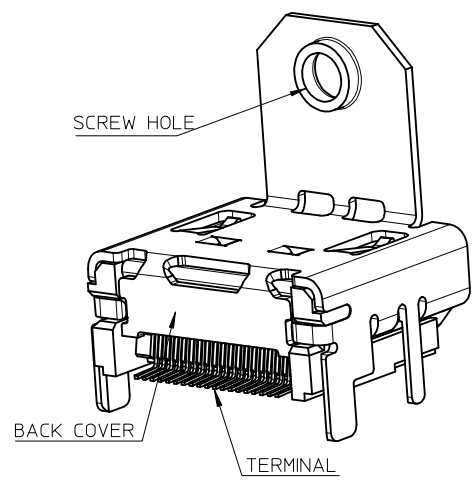
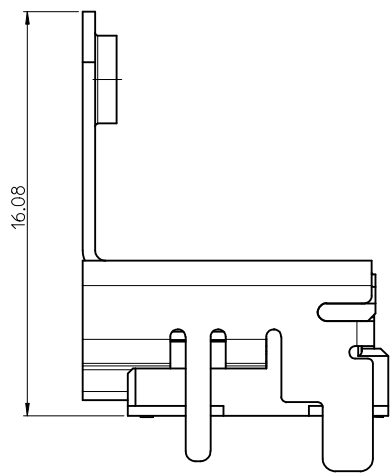
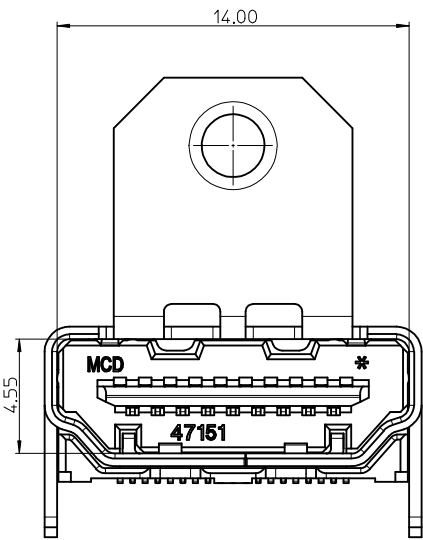
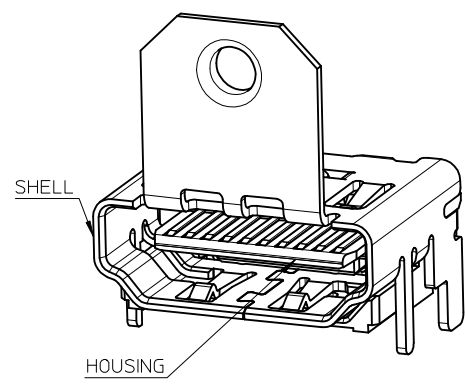
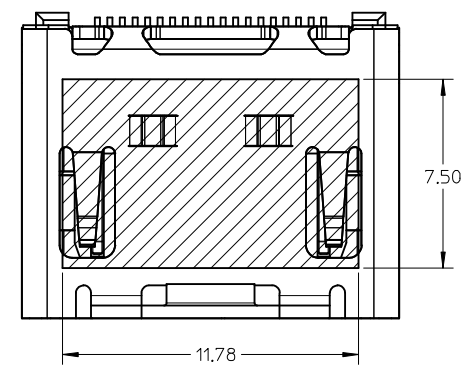
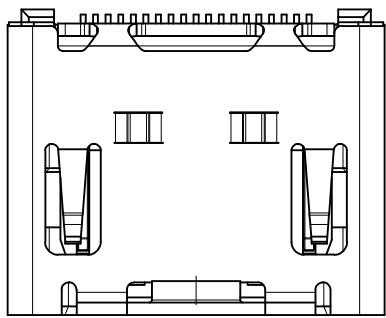


- NOTES:
1. THE UNSPECIFIED DIMENSIONS AND FEATURE REFER TO 47151-0001.
 2. PACKAGE SPECIFICATION FOR WITHOUT FLANGE REFER TO PK-47151-001.

THIS IS ONLY FOR 47151-1061/1071/1081

SEE SHEET 1 EC NO: S2016-0465 DRW: HTGU002 CHKD: ZENG APPR: KHL JM	2015/11/10 2015/12/09 2015/12/15	DESCRIPTION REV	QUALITY SYMBOLS	GENERAL TOLERANCES (UNLESS SPECIFIED)	DIMENSION STYLE	SCALE	DESIGN UNITS	THIRD ANGLE PROJECTION			
			$F_{\Delta} = 0$ $F_{\sigma} = 0$ $F_{\beta} = 0$	mm INCH 4 PLACES ± --- ± --- 3 PLACES ± --- ± --- 2 PLACES ± 0.25 ± --- 1 PLACE ± 0.25 ± --- 0 PLACE ± --- ± ---	IN/MM	5:1	METRIC	DRAWN BY: RZHANG DATE: 2004/07/20 CHECKED BY: GRMA DATE: 2004/07/20 APPROVED BY: YTYAP DATE: 2004/07/20	TITLE 1.0 HDMI RIGHT ANGLE HEADER ASSEMBLY (19 PIN) LEAD FREE		
			ANGULAR ± 3 ° DRAFT WHERE APPLICABLE MUST REMAIN WITHIN DIMENSIONS	MATERIAL NO. SEE SHEET 7	DOCUMENT NO. SD-47151-001	SHEET NO. 3 OF 9					
			L5			SIZE	THIS DRAWING CONTAINS INFORMATION THAT IS PROPRIETARY TO MOLEX INCORPORATED AND SHOULD NOT BE USED WITHOUT WRITTEN PERMISSION				
							molex				

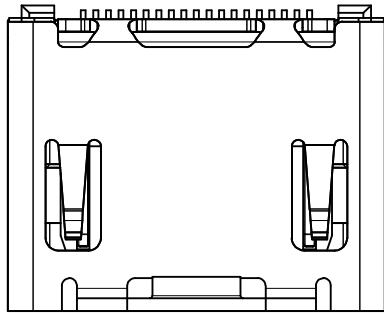
WITH BACK COVER



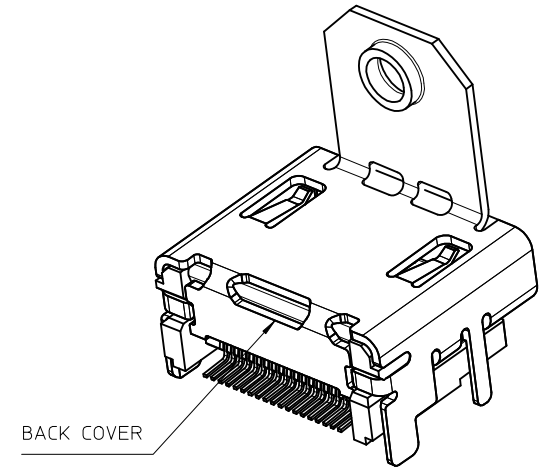
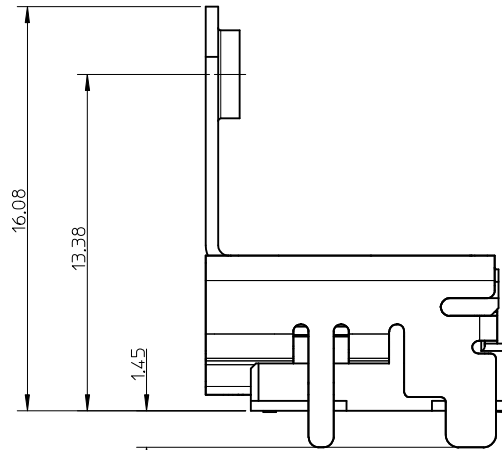
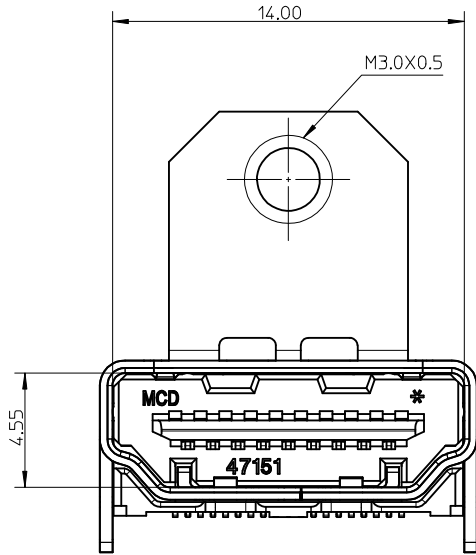
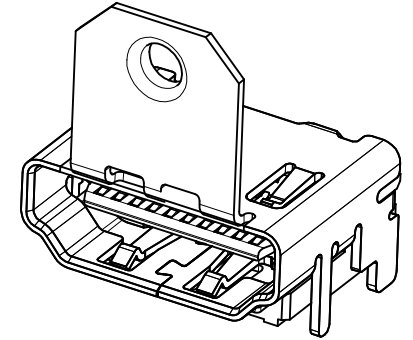
THIS IS ONLY FOR
47151-1025/1075/1085/6022/6032/1026/2062

NOTES:
1. THE UNSPECIFIED DIMENSIONS AND FEATURE REFER TO 47151-0002.
2. PACKAGE SPECIFICATION FOR WITH FLANGE:
OPTION 1: 47151-1026/2062/6032 REFER TO PK-47151-005.
OPTION 2: 47151-1102 REFER TO PK-47151-003.
OPTION 3: OTHER PART NUMBER REFER TO PK-47151-002.

SEE SHEET 1 EC NO: S2016-0465 DRW:NHTG0002 CHKD:JZENG APPR:KHLIM	2015/11/10 2015/12/09 2015/12/15	DESCRIPTION REV	QUALITY SYMBOLS	GENERAL TOLERANCES (UNLESS SPECIFIED)		DIMENSION STYLE IN/MM		SCALE 5:1	DESIGN UNITS METRIC	THIRD ANGLE PROJECTION			
			▽=0	mm	INCH	DRAWN BY RZHANG	DATE 2004/07/20	TITLE 1.0 HDMI RIGHT ANGLE HEADER ASSEMBLY (19 PIN) LEAD FREE					
			▽=0	4 PLACES ± --- ± ---	3 PLACES ± --- ± ---	2 PLACES ± 0.25 ± ---	1 PLACE ± 0.25 ± ---	0 PLACE ± --- ± ---	CHECKED BY GRMA	DATE 2004/07/20	molex MATERIAL NO. _____ DOCUMENT NO. SD-47151-001 SHEET NO. 4 OF 9		
			▽=0	ANGULAR ± 3 °		DRAFT WHERE APPLICABLE MUST REMAIN WITHIN DIMENSIONS		APPROVED BY YTYAP	DATE 2004/07/20	SEE SHEET 8			
L5		REV	SIZE A3		THIS DRAWING CONTAINS INFORMATION THAT IS PROPRIETARY TO MOLEX INCORPORATED AND SHOULD NOT BE USED WITHOUT WRITTEN PERMISSION								



WITHOUT TOP HOLE



NOTES:

1. THE UNSPECIFIED DIMENSIONS AND FEATURE REFER TO 47151-1102.
2. PACKAGE SPECIFICATION FOR WITH FLANGE REFER TO PK-47151-002.

SEE SHEET 1 EC NO: S2016-0465 DRW:HTG002 CHKD:JZENG APPR:KHLIM	2015/11/10 2015/12/09 2015/12/15	DESCRIPTION REV	QUALITY SYMBOLS	GENERAL TOLERANCES (UNLESS SPECIFIED)		DIMENSION STYLE		SCALE	DESIGN UNITS	THIRD ANGLE PROJECTION		
			$\nabla_A = 0$ $\nabla_C = 0$ $\nabla_B = 0$	mm	INCH	IN/MM	5:1	METRIC	DRAWN BY: RZHANG CHECKED BY: GRMA APPROVED BY: YTYAP DATE: 2004/07/20	DATE: 2004/07/20 DATE: 2004/07/20 DATE: 2004/07/20	TITLE: 1.0 HDMI RIGHT ANGLE HEADER ASSEMBLY (19 PIN) LEAD FREE	
			4 PLACES ± --- ± --- 3 PLACES ± --- ± --- 2 PLACES ± 0.25 ± --- 1 PLACE ± 0.25 ± --- 0 PLACE ± --- ± ---	ANGULAR ± 3 °		MATERIAL NO.	DOCUMENT NO.		SHEET NO.			
			DRAFT WHERE APPLICABLE MUST REMAIN WITHIN DIMENSIONS		SIZE: A3	SEE SHEET 7		SD-47151-001		5 OF 9		

	10	9				8		7		6	5	4	3	2	1
	ASSEMBLY P/N	DIMENSION				FEATURE				HOUSING COLOUR	GOLD PLATING IN CONTACT AREA	SHELL PLATING	REMARK		
	DIM A	DIM B	DIM C	DIM D	DIM E	FLANGE	BACK COVER	TOP HOLES	MYLAR						
F	47151-0001														
	47151-0041									BLACK	SEE NOTE 2 (1)				
	47151-0051										SEE NOTE 2 (2)				
	47151-0011										SEE NOTE 2 (3)	SEE NOTE 2 (a)			
	47151-0071	1.80	2.20	/	/	/	W/O	W/O	WITH	W/O	NATURE	SEE NOTE 2 (1)			
	47151-0061										SEE NOTE 2 (2)				
	47151-0021										SEE NOTE 2 (3)				
	47151-0031										BLACK	SEE NOTE 2 (1)	SEE NOTE 2 (b)		
	47151-0101										NATURE	SEE NOTE 2 (1)			FOR SHEET 1
	47151-0141										BLACK	SEE NOTE 2 (1)			
	47151-0151										SEE NOTE 2 (2)				
	47151-0111										SEE NOTE 2 (3)	SEE NOTE 2 (a)			
	47151-0181	1.45	1.45	/	/	/	W/O	W/O	WITH	W/O	NATURE	SEE NOTE 2 (1)			
	47151-0161										SEE NOTE 2 (2)				
	47151-0121										SEE NOTE 2 (3)				
	47151-0131										BLACK	SEE NOTE 2 (1)	SEE NOTE 2 (b)		
	47151-0002										NATURE	SEE NOTE 2 (1)			
	47151-0042										BLACK	SEE NOTE 2 (1)			
	47151-0062										SEE NOTE 2 (2)				
	47151-0012										SEE NOTE 2 (3)	SEE NOTE 2 (a)			
	47151-0052	1.80	2.20	M3.0x0.5	16.08	13.38	WITH	W/O	WITH	W/O	NATURE	SEE NOTE 2 (1)			
	47151-0072										SEE NOTE 2 (2)				
	47151-0022										SEE NOTE 2 (3)				
	47151-0032										BLACK	SEE NOTE 2 (1)	SEE NOTE 2 (b)		
	47151-0102										NATURE	SEE NOTE 2 (1)			
	47151-0142										BLACK	SEE NOTE 2 (2)			
	47151-0162										SEE NOTE 2 (3)	SEE NOTE 2 (a)			FOR SHEET 2
	47151-0112										SEE NOTE 2 (1)				
	47151-0152	1.45	1.45	M3.0x0.5	16.08	13.38	WITH	W/O	WITH	W/O	NATURE	SEE NOTE 2 (2)			
	47151-0172										SEE NOTE 2 (3)				
	47151-0122										BLACK	SEE NOTE 2 (1)	SEE NOTE 2 (b)		
	47151-0132										NATURE	SEE NOTE 2 (1)			
	47151-6002										BLACK	SEE NOTE 2 (1)			
	47151-6062	1.80	2.20	M3.0x0.5	14.25	11.28	WITH	W/O	WITH	W/O	BLACK	SEE NOTE 2 (2)			
	47151-6082										SEE NOTE 2 (3)	SEE NOTE 2 (a)			
	47151-6102										SEE NOTE 2 (1)				
	47151-6172	1.45	1.45	M3.0x0.5	14.25	11.28	WITH	W/O	WITH	W/O	BLACK	SEE NOTE 2 (2)			
	47151-6162										SEE NOTE 2 (3)				

SEE SHEET 1 EC NO: S2016-0465 DRW:HTGU002 CHKD:JZENG APPR:KLL JM	QUALITY SYMBOLS FA=0 FC=0 FB=0	GENERAL TOLERANCES (UNLESS SPECIFIED)		DIMENSION STYLE		SCALE	DESIGN UNITS	THIRD ANGLE PROJECTION			
				IN/MM		1:1	METRIC				
				mm	INCH	DRAWN BY	DATE	TITLE			
				4 PLACES ± --- ± ---	3 PLACES ± --- ± ---	RZHANG	2004/07/20	1.0 HDMI RIGHT ANGLE HEADER ASSEMBLY (19 PIN) LEAD FREE			
		2 PLACES ± 0.25 ± ---	1 PLACE ± 0.25 ± ---	CHECKED BY	DATE	molex					
		0 PLACE ± --- ± ---		GRMA	2004/07/20						
		ANGULAR ± 3 °		APPROVED BY	DATE	DOCUMENT NO.		SHEET NO.			
		DRAFT WHERE APPLICABLE MUST REMAIN WITHIN DIMENSIONS		YTYAP	2004/07/20	SD-47151-001		6 OF 9			
				MATERIAL NO.	SEE TABLE						
				THIS DRAWING CONTAINS INFORMATION THAT IS PROPRIETARY TO MOLEX INCORPORATED AND SHOULD NOT BE USED WITHOUT WRITTEN PERMISSION							


ASSEMBLY P/N	DIMENSION					FEATURE				HOUSING COLOUR	GOLD PLATING IN CONTACT AREA	SHELL PLATING	REMARK
	DIM A	DIM B	DIM C	DIM D	DIM E	FLANGE	BACK COVER	TOP HOLES	MYLAR				
47151-0401 47151-0411	1.80	2.20	/	/	/	W/O	W/O	WITH	W/O	BLACK NATURE	SEE NOTE 2 (5)	SEE NOTE 2 (a)	FOR SHEET 1
47151-0402	1.80	2.20	M3.0x0.5	16.08	13.38	WITH	W/O	WITH	W/O	BLACK	SEE NOTE 2 (5)	SEE NOTE 2 (a)	FOR SHEET 2

SEE SHEET 1 IEC NO: S2016-0465 DRW:HTGU002 CH:KD:JZENG APPR:KHLIM	2015/11/10 2015/12/09 2015/12/15	DESCRIPTION REV	QUALITY SYMBOLS	GENERAL TOLERANCES (UNLESS SPECIFIED)	DIMENSION STYLE	SCALE	DESIGN UNITS	THIRD ANGLE PROJECTION			
			$\nabla = 0$ $\nabla = 0$ $\nabla = 0$	mm INCH 4 PLACES ± --- ± --- 3 PLACES ± --- ± --- 2 PLACES ± 0.25 ± --- 1 PLACE ± 0.25 ± --- 0 PLACE ± --- ± ---	IN/MM	1:1	METRIC	DRAWN BY: RZHANG DATE: 2004/07/20 CHECKED BY: GRMA DATE: 2004/07/20 APPROVED BY: YTYAP DATE: 2004/07/20	TITLE: 1.0 HDMI RIGHT ANGLE HEADER ASSEMBLY (19 PIN) LEAD FREE		
			ANGULAR ± 3 ° DRAFT WHERE APPLICABLE MUST REMAIN WITHIN DIMENSIONS	SEE TABLE	MATERIAL NO.	DOCUMENT NO.	SHEET NO. 7 OF 9 molex				
			THIS DRAWING CONTAINS INFORMATION THAT IS PROPRIETARY TO MOLEX INCORPORATED AND SHOULD NOT BE USED WITHOUT WRITTEN PERMISSION								

ASSEMBLY P/N	DIMENSION					FEATURE				HOUSING COLOUR	GOLD PLATING IN CONTACT AREA	SHELL PLATING	REMARK
	DIM A	DIM B	DIM C	DIM D	DIM E	FLANGE	BACK COVER	TOP HOLES	MYLAR				
47151-1001	1.80	2.20	/	/	/	W/O	WITH	WITH	W/O	BLACK	SEE NOTE 2 (a)	SEE NOTE 2 (a)	SEE NOTE 2 (1)
47151-1041													SEE NOTE 2 (2)
47151-1051													SEE NOTE 2 (3)
47151-1003													SEE NOTE 2 (4)
47151-1061										BLACK			SEE NOTE 2 (1)
47151-1071													SEE NOTE 2 (2)
47151-1081													SEE NOTE 2 (3)
47151-1011										NATURE			SEE NOTE 2 (1)
47151-1211													SEE NOTE 2 (2)
47151-1311													SEE NOTE 2 (3)
47151-1021										BLACK			SEE NOTE 2 (1)
47151-1091													SEE NOTE 2 (3)
47151-1031													SEE NOTE 2 (1)
47151-1101										1.45			1.45
47151-1141	SEE NOTE 2 (2)												
47151-1151	SEE NOTE 2 (3)												
47151-1111	NATURE	SEE NOTE 2 (1)											
47151-1161		SEE NOTE 2 (2)											
47151-1171		SEE NOTE 2 (3)											
47151-1121		SEE NOTE 2 (1)											
47151-1131	SEE NOTE 2 (1)												
47151-7102	1.45	1.45	3.0x0.5	16.08	13.38	WITH	WITH	W/O	W/O	BLACK	SEE NOTE 2 (a)	SEE NOTE 2 (a)	SEE NOTE 2 (1)
47151-7142													SEE NOTE 2 (2)
47151-7162													SEE NOTE 2 (3)
47151-1401	1.80	2.20	/	/	/	W/O	WITH	WITH	W/O	BLACK	SEE NOTE 2 (5)	SEE NOTE 2 (a)	FOR SHEET 3
47151-1461									WITH				
47151-1501	1.45	1.45	/	/	/	W/O	WITH	WITH	W/O				

SEE SHEET 1 EC NO: S2016-0465 DRW:HTGU002 CHKD:ZENG APPR:KHLIM	QUALITY SYMBOLS $F_A=0$ $F_C=0$ $F_P=0$	GENERAL TOLERANCES (UNLESS SPECIFIED) mm INCH 4 PLACES ± --- ± --- 3 PLACES ± --- ± --- 2 PLACES ± 0.25 ± --- 1 PLACE ± 0.25 ± --- 0 PLACE ± --- ± ---	DIMENSION STYLE IN/MM DRAWN BY: RZHANG DATE: 2004/07/20 CHECKED BY: GRMA DATE: 2004/07/20 APPROVED BY: YTYAP DATE: 2004/07/20	SCALE: 1:1 DESIGN UNITS: METRIC THIRD ANGLE PROJECTION	TITLE: 1.0 HDMI RIGHT ANGLE HEADER ASSEMBLY (19 PIN) LEAD FREE molex MATERIAL NO. SEE TABLE DOCUMENT NO. SD-47151-001 SHEET NO. 8 OF 9
	DRAFT WHERE APPLICABLE MUST REMAIN WITHIN DIMENSIONS	ANGULAR ± 3 °	THIS DRAWING CONTAINS INFORMATION THAT IS PROPRIETARY TO MOLEX INCORPORATED AND SHOULD NOT BE USED WITHOUT WRITTEN PERMISSION		
	REV: L5	DESCRIPTION:	SIZE: A3		
	EC NO: S2016-0465 DRW:HTGU002 CHKD:ZENG APPR:KHLIM	QUALITY SYMBOLS $F_A=0$ $F_C=0$ $F_P=0$	GENERAL TOLERANCES (UNLESS SPECIFIED) mm INCH 4 PLACES ± --- ± --- 3 PLACES ± --- ± --- 2 PLACES ± 0.25 ± --- 1 PLACE ± 0.25 ± --- 0 PLACE ± --- ± ---	DIMENSION STYLE IN/MM DRAWN BY: RZHANG DATE: 2004/07/20 CHECKED BY: GRMA DATE: 2004/07/20 APPROVED BY: YTYAP DATE: 2004/07/20	

ASSEMBLY P/N	DIMENSION					FEATURE				HOUSING COLOUR	GOLD PLATING IN CONTACT AREA	SHELL PLATING	REMARK
	DIM A	DIM B	DIM C	DIM D	DIM E	FLANGE	BACK COVER	TOP HOLES	MYLAR				
47151-1002	1.80	2.20	M3.0x0.5	16.08	13.38	WITH	WITH	WITH	W/O	BLACK	SEE NOTE 2 (1)	SEE NOTE 2 (a)	FOR SHEET 4
47151-1042											SEE NOTE 2 (2)		
47151-1052											SEE NOTE 2 (3)		
47151-1062									SEE NOTE 2 (4)				
47151-2062									WITH	BLACK	SEE NOTE 2 (4)		
47151-1012									SEE NOTE 2 (1)				
47151-1072									W/O	NATURE	SEE NOTE 2 (2)		
47151-1082									SEE NOTE 2 (3)				
47151-1022									BLACK	SEE NOTE 2 (1)	SEE NOTE 2 (b)		
47151-1032	NATURE	SEE NOTE 2 (1)											
47151-1102	1.45	1.45	M3.0x0.5	16.08	13.38	WITH	WITH	WITH	W/O	BLACK	SEE NOTE 2 (1)	SEE NOTE 2 (a)	FOR SHEET 4
47151-1142											SEE NOTE 2 (2)		
47151-1152											SEE NOTE 2 (3)		
47151-1112									SEE NOTE 2 (1)				
47151-1162									NATURE	SEE NOTE 2 (2)			
47151-1172									SEE NOTE 2 (3)				
47151-1122									BLACK	SEE NOTE 2 (1)	SEE NOTE 2 (b)		
47151-1132									NATURE	SEE NOTE 2 (1)			
47151-1005									1.80	2.20	4-40		
47151-1045	SEE NOTE 2 (2)												
47151-1065	SEE NOTE 2 (3)												
47151-1015	SEE NOTE 2 (1)												
47151-1035	NATURE	SEE NOTE 2 (2)											
47151-1055	SEE NOTE 2 (3)												
47151-1025	SEE NOTE 2 (1)												
47151-1075	WITH	BLACK	SEE NOTE 2 (2)										
47151-1085	SEE NOTE 2 (3)												
47151-1026	SEE NOTE 2 (1)												
47151-6012	1.80	2.20	M3.0x0.5	14.25	11.28	WITH	WITH	WITH	W/O	BLACK	SEE NOTE 2 (1)	SEE NOTE 2 (a)	FOR SHEET 4
47151-6042											SEE NOTE 2 (2)		
47151-6052											SEE NOTE 2 (3)		
47151-6022									WITH	BLACK	SEE NOTE 2 (1)		
47151-6032									SEE NOTE 2 (3)				
47151-6112	1.45	1.45	M3.0x0.5	14.25	11.28	WITH	WITH	WITH	W/O	BLACK	SEE NOTE 2 (1)	SEE NOTE 2 (a)	FOR SHEET 4
47151-6142											SEE NOTE 2 (2)		
47151-6152											SEE NOTE 2 (3)		
47151-1402	1.80	2.20	M3.0x0.5	16.08	13.38	WITH	WITH	WITH	W/O	BLACK	SEE NOTE 2 (5)	SEE NOTE 2 (a)	
47151-1502	1.45	1.45	M3.0x0.5	16.08	13.38	WITH	WITH	WITH	W/O	BLACK	SEE NOTE 2 (5)	SEE NOTE 2 (a)	

SEE SHEET 1 EC NO: S2016-0465 DRWN:HTGU002 2015/11/10 CHKD:JZENG 2015/12/09 APPR:KHL JM 2015/12/15	QUALITY SYMBOLS $\nabla = 0$ $\nabla = 0$ $\nabla = 0$	GENERAL TOLERANCES (UNLESS SPECIFIED)		DIMENSION STYLE IN/MM		SCALE 1:1	DESIGN UNITS METRIC	THIRD ANGLE PROJECTION		
				mm	INCH	DRAWN BY RZHANG	DATE 2004/07/20	TITLE 1.0 HDMI RIGHT ANGLE HEADER ASSEMBLY (19 PIN) LEAD FREE  MATERIAL NO. SD-47151-001 DOCUMENT NO. 9 OF 9		
		4 PLACES	\pm ---	\pm ---	CHECKED BY GRMA	DATE 2004/07/20				
		3 PLACES	\pm ---	\pm ---	APPROVED BY YTYAP	DATE 2004/07/20				
		2 PLACES	\pm 0.25	\pm ---						
1 PLACE	\pm 0.25	\pm ---								
		0 PLACE	\pm ---	\pm ---						
		ANGULAR \pm 3°		SEE TABLE						
		DRAFT WHERE APPLICABLE MUST REMAIN WITHIN DIMENSIONS		THIS DRAWING CONTAINS INFORMATION THAT IS PROPRIETARY TO MOLEX INCORPORATED AND SHOULD NOT BE USED WITHOUT WRITTEN PERMISSION						