



Chipsmall Limited consists of a professional team with an average of over 10 year of expertise in the distribution of electronic components. Based in Hongkong, we have already established firm and mutual-benefit business relationships with customers from,Europe,America and south Asia,supplying obsolete and hard-to-find components to meet their specific needs.

With the principle of “Quality Parts,Customers Priority,Honest Operation,and Considerate Service”,our business mainly focus on the distribution of electronic components. Line cards we deal with include Microchip,ALPS,ROHM,Xilinx,Pulse,ON,Everlight and Freescale. Main products comprise IC,Modules,Potentiometer,IC Socket,Relay,Connector.Our parts cover such applications as commercial,industrial, and automotives areas.

We are looking forward to setting up business relationship with you and hope to provide you with the best service and solution. Let us make a better world for our industry!



Contact us

Tel: +86-755-8981 8866 Fax: +86-755-8427 6832

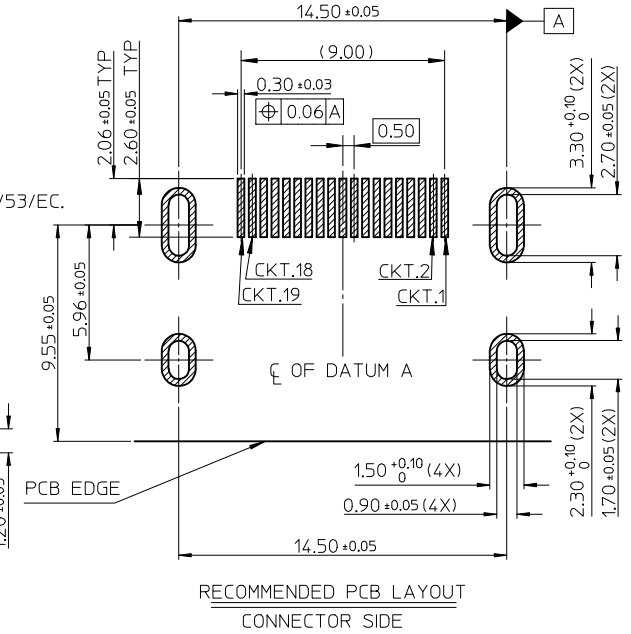
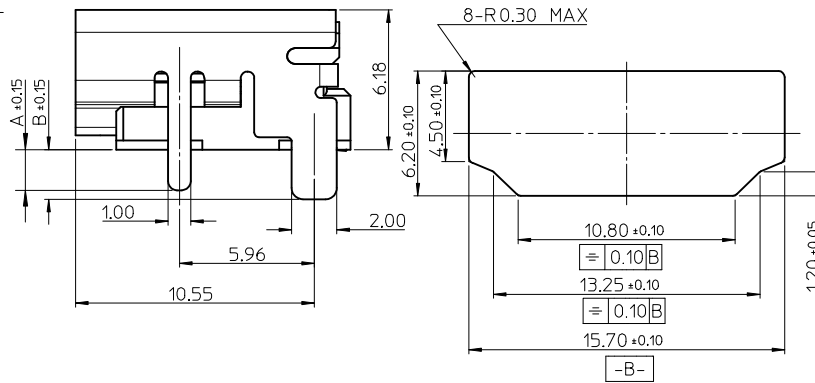
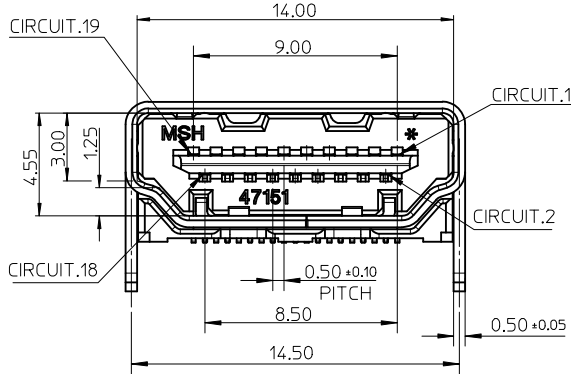
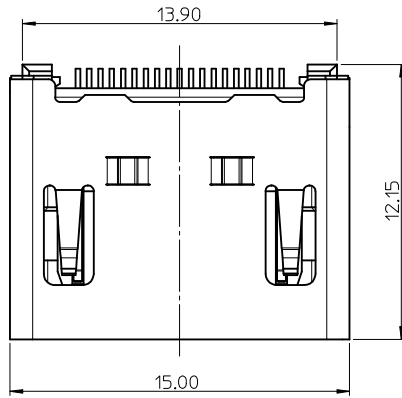
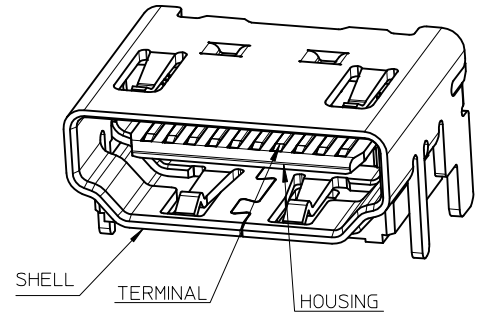
Email & Skype: info@chipsmall.com Web: www.chipsmall.com

Address: A1208, Overseas Decoration Building, #122 Zhenhua RD., Futian, Shenzhen, China

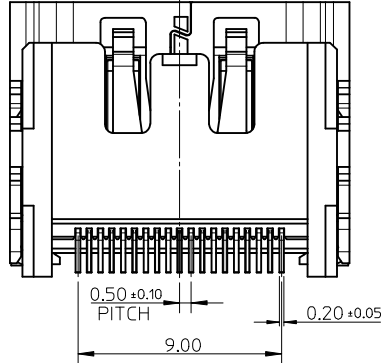


NOTES:

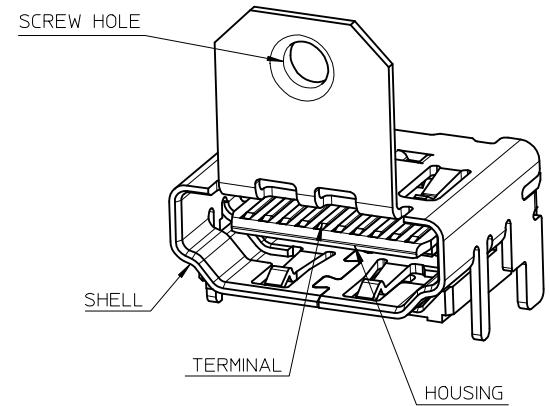
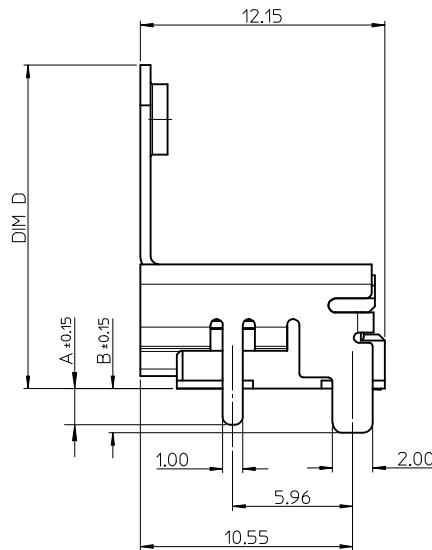
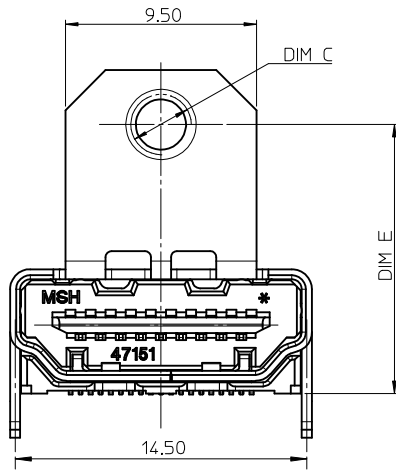
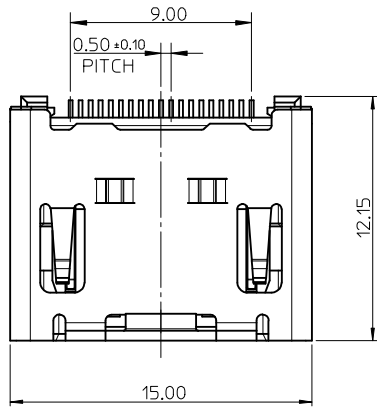
1. MATERIAL:
 HOUSING: THERMOPLASTIC, GLASS-FILLED, UL 94V-0, COLOR: SEE TABLE.
 SHELL: COPPER ALLOY.
 TERMINAL: COPPER ALLOY.
2. PLATING:
 TERMINAL:
 CONTACT AREA: (1) 0.76 MICROMETER MIN. GOLD PLATING.
 (2) 0.25 MICROMETER MIN. GOLD PLATING.
 (3) GOLD FLASH.
 (4) 0.375 MICROMETER MIN. GOLD PLATING.
 SOLDER AREA: 1 MICROMETER MIN. TIN-BISMUTH ALLOY PLATED.
 UNDER PLATE: 1.27 MICROMETER MIN. NICKEL.
 SHELL: (a) 1.27 MICROMETER MIN. SOLDERABLE NICKEL PLATE OVERALL.
 (b) GOLD FLASH PLATING OVER 1.27 MICROMETER MIN. NICKEL PLATING OVERALL.
3. COPLANARITY IS 0.1MM MAX.
4. PRODUCT SPECIFICATION REFER TO PS-47152-001.
5. PACKAGE SPECIFICATION FOR WITHOUT FLANGE REFER TO PK-47151-001.
6. PRODUCT COMPLIANT TO RoHS DIRECTIVE 2011/65/EU AND ELV DIRECTIVE 2000/53/EC.



RECOMMENDED PANEL CUT OUT DIMENSION



REVISE NOTE EC NO: S2014-0536 DRW: FCS00 CHKD: JTAN02 APPR: KHL IM 2013/12/05 2013/12/17 2013/12/20	QUALITY SYMBOLS F/0 F/0 F/0	GENERAL TOLERANCES (UNLESS SPECIFIED)		DIMENSION STYLE MM ONLY		SCALE NTS	DESIGN UNITS METRIC	THIRD ANGLE PROJECTION			
		4 PLACES ± --- ± ---	3 PLACES ± --- ± ---	2 PLACES ± 0.25 ± ---	1 PLACE ± 0.25 ± ---	0 PLACE ± ±	DRAWN BY RZHANG	DATE 2004/07/20	TITLE 1.0 HDMI RIGHT ANGLE HEADER ASSEMBLY(19 PIN) LEAD FREE		
		ANGULAR ± 3 °		DRAFT WHERE APPLICABLE MUST REMAIN WITHIN DIMENSIONS		MATERIAL NO. SEE SHEET 6	DOCUMENT NO. SD-47151-001	SHEET NO. 1 OF 8			
		THIS DRAWING CONTAINS INFORMATION THAT IS PROPRIETARY TO MOLEX INCORPORATED AND SHOULD NOT BE USED WITHOUT WRITTEN PERMISSION		MOLEX							

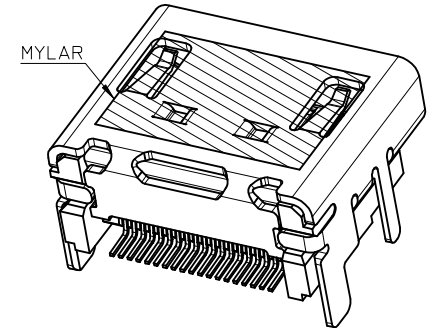
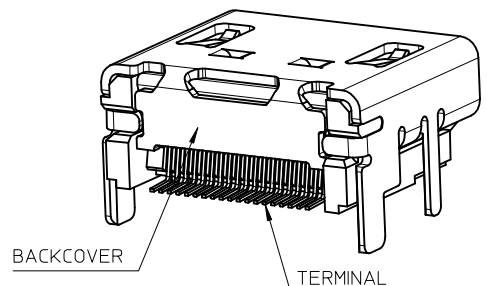
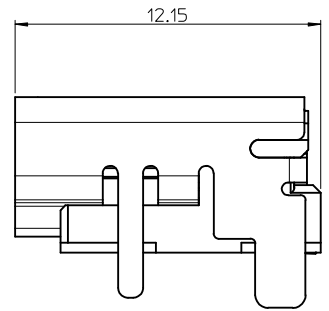
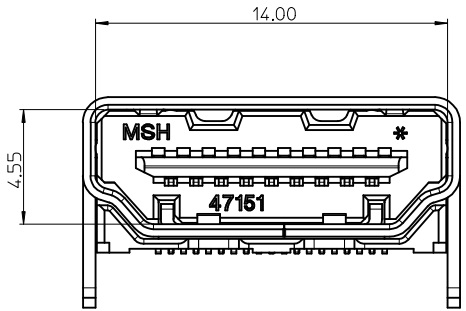
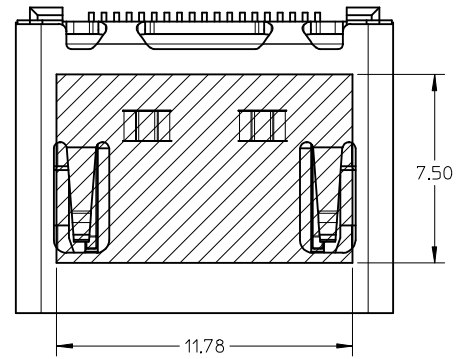
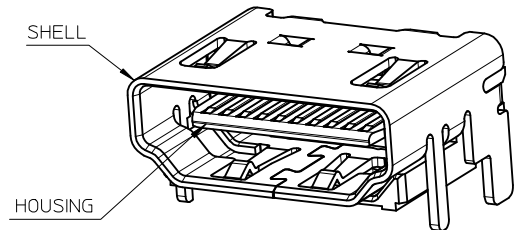
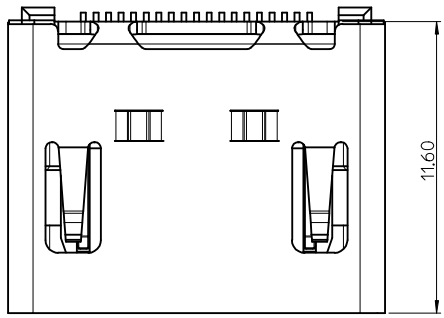


NOTES:

1. THE UNSPECIFIED DIMENSIONS REFER TO SHEET 1.
2. PACKAGE SPECIFICATION FOR WITH FLANGE REFER TO PK-47151-002.

REVISE NOTE EC NO: S2014-0536 DRW:NFC000 2013/12/05 CHKD:JTAN02 2013/12/17 APPR:KHLIM 2013/12/20	QUALITY SYMBOLS $F_A=0$ $F_C=0$ $F_B=0$	GENERAL TOLERANCES (UNLESS SPECIFIED)		DIMENSION STYLE MM ONLY	SCALE NTS	DESIGN UNITS METRIC	THIRD ANGLE PROJECTION	
		mm INCH	DRAWN BY RZHANG	DATE 2004/07/20	TITLE 1.0 HDMI RIGHT ANGLE HEADER ASSEMBLY(19 PIN) LEAD FREE			
		4 PLACES ± --- ± --- 3 PLACES ± --- ± --- 2 PLACES ± 0.25 ± --- 1 PLACE ± 0.25 ± --- 0 PLACE ± ±	CHECKED BY GRMA	DATE 2004/07/20	DOCUMENT NO. SD-47151-001			
		ANGULAR ± 3 ° DRAFT WHERE APPLICABLE MUST REMAIN WITHIN DIMENSIONS	APPROVED BY YTYAP	DATE 2004/07/20	SHEET NO. 2 OF 8			
L1	REV	SEE SHEET 6		MATERIAL NO. SIZE A3	THIS DRAWING CONTAINS INFORMATION THAT IS PROPRIETARY TO MOLEX INCORPORATED AND SHOULD NOT BE USED WITHOUT WRITTEN PERMISSION			

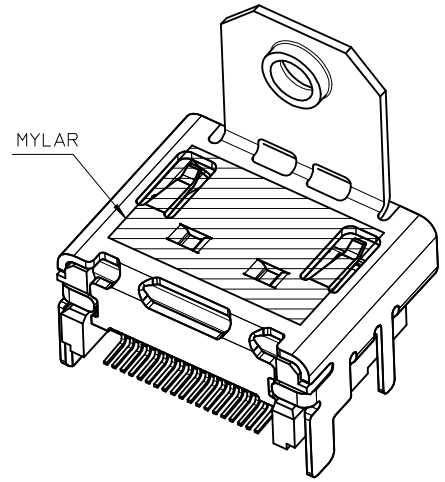
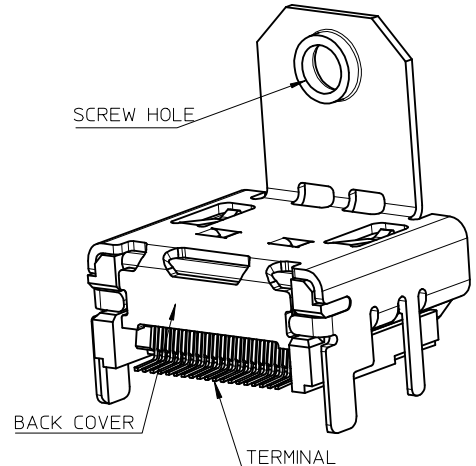
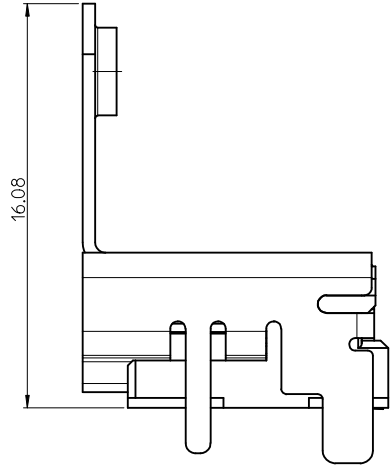
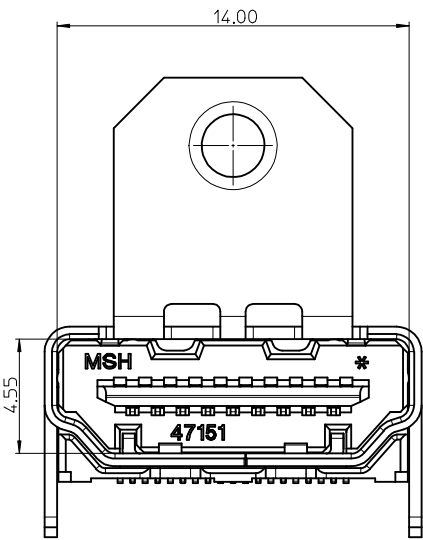
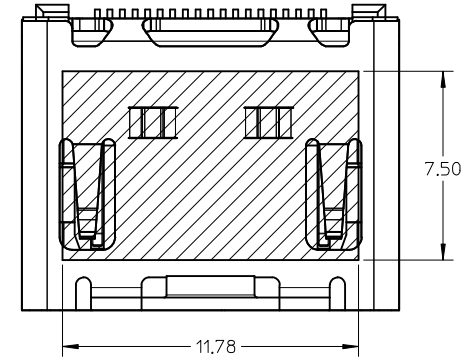
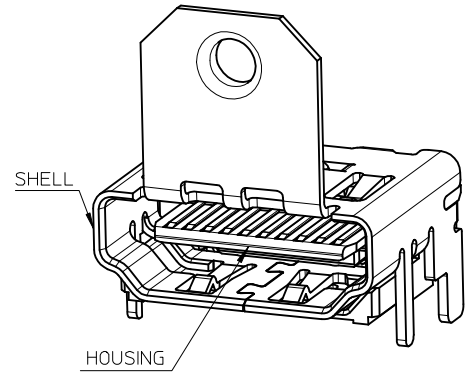
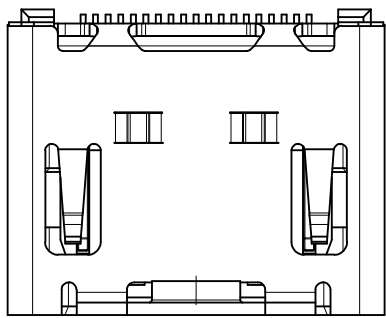
WITH BACK COVER



- NOTES:
1. THE UNSPECIFIED DIMENSIONS REFER TO 47151-0001.
 2. PACKAGE SPECIFICATION FOR WITHOUT FLANGE REFER TO PK-47151-001.

REVISE NOTE EC NO: S2014-0536 DRWN:FC500 CHKD:JTAN02 APPR:KHLJM 2013/12/05 2013/12/17 2013/12/20	QUALITY SYMBOLS $\nabla_A=0$ $\nabla_B=0$ $\nabla_C=0$	GENERAL TOLERANCES (UNLESS SPECIFIED) <table border="1"> <thead> <tr> <th></th> <th>mm</th> <th>INCH</th> </tr> </thead> <tbody> <tr> <td>4 PLACES</td> <td>± ---</td> <td>± ---</td> </tr> <tr> <td>3 PLACES</td> <td>± ---</td> <td>± ---</td> </tr> <tr> <td>2 PLACES</td> <td>± 0.25</td> <td>± ---</td> </tr> <tr> <td>1 PLACE</td> <td>± 0.25</td> <td>± ---</td> </tr> <tr> <td>0 PLACE</td> <td>±</td> <td>±</td> </tr> </tbody> </table>		mm	INCH	4 PLACES	± ---	± ---	3 PLACES	± ---	± ---	2 PLACES	± 0.25	± ---	1 PLACE	± 0.25	± ---	0 PLACE	±	±	DIMENSION STYLE MM ONLY	SCALE NTS	DESIGN UNITS METRIC	THIRD ANGLE PROJECTION
		mm	INCH																					
	4 PLACES	± ---	± ---																					
	3 PLACES	± ---	± ---																					
2 PLACES	± 0.25	± ---																						
1 PLACE	± 0.25	± ---																						
0 PLACE	±	±																						
DRAWN BY RZHANG	DATE THIS SHEET ONLY FOR 47151-1067/1071/1081 2004/07/20	CHECKED BY GRMA	DATE 2004/07/20	1.0 HDMI RIGHT ANGLE HEADER ASSEMBLY(19 PIN) LEAD FREE molex																				
APPROVED BY YTYAP	DATE 2004/07/20	MATERIAL NO. SEE SHEET 6	DOCUMENT NO. SD-47151-001				SHEET NO. 3 OF 8																	
DRAFT WHERE APPLICABLE MUST REMAIN WITHIN DIMENSIONS	ANGULAR ± 3 °	THIS DRAWING CONTAINS INFORMATION THAT IS PROPRIETARY TO MOLEX INCORPORATED AND SHOULD NOT BE USED WITHOUT WRITTEN PERMISSION																						
L1	REV	SIZE A3																						

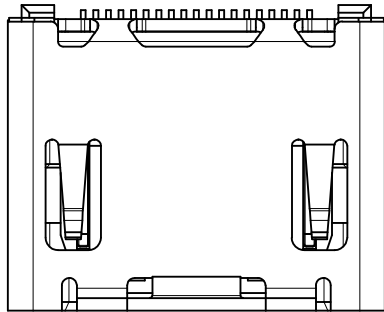
WITH BACK COVER



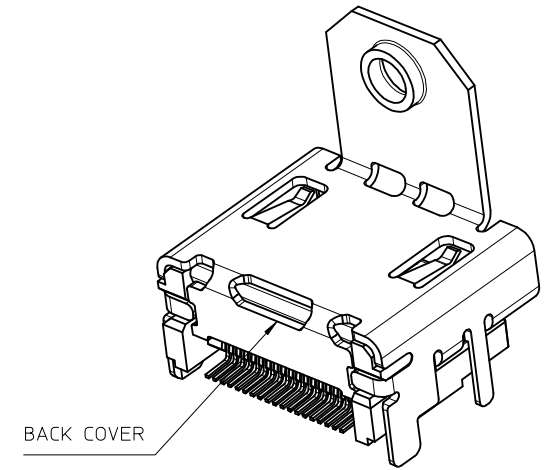
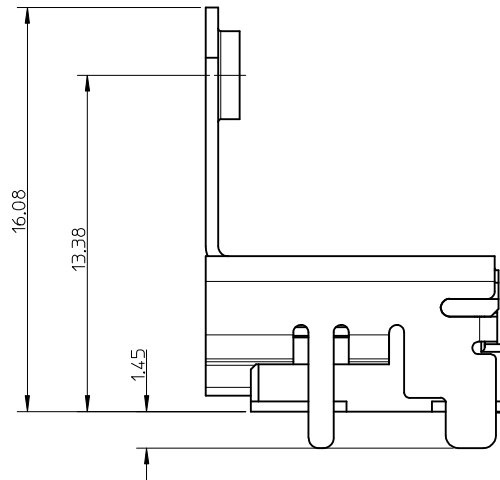
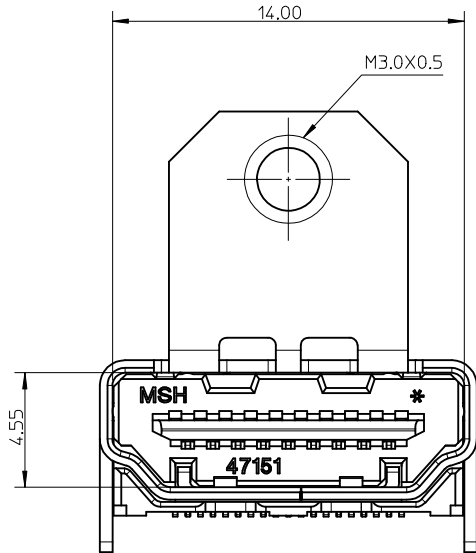
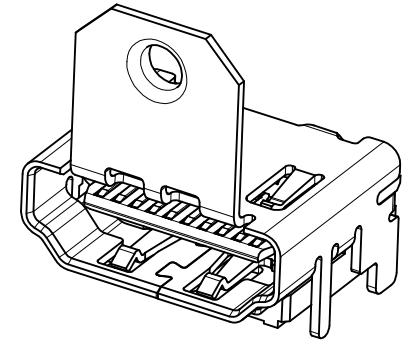
THIS IS ONLY FOR
47151-1025/1075/1085/6022/6032/1026/2062

- NOTES:
1. THE UNSPECIFIED DIMENSIONS REFER TO 47151-0002.
 2. PACKAGE SPECIFICATION FOR WITH FLANGE:
 OPTION 1: 47151-1026/2062/6032 REFER TO PK-47151-005,
 OPTION 2: 47151-1102 REFER TO PK-47151-003,
 OPTION 3: OTHER PART NUMBER REFER TO PK-47151-002.

REVISE NOTE EC NO: S2014-0536 DRW:NFC500 CHKD:JTAN02 APPR:KHLIM	2013/12/05 2013/12/17 2013/12/20	DESCRIPTION REV	QUALITY SYMBOLS	GENERAL TOLERANCES (UNLESS SPECIFIED)	DIMENSION STYLE	SCALE	DESIGN UNITS	THIRD ANGLE PROJECTION
			$\nabla = 0$ $\nabla = 0$ $\nabla = 0$	mm INCH 4 PLACES ± --- ± --- 3 PLACES ± --- ± --- 2 PLACES ± 0.25 ± --- 1 PLACE ± 0.25 ± --- 0 PLACE ± ±	MM ONLY	NTS	METRIC	
				ANGULAR ± 3° DRAFT WHERE APPLICABLE MUST REMAIN WITHIN DIMENSIONS	DRAWN BY: RZHANG CHECKED BY: GRMA APPROVED BY: YTYAP	DATE: 2004/07/20 DATE: 2004/07/20 DATE: 2004/07/20	TITLE	1.0 HDMI RIGHT ANGLE HEADER ASSEMBLY(19 PIN) LEAD FREE
				SEE SHEET 6	MATERIAL NO. DOCUMENT NO.	SD-47151-001	SHEET NO. 4 OF 8	



WITHOUT TOP HOLE



NOTES:

1. THE UNSPECIFIED DIMENSIONS REFER TO 47151-1102.
2. PACKAGE SPECIFICATION FOR WITH FLANGE REFER TO PK-47151-002.

REVISE NOTE EC NO: S2014-0536 DRW/NF:CS00 CHKD:JTAN02 APPR:KHLIM	2013/12/05 2013/12/17 2013/12/20	DESCRIPTION REV	QUALITY SYMBOLS	GENERAL TOLERANCES (UNLESS SPECIFIED)		DIMENSION STYLE MM ONLY		SCALE NTS	DESIGN UNITS METRIC	THIRD ANGLE PROJECTION
			$F_{\Delta} = 0$ $F_{\sigma} = 0$ $F_{\phi} = 0$	mm INCH	DRAWN BY RZHANG	DATE 2004/07/20	TITLE			
			4 PLACES ± --- ± --- 3 PLACES ± --- ± --- 2 PLACES ± 0.25 ± --- 1 PLACE ± 0.25 ± --- 0 PLACE ± ±	ANGULAR ± 3 ° DRAFT WHERE APPLICABLE MUST REMAIN WITHIN DIMENSIONS	CHECKED BY GRMA	DATE 2004/07/20	1.0 HDMI RIGHT ANGLE HEADER ASSEMBLY(19 PIN) LEAD FREE			
			SEE SHEET 6	MATERIAL NO. DOCUMENT NO.	APPROVED BY YTYAP	DATE 2004/07/20	molex SD-47151-001			
L1				SIZE A3	THIS DRAWING CONTAINS INFORMATION THAT IS PROPRIETARY TO MOLEX INCORPORATED AND SHOULD NOT BE USED WITHOUT WRITTEN PERMISSION					

ASSEMBLY P/N	DIMENSION					FEATURE				HOUSING COLOUR	GOLD PLATING IN CONTACT AREA	SHELL PLATING	REMARK
	DIM A	DIM B	DIM C	DIM D	DIM E	FLANGE	BACK COVER	TOP HOLES	MYLAR				
47151-0001	1.80	2.20	/	/	/	W/O	W/O	WITH	W/O	BLACK	SEE NOTE 2 (1)	SEE NOTE 2 (a)	FOR SHEET 1
47151-0041										SEE NOTE 2 (2)			
47151-0051										SEE NOTE 2 (3)			
47151-0011										SEE NOTE 2 (1)			
47151-0071										SEE NOTE 2 (2)			
47151-0061										SEE NOTE 2 (3)			
47151-0021										BLACK	SEE NOTE 2 (1)		
47151-0031	NATURE	SEE NOTE 2 (1)											
47151-0101	1.45	1.45	/	/	/	W/O	W/O	WITH	W/O	BLACK	SEE NOTE 2 (1)	SEE NOTE 2 (a)	
47151-0141										SEE NOTE 2 (2)			
47151-0151										SEE NOTE 2 (3)			
47151-0111										SEE NOTE 2 (1)			
47151-0181										NATURE	SEE NOTE 2 (2)		
47151-0161										SEE NOTE 2 (3)			
47151-0121										BLACK	SEE NOTE 2 (1)		
47151-0131	NATURE	SEE NOTE 2 (1)											
47151-0002	1.80	2.20	M3.0x0.5	16.08	13.38	WITH	W/O	WITH	W/O	BLACK	SEE NOTE 2 (1)	SEE NOTE 2 (a)	FOR SHEET 2
47151-0042										SEE NOTE 2 (2)			
47151-0062										SEE NOTE 2 (3)			
47151-0012										SEE NOTE 2 (1)			
47151-0052										NATURE	SEE NOTE 2 (2)		
47151-0072										SEE NOTE 2 (3)			
47151-0022										BLACK	SEE NOTE 2 (1)		
47151-0032	NATURE	SEE NOTE 2 (1)											
47151-0102	1.45	1.45	M3.0x0.5	16.08	13.38	WITH	W/O	WITH	W/O	BLACK	SEE NOTE 2 (1)	SEE NOTE 2 (a)	
47151-0142										SEE NOTE 2 (2)			
47151-0162										SEE NOTE 2 (3)			
47151-0112										SEE NOTE 2 (1)			
47151-0152										NATURE	SEE NOTE 2 (2)		
47151-0172										SEE NOTE 2 (3)			
47151-0122										BLACK	SEE NOTE 2 (1)		
47151-0132	NATURE	SEE NOTE 2 (1)											
47151-6002	1.80	2.20	M3.0x0.5	14.25	11.28	WITH	W/O	WITH	W/O	BLACK	SEE NOTE 2 (1)	SEE NOTE 2 (a)	
47151-6062										SEE NOTE 2 (2)			
47151-6082										SEE NOTE 2 (3)			
47151-6102										SEE NOTE 2 (1)			
47151-6172	1.45	1.45	M3.0x0.5	14.25	11.28	WITH	W/O	WITH	W/O	BLACK	SEE NOTE 2 (2)		
47151-6162										SEE NOTE 2 (3)			

REVISE NOTE EC NO: S2014-0536 DRWN:FC500 CHKD:JTAN02 APPR:KHLIM 2013/12/05 2013/12/17 2013/12/20	QUALITY SYMBOLS	GENERAL TOLERANCES (UNLESS SPECIFIED)	DIMENSION STYLE	SCALE	DESIGN UNITS	THIRD ANGLE PROJECTION	
	$F_A = 0$ $F_G = 0$ $F_P = 0$	mm INCH 4 PLACES ± --- ± --- 3 PLACES ± --- ± --- 2 PLACES ± 0.25 ± --- 1 PLACE ± 0.25 ± --- 0 PLACE ± ±	MM ONLY	NTS	METRIC	DRAWN BY: RZHANG DATE: 2004/07/20 CHECKED BY: GRMA DATE: 2004/07/20 APPROVED BY: YTYAP DATE: 2004/07/20	TITLE
		ANGULAR ± 3 °				1.0 HDMI RIGHT ANGLE HEADER ASSEMBLY(19 PIN) LEAD FREE	
		DRAFT WHERE APPLICABLE MUST REMAIN WITHIN DIMENSIONS				molex SEE SHEET 6 SD-47151-001 SHEET NO. 6 OF 8	

ASSEMBLY P/N	DIMENSION					FEATURE				HOUSING COLOUR	GOLD PLATING IN CONACT AREA	SHELL PLATING	REMARK
	DIM A	DIM B	DIM C	DIM D	DIM E	FLANGE	BACK COVER	TOP HOLES	MYLAR				
47151-1001	1.80	2.20	/	/	/	W/O	WITH	WITH	W/O	BLACK	SEE NOTE 2 (a)	FOR SHEET 3	
47151-1041													
47151-1051													
47151-1003													
47151-1061													
47151-1071													
47151-1081													
47151-1011													
47151-1211													
47151-1311													
47151-1021													
47151-1091													
47151-1031													
47151-1101													
47151-1141	1.45	1.45	/	/	/	W/O	WITH	WITH	W/O	BLACK	SEE NOTE 2 (a)		
47151-1151													
47151-1111													
47151-1161													
47151-1171													
47151-1121													
47151-1131													
47151-1102													
47151-7142	1.45	1.45	M3.0x0.5	16.08	13.38	WITH	WITH	W/O	W/O	BLACK	SEE NOTE 2 (a)	FOR SHEET 5	
47151-7162													

REVISE NOTE EC NO: S2014-0536 DRWN:FC500 CHKD:JTAN02 APPR:KHLIM 2013/12/05 2013/12/17 2013/12/20	QUALITY SYMBOLS	GENERAL TOLERANCES (UNLESS SPECIFIED)	DIMENSION STYLE	SCALE	DESIGN UNITS	THIRD ANGLE PROJECTION	
	$F_A=0$ $F_G=0$ $F_P=0$	mm INCH 4 PLACES ± --- ± --- 3 PLACES ± --- ± --- 2 PLACES ± 0.25 ± --- 1 PLACE ± 0.25 ± --- 0 PLACE ± ±	MM ONLY	NTS	METRIC	DRAWN BY: RZHANG DATE: 2004/07/20 CHECKED BY: GRMA DATE: 2004/07/20 APPROVED BY: YTYAP DATE: 2004/07/20	TITLE
		ANGULAR ± 3 °					1.0 HDMI RIGHT ANGLE HEADER ASSEMBLY(19 PIN) LEAD FREE
		DRAFT WHERE APPLICABLE MUST REMAIN WITHIN DIMENSIONS					molex
	L1			SEE SHEET 6			SD-47151-001

ASSEMBLY P/N	DIMENSION					FEATURE				HOUSING COLOUR	GOLD PLATING IN CONTACT AREA	SHELL PLATING	REMARK	
	DIM A	DIM B	DIM C	DIM D	DIM E	FLANGE	BACK COVER	TOP HOLES	MYLAR					
47151-1002	1.80	2.20	M3.0x0.5	16.08	13.38	WITH	WITH	WITH	W/O	BLACK	SEE NOTE 2 (1)	SEE NOTE 2 (a)		
47151-1042											SEE NOTE 2 (2)			
47151-1052											SEE NOTE 2 (3)			
47151-1062											SEE NOTE 2 (4)			
47151-2062										BLACK	SEE NOTE 2 (4)			
47151-1012											SEE NOTE 2 (1)			
47151-1072										W/O	NATURE			SEE NOTE 2 (2)
47151-1082											SEE NOTE 2 (3)			
47151-1022											BLACK			SEE NOTE 2 (1)
47151-1032										NATURE	SEE NOTE 2 (1)			SEE NOTE 2 (b)
47151-1102	1.45	1.45	M3.0x0.5	16.08	13.38	WITH	WITH	WITH	W/O	BLACK	SEE NOTE 2 (1)	SEE NOTE 2 (a)	FOR SHEET 4	
47151-1142										SEE NOTE 2 (2)				
47151-1152										SEE NOTE 2 (3)				
47151-1112										SEE NOTE 2 (1)				
47151-1162									NATURE	SEE NOTE 2 (2)				
47151-1172										SEE NOTE 2 (3)				
47151-1122									BLACK	SEE NOTE 2 (1)	SEE NOTE 2 (b)			
47151-1132									NATURE	SEE NOTE 2 (1)				
47151-1005	1.80	2.20	4-40	16.08	13.38	WITH	WITH	WITH	W/O	BLACK	SEE NOTE 2 (1)	SEE NOTE 2 (a)		
47151-1045										SEE NOTE 2 (2)				
47151-1065										SEE NOTE 2 (3)				
47151-1015										SEE NOTE 2 (1)				
47151-1035									NATURE	SEE NOTE 2 (2)				
47151-1055										SEE NOTE 2 (3)				
47151-1025									WITH	BLACK	SEE NOTE 2 (1)			
47151-1075											SEE NOTE 2 (2)			
47151-1085											SEE NOTE 2 (3)			
47151-1026											SEE NOTE 2 (1)			
47151-6012	1.80	2.20	M3.0x0.5	14.25	11.28	WITH	WITH	WITH	W/O	BLACK	SEE NOTE 2 (1)	SEE NOTE 2 (a)		
47151-6042										SEE NOTE 2 (2)				
47151-6052									SEE NOTE 2 (3)					
47151-6022									WITH	BLACK	SEE NOTE 2 (1)			
47151-6032	SEE NOTE 2 (3)													
47151-6112	1.45	1.45							W/O	BLACK	SEE NOTE 2 (1)			
47151-6142										SEE NOTE 2 (2)				
47151-6152										SEE NOTE 2 (3)				

REVISE NOTE EC NO: S2014-0536 DRWN:FC500 CHKD:JTAN02 APPR:KHLIM 2013/12/05 2013/12/17 2013/12/20	QUALITY SYMBOLS	GENERAL TOLERANCES (UNLESS SPECIFIED)	DIMENSION STYLE	SCALE	DESIGN UNITS	THIRD ANGLE PROJECTION	
	$F_A=0$ $F_G=0$ $F_P=0$	mm INCH 4 PLACES ± --- ± --- 3 PLACES ± --- ± --- 2 PLACES ± 0.25 ± --- 1 PLACE ± 0.25 ± --- 0 PLACE ± ±	MM ONLY	NTS	METRIC	DRAWN BY: RZHANG DATE: 2004/07/20 CHECKED BY: GRMA DATE: 2004/07/20 APPROVED BY: YTYAP DATE: 2004/07/20	TITLE
	DESCRIPTION	ANGULAR ± 3 °	DRAFT WHERE APPLICABLE	MATERIAL NO.	1.0 HDMI RIGHT ANGLE HEADER ASSEMBLY(19 PIN) LEAD FREE		molex SD-47151-001
	L1	MUST REMAIN WITHIN DIMENSIONS	SEE SHEET 6	DOCUMENT NO.	8 OF 8		