



Chipsmall Limited consists of a professional team with an average of over 10 year of expertise in the distribution of electronic components. Based in Hongkong, we have already established firm and mutual-benefit business relationships with customers from,Europe,America and south Asia,supplying obsolete and hard-to-find components to meet their specific needs.

With the principle of “Quality Parts,Customers Priority,Honest Operation,and Considerate Service”,our business mainly focus on the distribution of electronic components. Line cards we deal with include Microchip,ALPS,ROHM,Xilinx,Pulse,ON,Everlight and Freescale. Main products comprise IC,Modules,Potentiometer,IC Socket,Relay,Connector.Our parts cover such applications as commercial,industrial, and automotives areas.

We are looking forward to setting up business relationship with you and hope to provide you with the best service and solution. Let us make a better world for our industry!



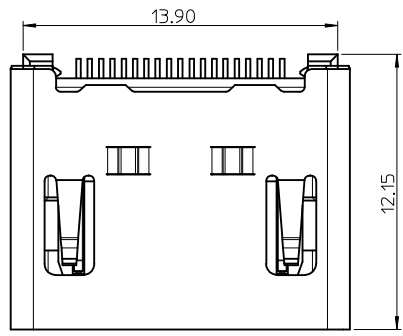
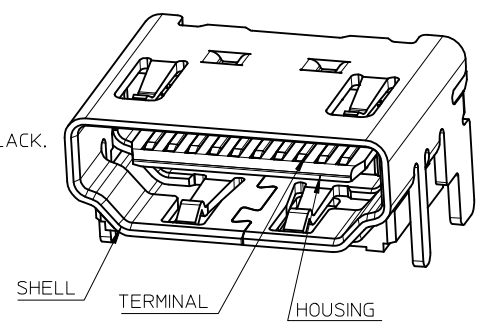
Contact us

Tel: +86-755-8981 8866 Fax: +86-755-8427 6832

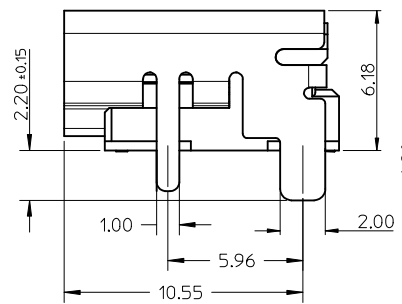
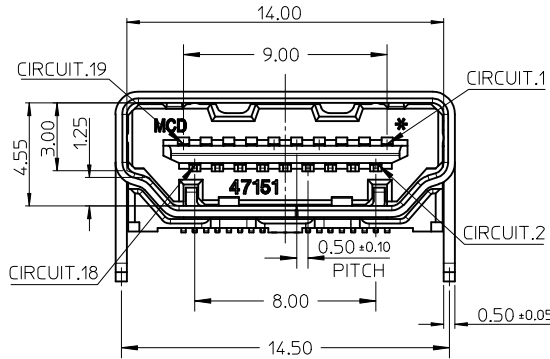
Email & Skype: info@chipsmall.com Web: www.chipsmall.com

Address: A1208, Overseas Decoration Building, #122 Zhenhua RD., Futian, Shenzhen, China

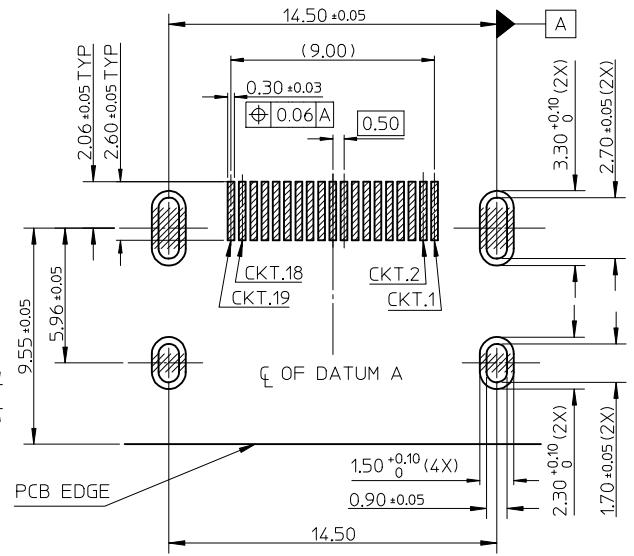




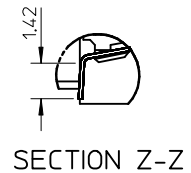
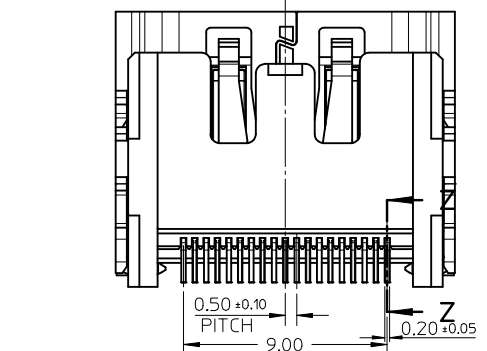
- NOTES:
1. MATERIAL:
HOUSING: HIGH TEMPERATURE THERMAL PLASTIC, GLASS-FILLED, UL 94V-0, COLOR: BLACK.
SHELL: COPPER ALLOY.
TERMINAL: COPPER ALLOY.
 2. PLATING:
TERMINAL: CONTACT AREA: GOLD PLATING, SEE TABLE.
SOLDER AREA: 1 MICROMETER MIN. TIN-BISMUTH ALLOY PLATED.
UNDER PLATE: 1.27 MICROMETER MIN. NICKEL.
SHELL: 1.27 MICROMETER MIN. SOLDERABLE NICKEL PLATE OVERALL.
 3. COPLANARITY IS 0.1MM MAX.
 4. PRODUCT SPECIFICATION REFER TO PS-47152-001.
 5. PACKAGE SPECIFICATION FOR WITHOUT FLANGE REFER TO PK-47151-001.
 6. PRODUCT COMPLIANT TO RoHS DIRECTIVE 2011/65/EU AND ELV 2000/53/EC.



RECOMMENDED PANEL CUT OUT DIMENSION



RECOMMENDED PCB LAYOUT CONNECTOR SIDE



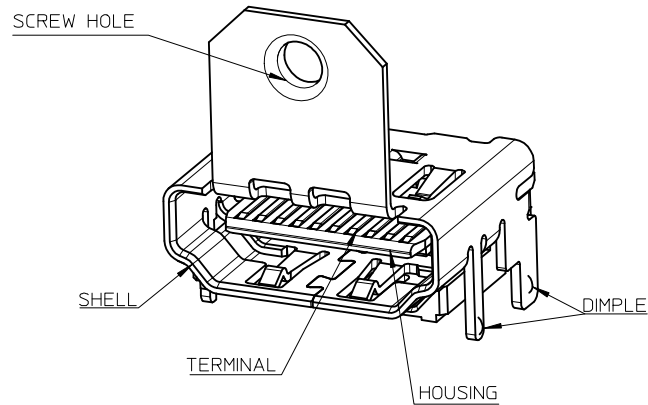
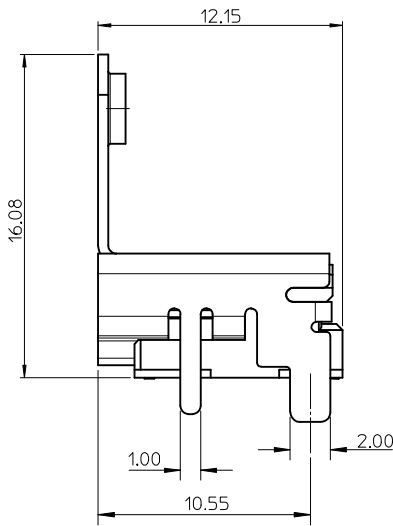
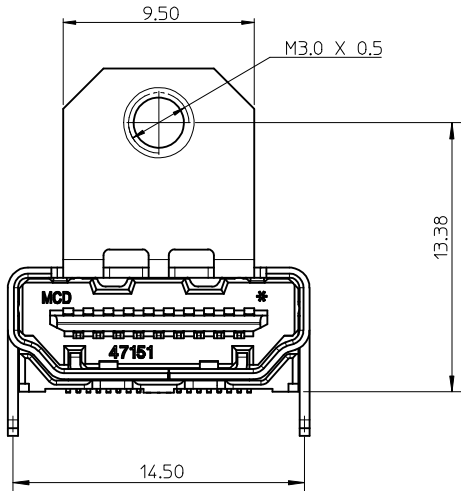
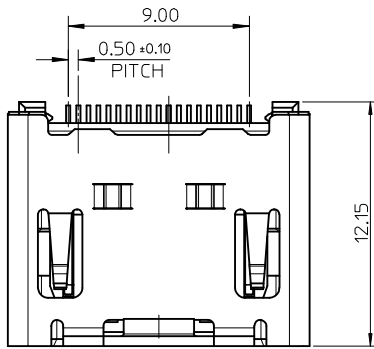
47151-8061	GOLD FLASH			
47151-8041	0.25 MICROMETER MIN.	WITHOUT	WITHOUT	WITH
47151-8001	0.76 MICROMETER MIN.			
PART NO.	CONTACT AREA PLATING	FLANGE	BACK COVER	DIMPLE

MARK UPDATED	2015/11/10	QUALITY SYMBOLS
EC NO: S2016-0465	2015/12/09	▽ F = 0
DRW:HTG0002	2015/12/09	▽ F = 0
CHKD:JZENG	2015/12/15	▽ F = 0
APPR:KHL JM		
REV	DESCRIPTION	
F2		

GENERAL TOLERANCES (UNLESS SPECIFIED)	DIMENSION STYLE
	MM ONLY
4 PLACES ± --- ± ---	DRAWN BY
3 PLACES ± --- ± ---	DATE
2 PLACES ± 0.25 ± ---	JZENG
1 PLACE ± --- ± ---	2006/02/21
0 PLACE ± ±	CHECKED BY
	DIXON
	2006/02/21
	APPROVED BY
	GRATE MA
	2006/02/21
	MATERIAL NO.
	SEE TABLE
	SIZE
	A3

SCALE	DESIGN UNITS	THIRD ANGLE PROJECTION
NTS	METRIC	
TITLE		
1.0 HDMI RIGHT ANGLE		
HEADER WITH DIMPLE TYPE		
LEAD FREE		
molex		
DOCUMENT NO.		
SD-47151-101		
SHEET NO.		
1 OF 4		

THIS DRAWING CONTAINS INFORMATION THAT IS PROPRIETARY TO MOLEX INCORPORATED AND SHOULD NOT BE USED WITHOUT WRITTEN PERMISSION



NOTES:

1. THE UNSPECIFIED DIMENSIONS REFER TO SHEET 1.
2. PACKAGE SPECIFICATION FOR WITH FLANGE REFER TO PK-47151-002.

47151-8071	GOLD FLASH			
47151-8051	0.25 MICROMETER MIN.	WITH	WITHOUT	WITH
47151-8011	0.76 MICROMETER MIN.			
PART NO.	CONTACT AREA PLATING	FLANGE	BACK COVER	DIMPLE

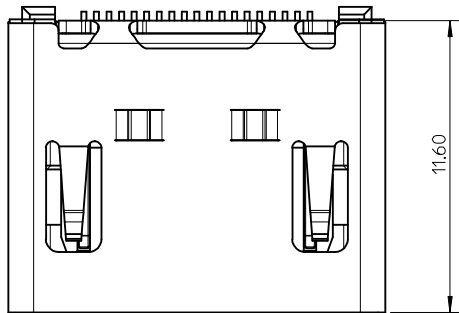
LOCATION UPDATED
 EC NO: S2016-0465
 DRW:HTG0002 2015/11/10
 CHKD:JZENG 2015/12/09
 APPR:KHL JM 2015/12/15

REV	DESCRIPTION
F2	

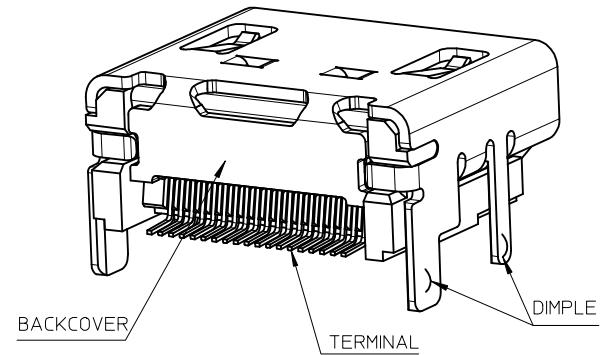
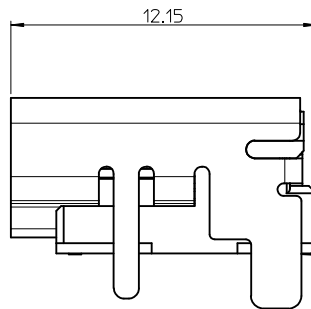
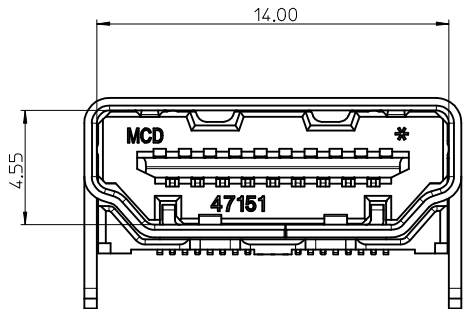
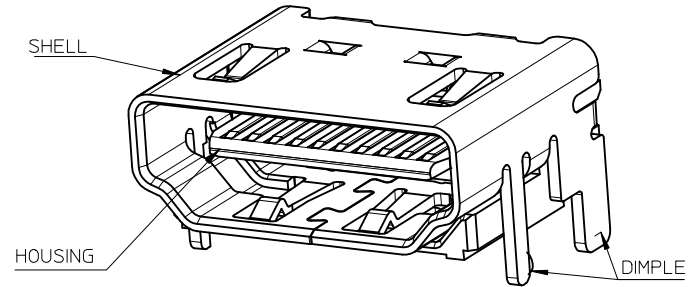
QUALITY SYMBOLS	GENERAL TOLERANCES (UNLESS SPECIFIED)	
	mm	INCH
$\nabla = 0$	4 PLACES ± ---	± ---
$\nabla = 0$	3 PLACES ± ---	± ---
$\nabla = 0$	2 PLACES ± 0.25	± ---
	1 PLACE ± ---	± ---
	0 PLACE ±	±
	ANGULAR ± 3°	
	DRAFT WHERE APPLICABLE MUST REMAIN WITHIN DIMENSIONS	

DIMENSION STYLE	
MM ONLY	
DRAWN BY	DATE
JZENG	2006/02/21
CHECKED BY	DATE
DIXON	2006/02/21
APPROVED BY	DATE
GRATE MA	2006/02/21
MATERIAL NO.	DOCUMENT NO.
SEE TABLE	SD-47151-101
SIZE A3	

SCALE NTS	DESIGN UNITS METRIC	THIRD ANGLE PROJECTION
TITLE		
1.0 HDMI RIGHT ANGLE HEADER WITH DIMPLE TYPE LEAD FREE		
molex		
DOCUMENT NO. SD-47151-101		SHEET NO. 2 OF 4
THIS DRAWING CONTAINS INFORMATION THAT IS PROPRIETARY TO MOLEX INCORPORATED AND SHOULD NOT BE USED WITHOUT WRITTEN PERMISSION		



WITH BACK COVER



NOTES:

1. THE UNSPECIFIED DIMENSIONS REFER TO 47151-8001.
2. PACKAGE SPECIFICATION FOR WITHOUT FLANGE:
 47151-8131/8141/8161 REFER TO PK-47151-004;
 47151-8031/8081/8091 REFER TO PK-47151-001.

47151-8131	0.76 MICROMETER MIN.	WITHOUT	WITH	WITHOUT
47151-8141	0.25 MICROMETER MIN.			
47151-8161	GOLD FLASH			
47151-8031	0.76 MICROMETER MIN.	WITHOUT	WITH	WITH
47151-8081	0.25 MICROMETER MIN.			
47151-8091	GOLD FLASH			
PART NO.	CONTACT AREA PLATING	FLANGE	BACK COVER	DIMPLE

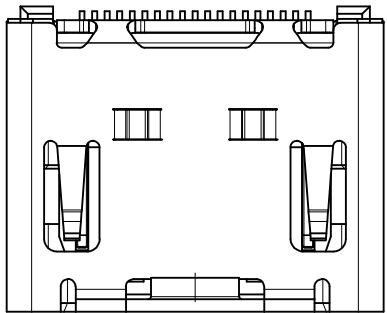
LOCATION UPDATED
 EC NO: S2016-0465
 DR: WHTG0002
 CHKD: JZENG
 APPR: KHL IM

REV	DESCRIPTION
F2	

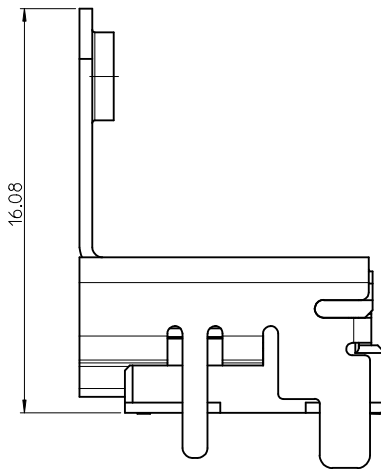
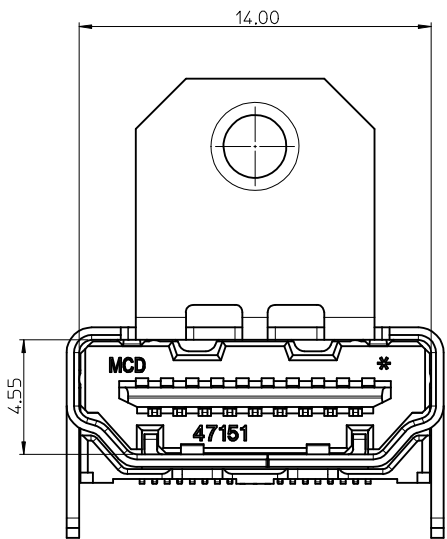
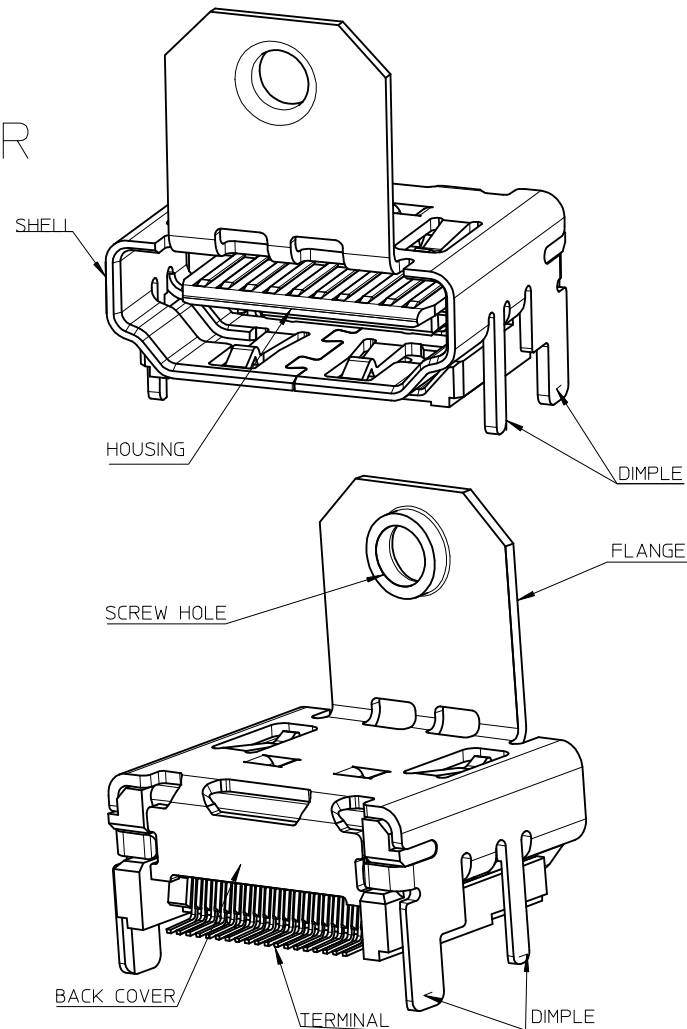
QUALITY SYMBOLS	GENERAL TOLERANCES (UNLESS SPECIFIED)	
	mm	INCH
$F_A=0$	4 PLACES ± ---	± ---
$F_C=0$	3 PLACES ± ---	± ---
$F_B=0$	2 PLACES ± 0.25	± ---
	1 PLACE ± ---	± ---
	0 PLACE ±	±
	ANGULAR ± 3 °	
	DRAFT WHERE APPLICABLE MUST REMAIN WITHIN DIMENSIONS	

DIMENSION STYLE	
MM ONLY	
DRAWN BY	DATE
JZENG	2006/02/21
CHECKED BY	DATE
DIXON	2006/02/21
APPROVED BY	DATE
GRATE MA	2006/02/21
MATERIAL NO.	
SEE TABLE	
SIZE	A3

SCALE	NTS	DESIGN UNITS	METRIC	THIRD ANGLE PROJECTION
TITLE				
1.0 HDMI RIGHT ANGLE HEADER WITH DIMPLE TYPE LEAD FREE				
molex				
DOCUMENT NO.				SHEET NO.
SD-47151-101				3 OF 4
THIS DRAWING CONTAINS INFORMATION THAT IS PROPRIETARY TO MOLEX INCORPORATED AND SHOULD NOT BE USED WITHOUT WRITTEN PERMISSION				



WITH BACK COVER



NOTES:

1. THE UNSPECIFIED DIMENSIONS REFER TO 47151-8011.
2. PACKAGE SPECIFICATION FOR WITH FLANGE REFER TO PK-47151-002.

47151-8521	0.25 MICROMETER MIN.	WITH	WITH	WITHOUT
47151-8321	GOLD FLASH			
47151-8121	0.76 MICROMETER MIN.			
47151-8221	GOLD FLASH	WITH	WITH	WITH
47151-8421	0.25 MICROMETER MIN.			
47151-8021	0.76 MICROMETER MIN.			
PART NO.	CONTACT AREA PLATING	FLANGE	BACK COVER	DIMPLE

LOCATION UPDATED EC NO: S2016-0465 DRWN:HTGU002 CHKD:JZENG APPR:KHL IM	2015/11/10	2015/12/09	2015/12/15
	DESCRIPTION		
	QUALITY SYMBOLS	$\nabla_A = 0$	$\nabla_B = 0$
		$\nabla_C = 0$	

GENERAL TOLERANCES (UNLESS SPECIFIED)	
	mm INCH
4 PLACES	\pm --- \pm ---
3 PLACES	\pm --- \pm ---
2 PLACES	\pm 0.25 \pm ---
1 PLACE	\pm --- \pm ---
0 PLACE	\pm \pm
ANGULAR \pm 3°	
DRAFT WHERE APPLICABLE MUST REMAIN WITHIN DIMENSIONS	

DIMENSION STYLE MM ONLY	
DRAWN BY	DATE
JZENG	2006/02/21
CHECKED BY	DATE
DIXON	2006/02/21
APPROVED BY	DATE
GRATE MA	2006/02/21
MATERIAL NO.	
SEE TABLE	
SIZE	A3

SCALE NTS	DESIGN UNITS METRIC	THIRD ANGLE PROJECTION
TITLE 1.0 HDMI RIGHT ANGLE HEADER WITH DIMPLE TYPE LEAD FREE		
DOCUMENT NO. SD-47151-101		SHEET NO. 4 OF 4
THIS DRAWING CONTAINS INFORMATION THAT IS PROPRIETARY TO MOLEX INCORPORATED AND SHOULD NOT BE USED WITHOUT WRITTEN PERMISSION		