



Chipsmall Limited consists of a professional team with an average of over 10 year of expertise in the distribution of electronic components. Based in Hongkong, we have already established firm and mutual-benefit business relationships with customers from,Europe,America and south Asia,supplying obsolete and hard-to-find components to meet their specific needs.

With the principle of “Quality Parts,Customers Priority,Honest Operation,and Considerate Service”,our business mainly focus on the distribution of electronic components. Line cards we deal with include Microchip,ALPS,ROHM,Xilinx,Pulse,ON,Everlight and Freescale. Main products comprise IC,Modules,Potentiometer,IC Socket,Relay,Connector.Our parts cover such applications as commercial,industrial, and automotives areas.

We are looking forward to setting up business relationship with you and hope to provide you with the best service and solution. Let us make a better world for our industry!



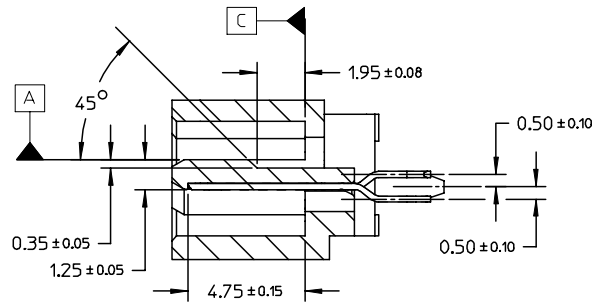
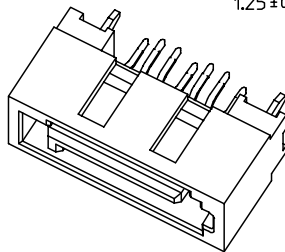
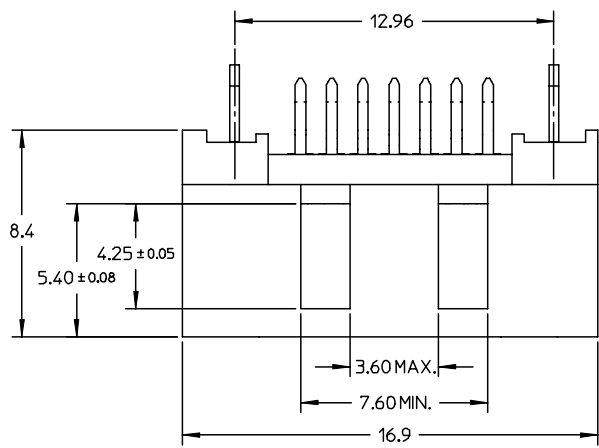
Contact us

Tel: +86-755-8981 8866 Fax: +86-755-8427 6832

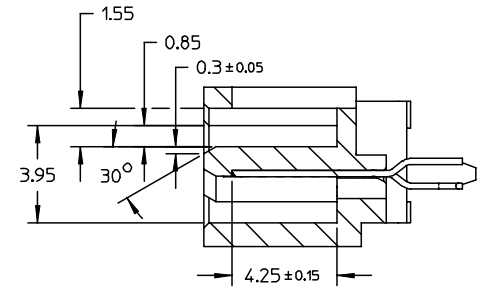
Email & Skype: info@chipsmall.com Web: www.chipsmall.com

Address: A1208, Overseas Decoration Building, #122 Zhenhua RD., Futian, Shenzhen, China

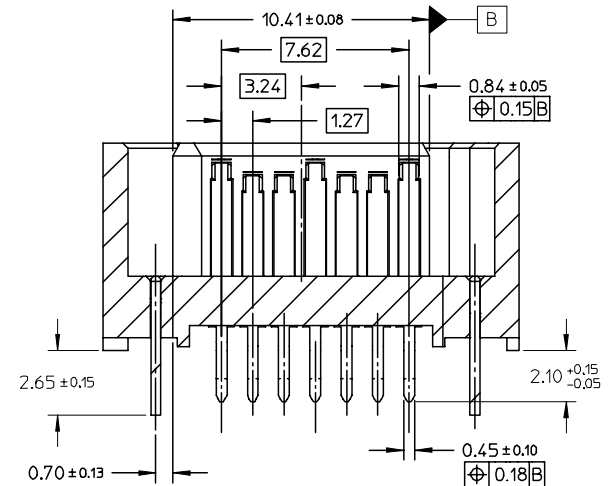
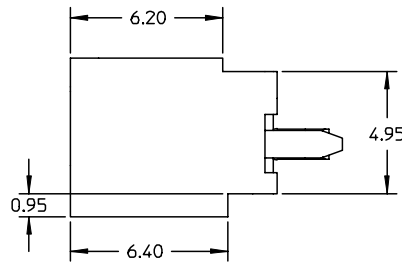
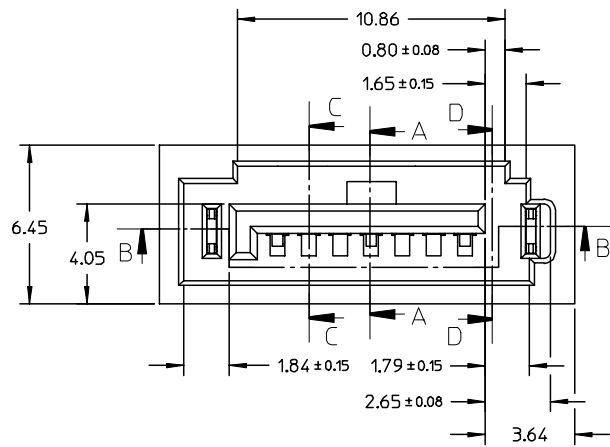




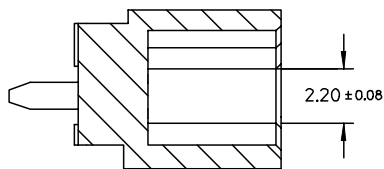
SECTION A-A



SECTION C-C



SECTION B-B



SECTION D-D

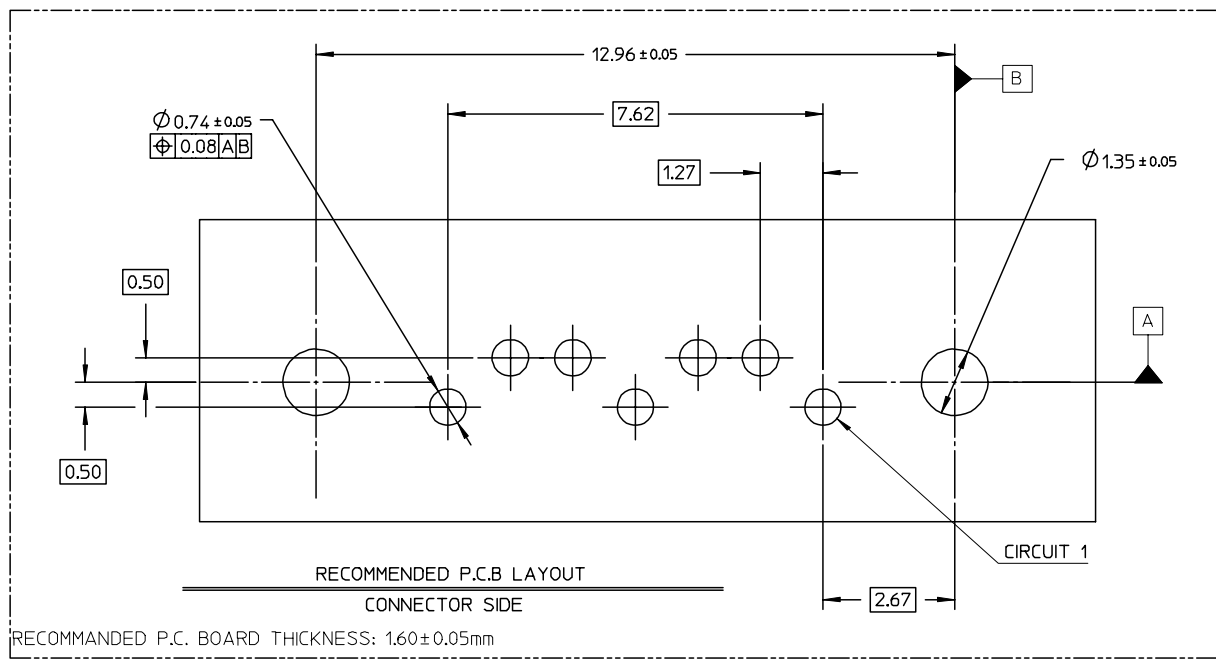
ADD PART NUMBER EC NO: SH2007-0134 DRWN: BCHENZ6 CHKD: JTIAN APPR: JNCHEN	DESCRIPTION 2006/09/01 2006/09/01 2006/09/08
---	---

QUALITY SYMBOLS	▽=0
▽C=0	

GENERAL TOLERANCES (UNLESS SPECIFIED)	mm	INCH
4 PLACES	± ---	± ---
3 PLACES	± ---	± ---
2 PLACES	± 0.15	± ---
1 PLACE	± 0.25	± ---
ANGULAR ± 1 °		
DRAFT WHERE APPLICABLE MUST REMAIN WITHIN DIMENSIONS		

DIMENSION STYLE MM ONLY	
DRAWN BY GRATE	DATE 2004/08/05
CHECKED BY GRATE	DATE 2004/08/05
APPROVED BY VINCENT	DATE 2004/08/05
MATERIAL NO. SEE SHEET 2	

SCALE 5:1	DESIGN UNITS METRIC	THIRD ANGLE PROJECTION
TITLE HIGH SPEED CONNECTOR 1.27MM PITCH VERTICAL DIP SOLDER TAIL		
MOLEX INCORPORATED		
DOCUMENT NO. SD-47155-004	SHEET NO. 1 OF 2	



NOTES:

1. MATERIAL:
HOUSING: THERMAL PLASTIC, COLOR: SEE CHART
GLASS FILLED: UL94V-0
TERMINAL/PEG: BRASS
2. TERMINAL PLATING:
CONTACT AREA: GOLD FLASH
SOLDER TAIL:
TIN PLATED 1.27 MICRON MINIMUM OVER
1.27 MICRON MINIMUM NICKEL UNDER PLATE
3. PEG PLATING:
TIN PLATED 1.8 MICRON MINIMUM OVER
1.27 MICRON MINIMUM NICKEL UNDER PLATE
4. PACKAGING: PK-67800-002
5. PRODUCT SPECIFICATION REFER TO PS-67490-001
6. RECOMMENDED PROCESS: WAVE SOLDERING
7. PRODUCT COMPLIANT TO RoHS DIRECTIVE 2002/95/EC AND ELV DIRECTIVE 2000/53/EC*

471554061	SEE NOTE2	IVORY
471554051	SEE NOTE2	LIGHT BLUE
471554041	SEE NOTE2	NATURE COLOR
471554031	SEE NOTE2	PROCESS BLUE C DELTA E<3
471554001	SEE NOTE2	BLACK
MATERIAL NUMBER	PLATING TYPE	PLASTIC COLOR



ADD PART NUMBER EC NO: SH2007-0134 DRWN: BCHENZ6 CHKD: JTIAN APPR: JNCHEN	2006/09/01 2006/09/01 2006/09/08	QUALITY SYMBOLS ▽=0 ▽C=0	GENERAL TOLERANCES (UNLESS SPECIFIED)		DIMENSION STYLE MM ONLY		SCALE 1:1	DESIGN UNITS METRIC	THIRD ANGLE PROJECTION			
					mm	INCH	DRAWN BY GRATE	DATE 2004/08/05	TITLE HIGH SPEED CONNECTOR 1.27MM PITCH VERTICAL DIP SOLDER TAIL			
			4 PLACES	± ---	± ---		CHECKED BY GRATE	DATE 2004/08/05				
			3 PLACES	± ---	± ---		APPROVED BY VINCENT	DATE 2004/08/05	MATERIAL NO. MOLEX		DOCUMENT NO. SD-47155-004	
2 PLACES	± 0.15	± ---		DRAFT WHERE APPLICABLE MUST REMAIN WITHIN DIMENSIONS		SEE TABLE		SHEET NO. 2 OF 2				
1 PLACE	± 0.25	± ---		ANGULAR ± 1 °		SIZE A3		THIS DRAWING CONTAINS INFORMATION THAT IS PROPRIETARY TO MOLEX INCORPORATED AND SHOULD NOT BE USED WITHOUT WRITTEN PERMISSION				