



Chipsmall Limited consists of a professional team with an average of over 10 year of expertise in the distribution of electronic components. Based in Hongkong, we have already established firm and mutual-benefit business relationships with customers from,Europe,America and south Asia,supplying obsolete and hard-to-find components to meet their specific needs.

With the principle of “Quality Parts,Customers Priority,Honest Operation,and Considerate Service”,our business mainly focus on the distribution of electronic components. Line cards we deal with include Microchip,ALPS,ROHM,Xilinx,Pulse,ON,Everlight and Freescale. Main products comprise IC,Modules,Potentiometer,IC Socket,Relay,Connector.Our parts cover such applications as commercial,industrial, and automotives areas.

We are looking forward to setting up business relationship with you and hope to provide you with the best service and solution. Let us make a better world for our industry!



Contact us

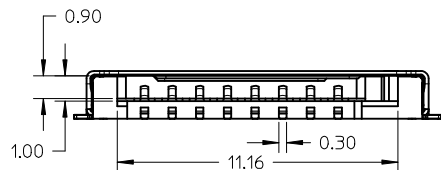
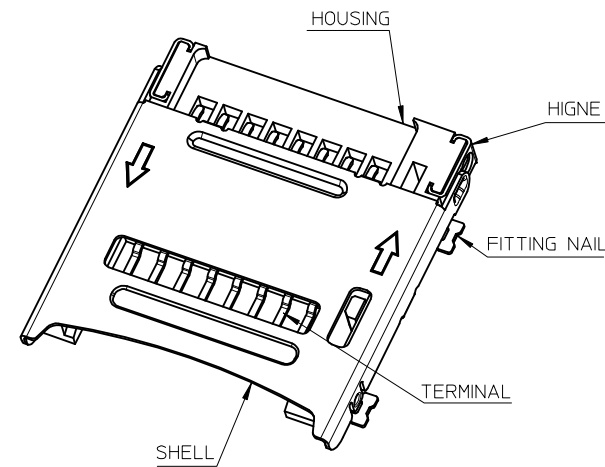
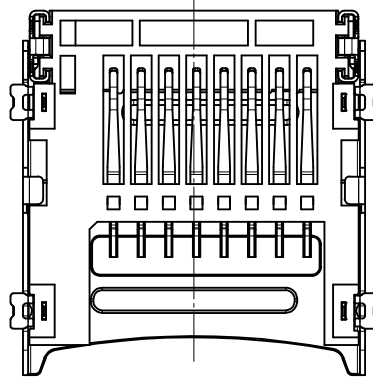
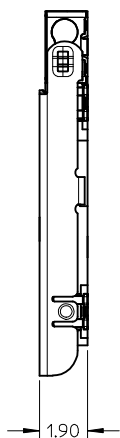
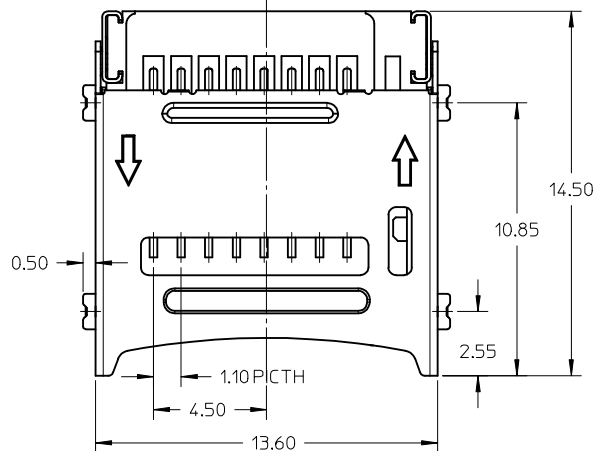
Tel: +86-755-8981 8866 Fax: +86-755-8427 6832

Email & Skype: info@chipsmall.com Web: www.chipsmall.com

Address: A1208, Overseas Decoration Building, #122 Zhenhua RD., Futian, Shenzhen, China



10 9 8 7 6 5 4 3 2 1

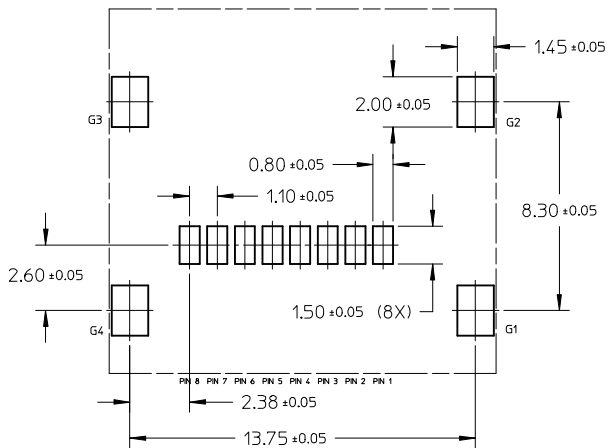


P/N	Gold PLATING ON CONTACT AREA
472190001	2u" min.
472192001	20u" min.

G4	GND
G3	GND
G2	GND
G1	GND
PIN8	DAT1
PIN7	DAT0
PIN6	VSS
PIN5	CLK
PIN4	VDD
PIN3	CMD
PIN2	CD/DAT3
PIN1	DAT2
PIN NUMBER	PIN NAME

NOTES:

- MATERIAL:
 - 1-1 TERMINAL, FITTING NAIL, HIGE : COPPER ALLOY
 - 1-2 SHELL : STAINLESS STEEL
 - 1-3 HOUSING : LCP, UL 94-V0, BLACK
- FINISH:
 - 2-1 TERMINAL : OVERALL NICKEL UNDERPLATED, GOLD PLATING ON CONTACT AREA TIN PLATING ON SOLDER TAIL
 - 2-2 FITTING NAIL : OVERALL NICKEL UNDERPLATED, TIN PLATED ON SOLDER AREA
 - 2-3 HIGE : OVERALL NICKEL PLATING
- MECHANICAL SPECIFICATION:
 - DURABILITY MATED 5,000 TIMES AND STILL MEET ELECTRICAL CHARACTERISTICS
- ELECTRICAL SPECIFICATION:
 - 4-1 RATED CURRENT (PER CONTACT) : 0.5AMPS MAX AND TEMPERATURE RISE SHOULD BE 30°C MAX
 - 4-2 INSULATION RESISTANCE(IIR):100 MEGOHMS MIN.
 - 4-3 DIELECTRIC WITHSTANDING VOLTAGE : N/A
 - 4-4 CONTACT RESISTANCE: 100 MILLIOHMS MAX
- COMPLIANT TO RoHS DIRECTIVE 2002/95/EC AND ELV 2000/53/EC.
- PRODUCT PACKING: PK-47219-001.
- PRODUCT SPECIFICATION: PS-47219-001.



RECOMMENDED PCB LAYOUT

IN CASE OF STENCIL THICKNESS: 0.12MM OPEN RATIO IS 100%.
 IN CASE OF STENCIL THICKNESS : 0.1MM OPEN RATIO IS 100% MINIMUM.
 (0.08MM STENCIL THICKNESS CAN NOT BE RECOMMENDED)

REVISED	EC NO: SH2012-0233	2012/01/18	DESCRIPTION
	DRWING: GLLI	2012/01/18	
	CHKD: XQZHANG	2012/01/18	
	APPR: AYIN	2012/01/20	
G	REV		QUALITY SYMBOLS
			$F_A=0$ $F_G=0$ $F_P=0$

GENERAL TOLERANCES (UNLESS SPECIFIED)	mm	INCH
	4 PLACES ± ---	± ---
	3 PLACES ± ---	± ---
	2 PLACES ± 0.15	± ---
	1 PLACE ± ---	± ---
ANGULAR ± 3 °		
DRAFT WHERE APPLICABLE MUST REMAIN WITHIN DIMENSIONS		

DIMENSION STYLE		SCALE	DESIGN UNITS	THIRD ANGLE PROJECTION
MM ONLY		5:1	METRIC	
DRAWN BY	DATE	TITLE		
GLLI	2012/01/18	TFR READER HINGE TYPE		
CHECKED BY	DATE	MOLEX INCORPORATED		
XQZHANG	2012/01/18	SD-47219-001		
APPROVED BY	DATE	SHEET NO. 1 OF 1		
MATERIAL NO.		DOCUMENT NO.		
SEE TABLE		THIS DRAWING CONTAINS INFORMATION THAT IS PROPRIETARY TO MOLEX INCORPORATED AND SHOULD NOT BE USED WITHOUT WRITTEN PERMISSION		

9 8 7 6 5 4 3 2 1