



Chipsmall Limited consists of a professional team with an average of over 10 year of expertise in the distribution of electronic components. Based in Hongkong, we have already established firm and mutual-benefit business relationships with customers from,Europe,America and south Asia,supplying obsolete and hard-to-find components to meet their specific needs.

With the principle of “Quality Parts,Customers Priority,Honest Operation,and Considerate Service”,our business mainly focus on the distribution of electronic components. Line cards we deal with include Microchip,ALPS,ROHM,Xilinx,Pulse,ON,Everlight and Freescale. Main products comprise IC,Modules,Potentiometer,IC Socket,Relay,Connector.Our parts cover such applications as commercial,industrial, and automotives areas.

We are looking forward to setting up business relationship with you and hope to provide you with the best service and solution. Let us make a better world for our industry!



## Contact us

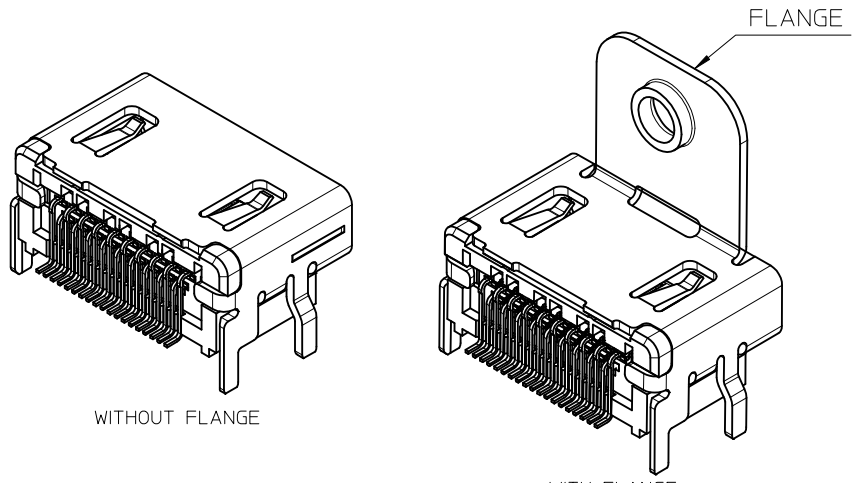
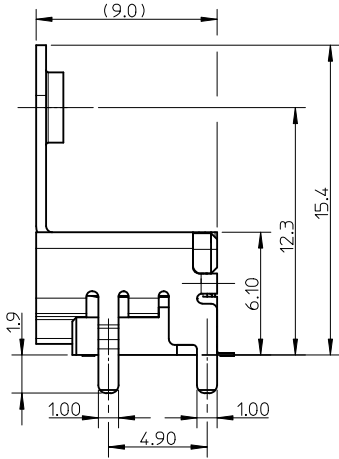
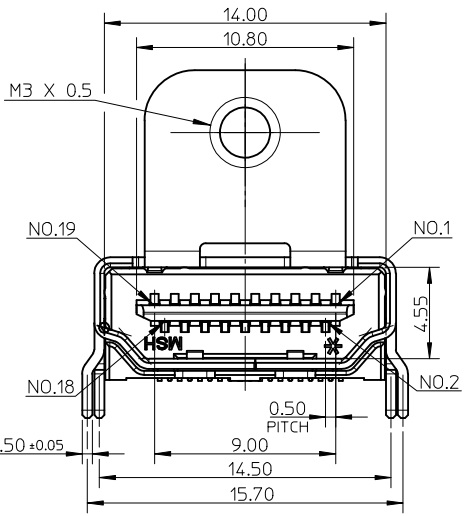
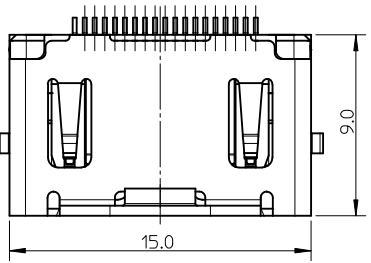
Tel: +86-755-8981 8866 Fax: +86-755-8427 6832

Email & Skype: info@chipsmall.com Web: www.chipsmall.com

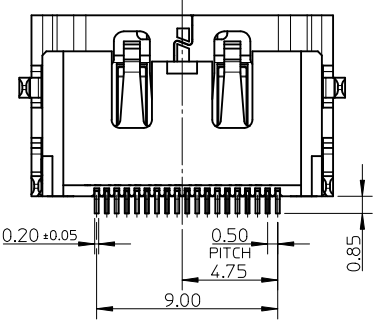
Address: A1208, Overseas Decoration Building, #122 Zhenhua RD., Futian, Shenzhen, China



10 9 8 7 6 5 4 3 2 1



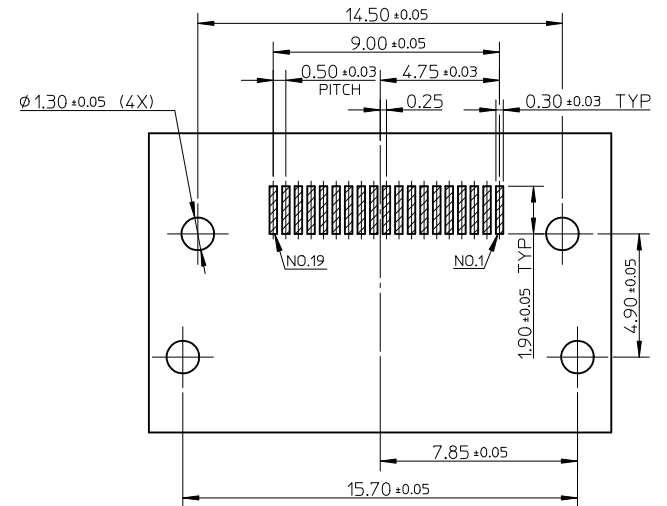
- NOTES:
- MATERIALS:
    - HOUSING: HIGH TEMPERATURE THERMAL PLASTIC. COLOR: SEE TABLE.
    - SHELL: COPPER ALLOY.
    - TERMINAL: COPPER ALLOY.
  - FINISHES:
    - CONTACT AREA: (1) 0.76 MICROMETER MIN. GOLD PLATING. (2) 0.25 MICROMETER MIN. GOLD PLATING. (3) GOLD FLASH. (4) GOLD FLASH OVER PD/NI
    - SOLDER AREA: 1 MICROMETER MIN. TIN-BISMUTH ALLOY PLATING.
    - UNDER PLATE: 1.27 MICROMETER MIN. NICKEL PLATING.
    - SHELL: (1) 1.27 MICROMETER MIN. MATTE TIN PLATING OVERALL. (2) 0.75 MICROMETER MIN. SOLDERABLE NICKEL PLATING OVERALL.
  - PRODUCT SPECIFICATION: PS-47152-001 , TBA FOR PD/NI OPTION
  - PACKAGING SPECIFICATION: SEE TABLE
  - TERMINAL RETENTION FORCE TO BE 0.3kgf Min.
  - COPLANARITY OF ALL TERMINALS IS 0.10mm MAX.
  - PRODUCT COMPLIANT TO RoHS DIRECTIVE 2002/95/EC AND ELV DIRECTIVE 2000/53/EC.



ADD PART NO. EC NO: S2012-0578 DRWN: JZENG 2012/01/18 CH'KD: JESSIE CHUA 2012/03/15 APPR: NAGESHKN 2012/03/19	QUALITY SYMBOLS F=0 F=0 F=0	GENERAL TOLERANCES (UNLESS SPECIFIED)		DIMENSION STYLE MM ONLY		SCALE NTS	DESIGN UNITS METRIC	THIRD ANGLE PROJECTION		
			m.m	INCH	DRAWN BY	DATE	TITLE HDMI RECEPTACLE W/SCREW R/A SMT CUSTOMER DRAWING			
		4 PLACES	± ---	± ---	ROST ZHANG	2005/05/20	MOLEX INCORPORATED			
		3 PLACES	± ---	± ---	CHECKED BY	DATE	DOCUMENT NO. SD-47266-001			
	2 PLACES	± 0.20	± ---	GRATE MA	2005/05/20	SHEET NO. 1 OF 2				
	1 PLACE	± 0.30	± ---	APPROVED BY	DATE	THIS DRAWING CONTAINS INFORMATION THAT IS PROPRIETARY TO MOLEX INCORPORATED AND SHOULD NOT BE USED WITHOUT WRITTEN PERMISSION				
	ANGULAR ± 2 °		MATERIAL NO.		SEE TABLE					
DRAFT WHERE APPLICABLE MUST REMAIN WITHIN DIMENSIONS		SIZE A3								

9 8 7 6 5 4 3 2 1

	10	9	8	7	6	5	4	3	2	1	
F	47266-2301	BLACK	SEE NOTE 2(4)	MATTE TIN	WITHOUT FLANGE	TAPE & REEL, PK-47266-001					
	WITH FLANGE				TRAY, PK-47266-002						
F	47266-7211	NATURE	SEE NOTE 2(3)	SOLDERABLE NICKEL	WITHOUT FLANGE	TAPE & REEL, PK-47266-001					
	47266-7111					SEE NOTE 2(1)					
	47266-7011										
	47266-6301										
E	47266-6201	BLACK	SEE NOTE 2(3)	SOLDERABLE NICKEL	WITHOUT FLANGE	TAPE & REEL, PK-47266-001					
	47266-6101					SEE NOTE 2(2)					
	47266-6001										
	47266-5211										
E	47266-5111	NATURE	SEE NOTE 2(2)	SOLDERABLE NICKEL	WITH FLANGE	TAPE & REEL, PK-47266-003					
	47266-5011					SEE NOTE 2(1)					
	47266-4211										
	47266-4111										
D	47266-4011	BLACK	SEE NOTE 2(1)	SOLDERABLE NICKEL	WITH FLANGE	TAPE & REEL, PK-47266-003					
	47266-5201					SEE NOTE 2(3)					
	47266-5101										
	47266-5001										
D	47266-4201	BLACK	SEE NOTE 2(3)	SOLDERABLE NICKEL	WITH FLANGE	TRAY, PK-47266-002					
	47266-4101					SEE NOTE 2(2)					
	47266-4001										
	47266-3201										
C	47266-3101	NATURE	SEE NOTE 2(2)	MATTE TIN	WITHOUT FLANGE	TAPE & REEL, PK-47266-001					
	47266-3001					SEE NOTE 2(1)					
	47266-2201										
	47266-2101										
C	47266-2001	BLACK	SEE NOTE 2(1)	MATTE TIN	WITHOUT FLANGE	TAPE & REEL, PK-47266-001					
	47266-1211					SEE NOTE 2(3)					
	47266-1111										
	47266-1011										
B	47266-0211	BLACK	SEE NOTE 2(3)	MATTE TIN	WITH FLANGE	TAPE & REEL, PK-47266-003					
	47266-0111					SEE NOTE 2(2)					
	47266-0011										
	47266-1201										
B	47266-1101	NATURE	SEE NOTE 2(2)	MATTE TIN	WITH FLANGE	TRAY, PK-47266-005					
	47266-1001					SEE NOTE 2(1)					
	47266-0201										
	47266-0102										
	47266-0001	BLACK	SEE NOTE 2(1)	MATTE TIN	WITH FLANGE	TRAY, PK-47266-002					
P/N	HOUSING COLOR					CONTACT AREA PLATING	SHELL PLATING	REMARK	PACKAGING SPECIFICATION		



RECOMMEND PCB LAYOUT  
CONNECTOR SIDE VIEW

<b>ADD PART NO.</b> EC NO: S2012-0578 DRWN: JZENG 2012/01/18 CHKD: JESSIECHUA 2012/03/15 APPR: NAGESHKN 2012/03/19 H2	<b>DESCRIPTION</b> QUALITY SYMBOLS $\nabla_A = 0$ $\nabla_C = 0$ $\nabla_P = 0$	<b>GENERAL TOLERANCES (UNLESS SPECIFIED)</b>		<b>DIMENSION STYLE</b> MM ONLY	<b>SCALE</b> NTS	<b>DESIGN UNITS</b> METRIC	THIRD ANGLE PROJECTION		
		4 PLACES ± --- ± --- 3 PLACES ± --- ± --- 2 PLACES ± 0.20 ± --- 1 PLACE ± 0.30 ± ---	mm INCH ± --- ± --- ± 0.20 ± --- ± 0.30 ± ---	DRAWN BY ROST ZHANG	DATE 2005/05/20	<b>TITLE</b> HDMI RECEPTACLE W/SCREW R/A SMT CUSTOMER DRAWING			
		ANGULAR ± 2 °		CHECKED BY GRATE MA	DATE 2005/05/20	<b>MOLEX INCORPORATED</b>			
		DRAFT WHERE APPLICABLE MUST REMAIN WITHIN DIMENSIONS		APPROVED BY XJSONG	DATE 2010/01/26	MATERIAL NO. SEE TABLE	DOCUMENT NO. SD-47266-001	SHEET NO. 2 OF 2	