



Chipsmall Limited consists of a professional team with an average of over 10 year of expertise in the distribution of electronic components. Based in Hongkong, we have already established firm and mutual-benefit business relationships with customers from,Europe,America and south Asia,supplying obsolete and hard-to-find components to meet their specific needs.

With the principle of “Quality Parts,Customers Priority,Honest Operation,and Considerate Service”,our business mainly focus on the distribution of electronic components. Line cards we deal with include Microchip,ALPS,ROHM,Xilinx,Pulse,ON,Everlight and Freescale. Main products comprise IC,Modules,Potentiometer,IC Socket,Relay,Connector.Our parts cover such applications as commercial,industrial, and automotives areas.

We are looking forward to setting up business relationship with you and hope to provide you with the best service and solution. Let us make a better world for our industry!



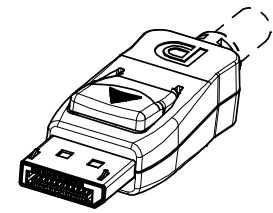
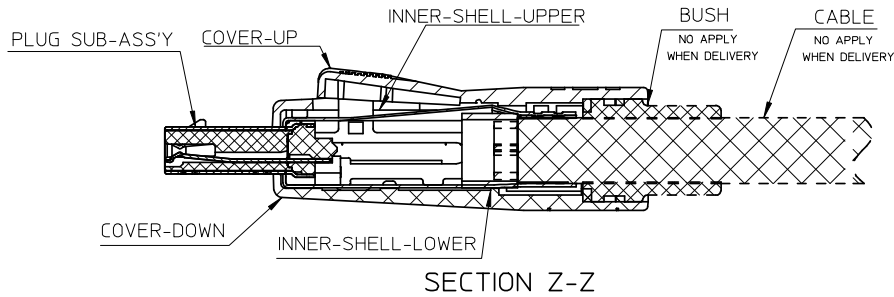
## Contact us

Tel: +86-755-8981 8866 Fax: +86-755-8427 6832

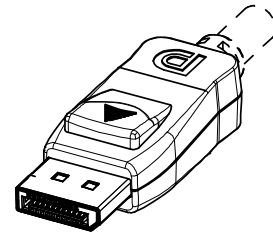
Email & Skype: info@chipsmall.com Web: www.chipsmall.com

Address: A1208, Overseas Decoration Building, #122 Zhenhua RD., Futian, Shenzhen, China

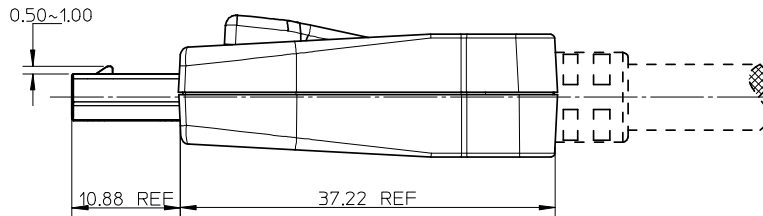
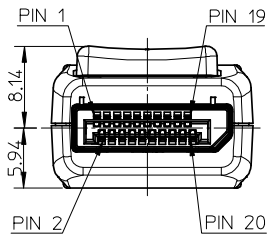
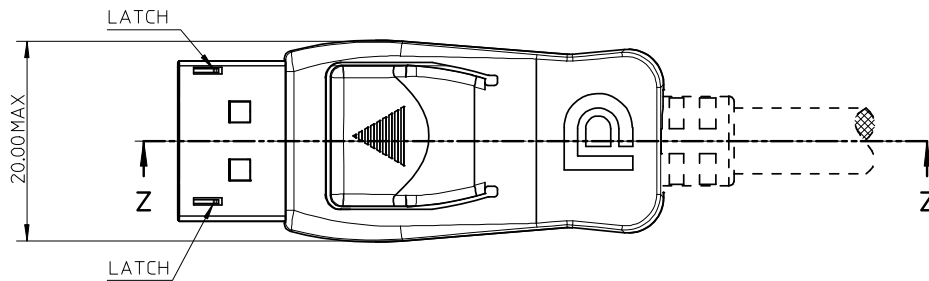




WITH LATCHES



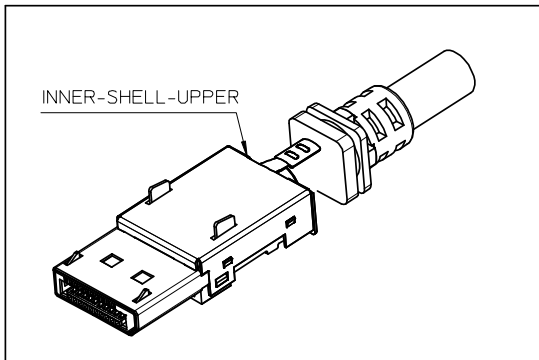
WITHOUT LATCHES



NOTES:

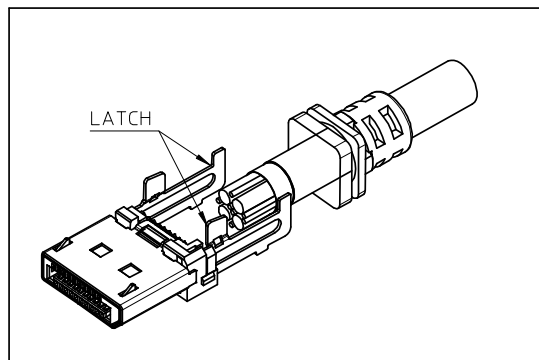
1. CABLE ASSEMBLY DRAWING ONLY FOR CUSTOMER REFERENCE. ALL COMPONENTS WILL BE DELIVERED DISPERSEDLY.
2. THIS PART MEET VESA PROPOSED STANDARD, VERSION1.1.
3. MATES WITH 47272-0001
4. USE WITH CABLE 28&30 AWG
5. MATERIAL :  
HOUSING : HGIIH TEMPERATURE THERMAL PLASTIC GLASS FILLED , BLACK, UL94V-0  
TERMINAL: COPPER ALLOY THICKNESS 0.3 MM  
SHIELD CASE : COPPER ALLOY THICKNESS 0.3 MM
6. PLATING :  
TERMINAL:  
CONTACT AREA : GOLD 0.76 MICROMETER MINIMUM.  
UNDER PLATING : NICKEL 1.27 MICROMETER MINIMUM.
7. PRODUCT SPEC: PS-47272-001
8. CONNECTOR DIRECT SOLDER WITH WIRE
9. PRODUCT COMPLANT TO ROHS DIERTIVE 2002/95/EC AND ELV DIRECTIVE 2000/53/EC

NEW RELEASE EC NO: SH2008-0288 DRWN: HHE 2008/04/07 CHKD: RZHANG 2008/04/07 APPR: HWANG 2008/04/25 REV DESCRIPTION	QUALITY SYMBOLS	GENERAL TOLERANCES (UNLESS SPECIFIED)	DIMENSION STYLE	SCALE	DESIGN UNITS	THIRD ANGLE PROJECTION
	$\nabla=0$ $\nabla=0$	mm INCH 4 PLACES ± --- ± --- 3 PLACES ± --- ± --- 2 PLACES ± 0.15 ± --- 1 PLACE ± 0.15 ± --- ANGULAR ± 1 °	MM ONLY	2:1	METRIC	
		DRAFT WHERE APPLICABLE MUST REMAIN WITHIN DIMENSIONS	DRAWN BY QWFANG DATE 2006/09/05 CHECKED BY IWANG DATE 2006/09/05 APPROVED BY JNCHEN DATE 2006/09/05	TITLE	PLUG ASS'Y FOR DISPLAYPORT	
			MATERIAL NO. SEE SHEET 3 DOCUMENT NO. SD-47271-001 SHEET NO. 1 OF 5	MOLEX INCORPORATED		



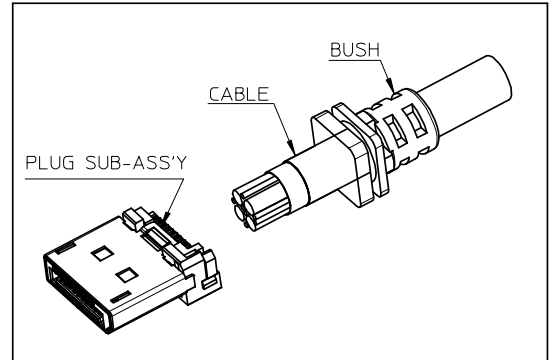
INNER-SHELL-UPPER

ASSEMBLING THE INNER-SHELL-UPPER



LATCH

ASSEMBLING THE LATCHES  
(W/O LATCH TYPE NEEDN'T THIS STEP)

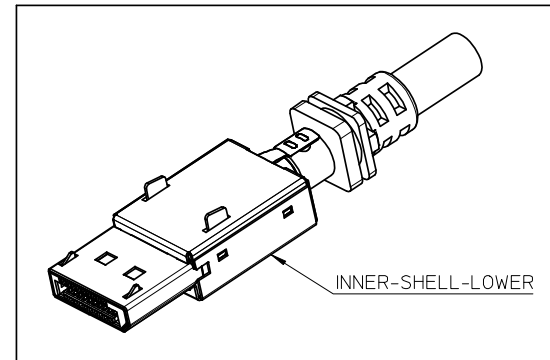


BUSH

CABLE

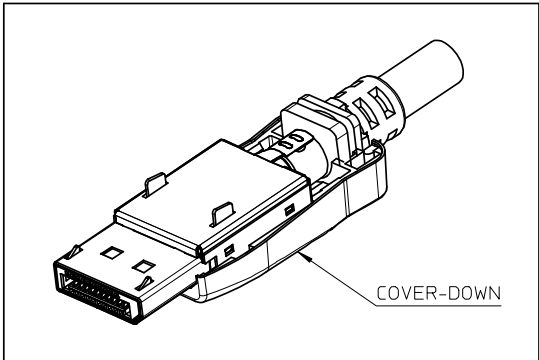
PLUG SUB-ASS'Y

WELDING SUB-ASS'Y AND CABLE



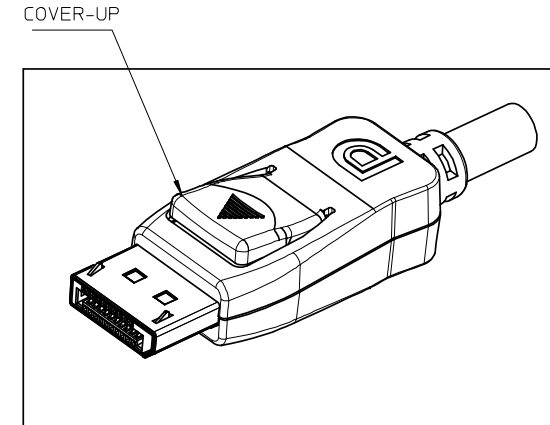
INNER-SHELL-LOWER

ASSEMBLING THE INNER-SHELL-LOWER



COVER-DOWN

ASSEMBLING THE COVER-DOWN



COVER-UP

ASSEMBLING THE COVER-UP

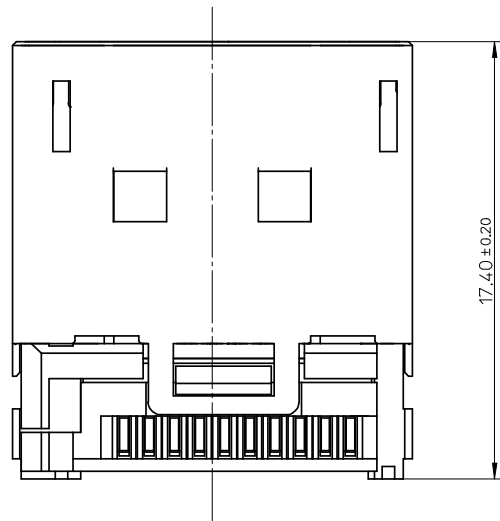
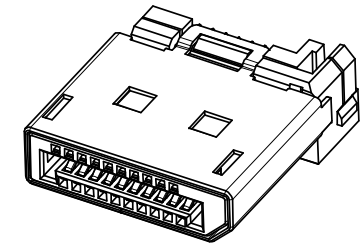
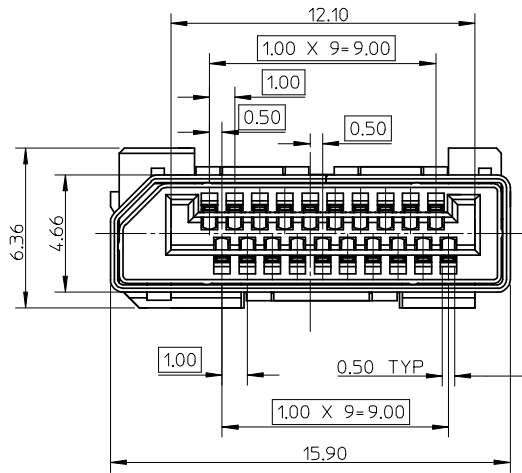
### ASSEMBLY PROCESS

SEE SHEET 1 EC NO: SH2008-0288 DRWN: HHE 2008/04/07 CHKD: RZHANG 2008/04/08 APPR: HWANG 2008/04/25	QUALITY SYMBOLS ▽=0 ◻=0	GENERAL TOLERANCES (UNLESS SPECIFIED)		DIMENSION STYLE	SCALE	DESIGN UNITS	THIRD ANGLE PROJECTION		
			mm	INCH	MM ONLY	2:1	METRIC		
		4 PLACES	± ---	± ---	DRAWN BY	DATE	TITLE		
		3 PLACES	± ---	± ---	QWFANG	2006/09/05	PLUG ASS'Y FOR DISPLAYPORT		
	2 PLACES	± 0.15	± ---	CHECKED BY	DATE	MOLEX INCORPORATED			
	1 PLACE	± 0.15	± ---	IWANG	2006/09/05				
	ANGULAR ± 1 °		APPROVED BY	DATE	DOCUMENT NO.				
	DRAFT WHERE APPLICABLE MUST REMAIN WITHIN DIMENSIONS		JNCHEN	2006/09/05	SD-47271-001				
			MATERIAL NO.	SEE SHEET 3				SHEET NO.	
			SIZE	THIS DRAWING CONTAINS INFORMATION THAT IS PROPRIETARY TO MOLEX INCORPORATED AND SHOULD NOT BE USED WITHOUT WRITTEN PERMISSION				2 OF 5	

COMPONENT	PLUG SUB-ASS'Y	COVER-DOWN	COVER-UP	INNER-SHELL-UPPER	INNER-SHELL-LOWER	LATCH	LATCH	REMARK
COMPONENT P/N	47271-0011	47271-0005	47271-0004	47271-1008	47271-1009	47271-1016	47271-2016	WITH LATCH
	47271-1011	47271-0005	47271-1004	47271-3008	47271-1009	/	/	WITHOUT LATCH
	DETAIL SEE SD-47271-001	DETAIL SEE SD-47271-005	DETAIL SEE SD-47271-004	DETAIL SEE SD-47271-008	DETAIL SEE SD-47271-009	DETAIL SEE SD-47271-006		

NOTES:  
ALL COMPONENTS QUANTITY ARE 1.

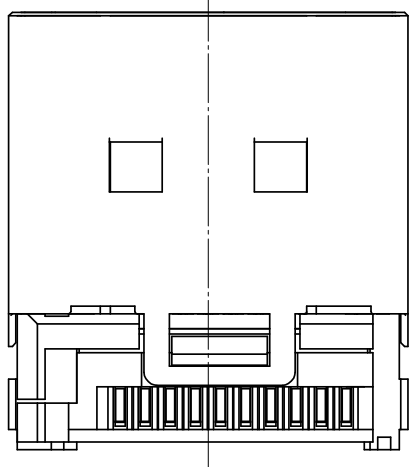
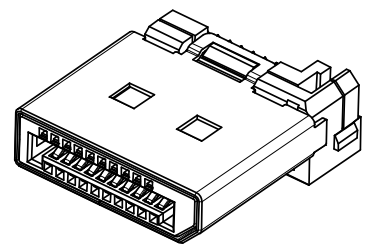
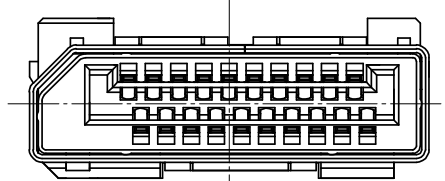
SEE SHEET 1 EC NO: SH2008-0288 DRWN: HHE 2008/04/07 CHKD: RZHANG 2008/04/08 APPR: HWANG 2008/04/25	QUALITY SYMBOLS =0 =0	GENERAL TOLERANCES (UNLESS SPECIFIED)		DIMENSION STYLE MM ONLY		SCALE 5:1	DESIGN UNITS METRIC	THIRD ANGLE PROJECTION		
			mm	INCH	DRAWN BY QWFANG	DATE 2006/09/05	TITLE PLUG ASS'Y FOR DISPLAYPORT			
		4 PLACES	± ---	± ---	CHECKED BY IWANG	DATE 2006/09/05				
		3 PLACES	± ---	± ---	APPROVED BY JNCHEN	DATE 2006/09/05	MOLEX INCORPORATED DOCUMENT NO. SD-47271-001 SHEET NO. 3 OF 5			
2 PLACES	± 0.15	± ---	MATERIAL NO. SEE TABLE							
1 PLACE	± 0.15	± ---	DRAFT WHERE APPLICABLE MUST REMAIN WITHIN DIMENSIONS		THIS DRAWING CONTAINS INFORMATION THAT IS PROPRIETARY TO MOLEX INCORPORATED AND SHOULD NOT BE USED WITHOUT WRITTEN PERMISSION					
		ANGULAR ± 1 °		SIZE A3						



NOTES:  
 THIS PART IS WITH LATCHES TYPE.  
 CAN BE ASSEMBLED WITH LATCHES.

SEE SHEET1 EC NO: SH2008-0288 DRWN:HE 2008/04/07 CHKD:RZHANG 2008/04/08 APPR:HWANG 2008/04/25	DESCRIPTION QUALITY SYMBOLS ▽=0 ◻=0	GENERAL TOLERANCES (UNLESS SPECIFIED)		DIMENSION STYLE MM ONLY		SCALE 5:1	DESIGN UNITS METRIC	THIRD ANGLE PROJECTION	
			mm	INCH	DRAWN BY QWFANG	DATE 2006/09/05	TITLE PLUG ASS'Y FOR DISPLAYPORT		
		4 PLACES	± ---	± ---	CHECKED BY IWANG	DATE 2006/09/05	MOLEX INCORPORATED		
		3 PLACES	± ---	± ---	APPROVED BY JNCHEN	DATE 2006/09/05			
2 PLACES	± 0.15	± ---	ANGULAR ± 1 °		MATERIAL NO. 47271-0011	DOCUMENT NO. SD-47271-001	SHEET NO. 4 OF 5		
1 PLACE	± 0.15	± ---	DRAFT WHERE APPLICABLE MUST REMAIN WITHIN DIMENSIONS		THIS DRAWING CONTAINS INFORMATION THAT IS PROPRIETARY TO MOLEX INCORPORATED AND SHOULD NOT BE USED WITHOUT WRITTEN PERMISSION				

10 9 8 7 6 5 4 3 2 1



NOTES:  
 THIS PART IS WITHOUT LATCHES TYPE.  
 CAN'T BE ASSEMBLED WITH LATCHES.  
 UNSPECIFIED DIMENSIONS ARE SAME AS SHEET 4.

SEE SHEET1 EC NO: SH2008-0288 DRWN: HHE 2008/08/06/07 CHK: KDRZHANG 2008/04/08 APPR: HWANG 2008/04/25	DESCRIPTION REV	QUALITY SYMBOLS ▽=0 ◻=0	GENERAL TOLERANCES (UNLESS SPECIFIED)		DIMENSION STYLE MM ONLY		SCALE 5:1	DESIGN UNITS METRIC	THIRD ANGLE PROJECTION	
			4 PLACES ± --- ± --- 3 PLACES ± --- ± --- 2 PLACES ± 0.15 ± --- 1 PLACE ± 0.15 ± ---	mm INCH ± --- ± --- ± 0.15 ± --- ± 0.15 ± ---	DRAWN BY QWFANG	DATE 2006/09/05	TITLE PLUG ASS'Y FOR DISPLAYPORT			
			ANGULAR ± 1 °	DRAFT WHERE APPLICABLE MUST REMAIN WITHIN DIMENSIONS	CHECKED BY IWANG	DATE 2006/09/05	APPROVED BY JNCHEN 2006/09/05			
					MATERIAL NO. 47271-1011	DOCUMENT NO. SD-47271-001	MOLEX INCORPORATED		SHEET NO. 5 OF 5	

9 8 7 6 5 4 3 2 1