



Chipsmall Limited consists of a professional team with an average of over 10 year of expertise in the distribution of electronic components. Based in Hongkong, we have already established firm and mutual-benefit business relationships with customers from,Europe,America and south Asia,supplying obsolete and hard-to-find components to meet their specific needs.

With the principle of "Quality Parts,Customers Priority,Honest Operation,and Considerate Service",our business mainly focus on the distribution of electronic components. Line cards we deal with include Microchip,ALPS,ROHM,Xilinx,Pulse,ON,Everlight and Freescale. Main products comprise IC,Modules,Potentiometer,IC Socket,Relay,Connector.Our parts cover such applications as commercial,industrial, and automotives areas.

We are looking forward to setting up business relationship with you and hope to provide you with the best service and solution. Let us make a better world for our industry!



Contact us

Tel: +86-755-8981 8866 Fax: +86-755-8427 6832

Email & Skype: info@chipsmall.com Web: www.chipsmall.com

Address: A1208, Overseas Decoration Building, #122 Zhenhua RD., Futian, Shenzhen, China



10 9 8 7 6 5 4 3 2 1

F

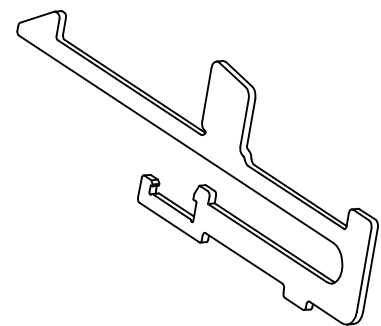
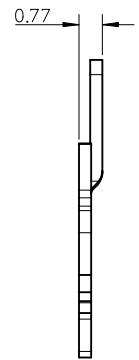
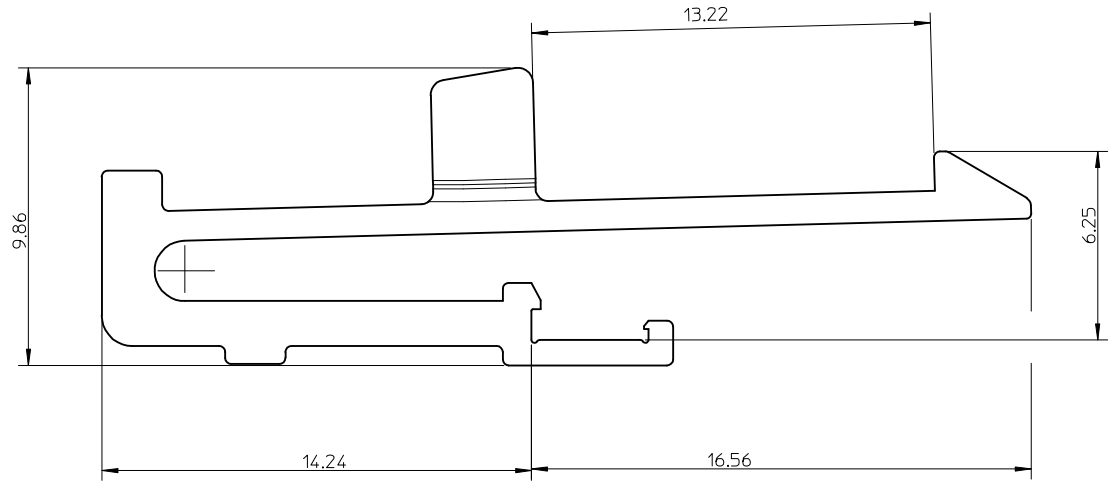
E

D

C

B

A



NOTES:
 1.MATERIAL: STAINLESS STEEL, S301.
 2.ULTRASONIC CLEANING

NEW RELEASE EC NO: SH2009-0333 DRW:HHH CH:KD APPR:HWANG	2008/12/03 2008/12/03 2008/12/18	DESCRIPTION REV	QUALITY SYMBOLS	GENERAL TOLERANCES (UNLESS SPECIFIED) 4 PLACES ± --- ± --- 3 PLACES ± --- ± --- 2 PLACES ± 0.15 ± --- 1 PLACE ± 0.20 ± --- ANGULAR ± 1 ° DRAFT WHERE APPLICABLE MUST REMAIN WITHIN DIMENSIONS	DIMENSION STYLE	SCALE	DESIGN UNITS	THIRD ANGLE PROJECTION
			▽=0 ◻=0		MM ONLY	10:1	METRIC	
					DRAWN BY	DATE	TITLE	
					QWFANG	2006/03/22	LATCH FOR DISPLAYPORT	
		CHECKED BY	DATE					
		RZHANG	2006/03/22					
		APPROVED BY	DATE					
		IWANG	2006/03/22					
		MATERIAL NO.	DOCUMENT NO.					
		47271-1016	SD-47271-006					
		SIZE	THIS DRAWING CONTAINS INFORMATION THAT IS PROPRIETARY TO MOLEX INCORPORATED AND SHOULD NOT BE USED WITHOUT WRITTEN PERMISSION					
		A3						

9 8 7 6 5 4 3 2 1

10 9 8 7 6 5 4 3 2 1

F

F

E

E

D

D

C

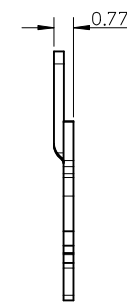
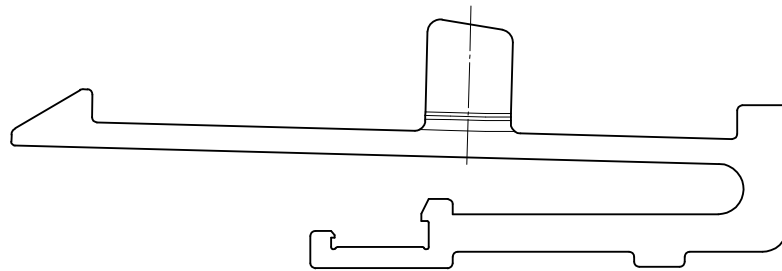
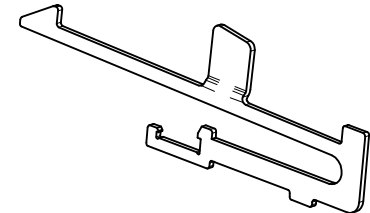
C

B

B

A

A



NOTES:
UNSPECIFIED DIMENSIONS ARE SAME AS SHEET 1.

SEE SHEET 1 EC NO: SH2009-0333 DRWN: HHE CHKD: APPR: HWANG 2008/12/03 2008/12/18	DESCRIPTION REV	QUALITY SYMBOLS ▽=0 ◻=0	GENERAL TOLERANCES (UNLESS SPECIFIED)		DIMENSION STYLE MM ONLY		SCALE 5:1	DESIGN UNITS METRIC	THIRD ANGLE PROJECTION		
			4 PLACES ± --- ± --- 3 PLACES ± --- ± --- 2 PLACES ± 0.15 ± --- 1 PLACE ± 0.20 ± ---	mm INCH	DRAWN BY QWFANG	DATE 2006/03/22	TITLE LATCH FOR DISPLAYPORT				
			ANGULAR ± 1 °		CHECKED BY RZHANG	DATE 2006/03/22	MOLEX INCORPORATED				
			DRAFT WHERE APPLICABLE MUST REMAIN WITHIN DIMENSIONS		APPROVED BY IWANG	DATE 2006/03/22	MATERIAL NO. 47271-2016	DOCUMENT NO. SD-47271-006	SHEET NO. 2 OF 2		

9 8 7 6 5 4 3 2 1