



Chipsmall Limited consists of a professional team with an average of over 10 year of expertise in the distribution of electronic components. Based in Hongkong, we have already established firm and mutual-benefit business relationships with customers from,Europe,America and south Asia,supplying obsolete and hard-to-find components to meet their specific needs.

With the principle of “Quality Parts,Customers Priority,Honest Operation,and Considerate Service”,our business mainly focus on the distribution of electronic components. Line cards we deal with include Microchip,ALPS,ROHM,Xilinx,Pulse,ON,Everlight and Freescale. Main products comprise IC,Modules,Potentiometer,IC Socket,Relay,Connector.Our parts cover such applications as commercial,industrial, and automotives areas.

We are looking forward to setting up business relationship with you and hope to provide you with the best service and solution. Let us make a better world for our industry!



Contact us

Tel: +86-755-8981 8866 Fax: +86-755-8427 6832

Email & Skype: info@chipsmall.com Web: www.chipsmall.com

Address: A1208, Overseas Decoration Building, #122 Zhenhua RD., Futian, Shenzhen, China



10 9 8 7 6 5 4 3 2 1

F

F

E

E

D

D

C

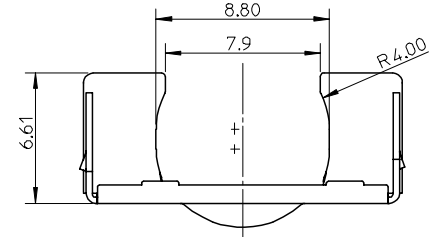
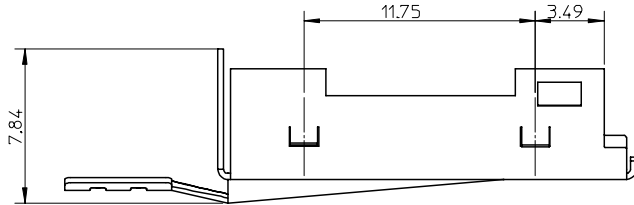
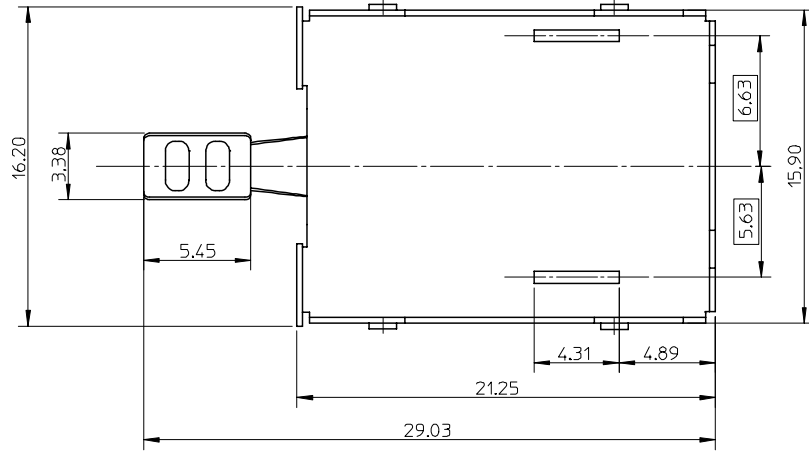
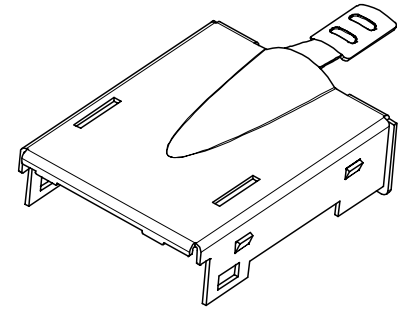
C

B

B

A

A



- NOTES:
1. THIS PART IS WITH LATCHES TYPE
 2. MATERIAL : 0.30MM THICKNESS COPPER ALLOY.
 3. PLATING : NICKEL 2.0 MICROMETER MIN OVERALL.

NEW RELEASE
 EC NO: SH2007-0705
 2007/04/27
 DRWN:HHE
 2007/04/30
 CHKD:
 APPR: JNCHEN
 2007/05/10

REV	DESCRIPTION
A	

QUALITY SYMBOLS	$\nabla=0$	$\nabla=0$
GENERAL TOLERANCES (UNLESS SPECIFIED)	mm	INCH
4 PLACES	\pm ---	\pm ---
3 PLACES	\pm ---	\pm ---
2 PLACES	± 0.15	\pm ---
1 PLACE	± 0.15	\pm ---
ANGULAR $\pm 2^\circ$		
DRAFT WHERE APPLICABLE MUST REMAIN WITHIN DIMENSIONS		

DIMENSION STYLE		SCALE	DESIGN UNITS	THIRD ANGLE PROJECTION
MM ONLY		4:1	METRIC	
DRAWN BY	DATE	TITLE		
QWFANG	2006/09/05	INNER-SHELL-UPPER FOR DISPLAYPORT		
CHECKED BY	DATE	MOLEX INCORPORATED		
IWANG	2006/09/05	MATERIAL NO. 47271-1008		
APPROVED BY	DATE	DOCUMENT NO. SD-47271-008		
JNCHEN	2006/09/05	SHEET NO. 1 OF 2		

THIS DRAWING CONTAINS INFORMATION THAT IS PROPRIETARY TO MOLEX INCORPORATED AND SHOULD NOT BE USED WITHOUT WRITTEN PERMISSION

9 8 7 6 5 4 3 2 1

10 9 8 7 6 5 4 3 2 1

F

F

E

E

D

D

C

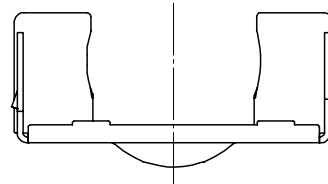
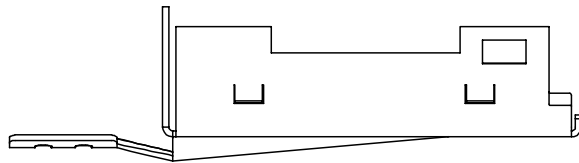
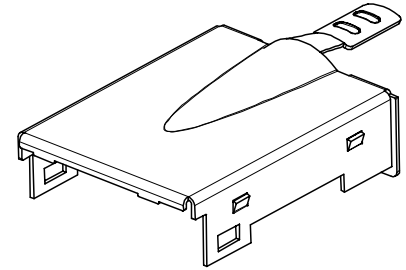
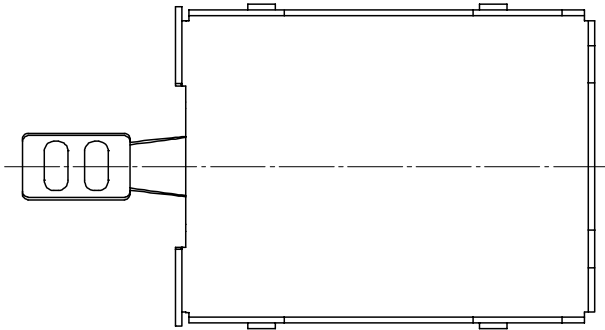
C

B

B

A

A



NOTES:

THIS PART IS WITHOUT LATCHES TYPE.
UNSPECIFIED DIMENSIONS ARE SAME AS SHEET 1.

SEE SHEET 1 EC NO: SH2007-0705 DRWN: HHE CHKD: APPR: JNCHEN 2007/04/27 2007/05/10	DESCRIPTION REV	QUALITY SYMBOLS ▽=0 ◻=0	GENERAL TOLERANCES (UNLESS SPECIFIED)		DIMENSION STYLE MM ONLY		SCALE 4:1	DESIGN UNITS METRIC	THIRD ANGLE PROJECTION		
			4 PLACES ± --- ± --- 3 PLACES ± --- ± --- 2 PLACES ± 0.15 ± --- 1 PLACE ± 0.15 ± ---	mm INCH ± --- ± --- ± 0.15 ± --- ± 0.15 ± ---	DRAWN BY QWFANG	DATE 2006/09/05	TITLE INNER-SHELL-UPPER FOR DISPLAYPORT				
			ANGULAR ± 2 °	CHECKED BY IWANG	DATE 2006/09/05						
			DRAFT WHERE APPLICABLE MUST REMAIN WITHIN DIMENSIONS	APPROVED BY JNCHEN	DATE 2006/09/05	MATERIAL NO. 47271-3008		DOCUMENT NO. SD-47271-008		SHEET NO. 2 OF 2	
			SIZE A3		THIS DRAWING CONTAINS INFORMATION THAT IS PROPRIETARY TO MOLEX INCORPORATED AND SHOULD NOT BE USED WITHOUT WRITTEN PERMISSION						

9 8 7 6 5 4 3 2 1