



Chipsmall Limited consists of a professional team with an average of over 10 year of expertise in the distribution of electronic components. Based in Hongkong, we have already established firm and mutual-benefit business relationships with customers from,Europe,America and south Asia,supplying obsolete and hard-to-find components to meet their specific needs.

With the principle of “Quality Parts,Customers Priority,Honest Operation,and Considerate Service”,our business mainly focus on the distribution of electronic components. Line cards we deal with include Microchip,ALPS,ROHM,Xilinx,Pulse,ON,Everlight and Freescale. Main products comprise IC,Modules,Potentiometer,IC Socket,Relay,Connector.Our parts cover such applications as commercial,industrial, and automotives areas.

We are looking forward to setting up business relationship with you and hope to provide you with the best service and solution. Let us make a better world for our industry!



## Contact us

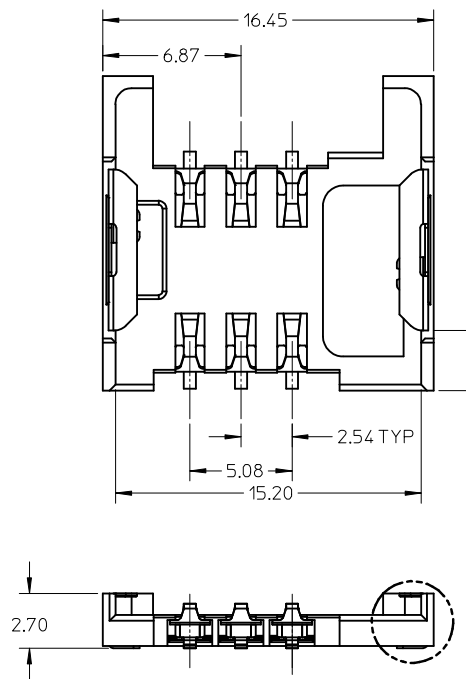
Tel: +86-755-8981 8866 Fax: +86-755-8427 6832

Email & Skype: info@chipsmall.com Web: www.chipsmall.com

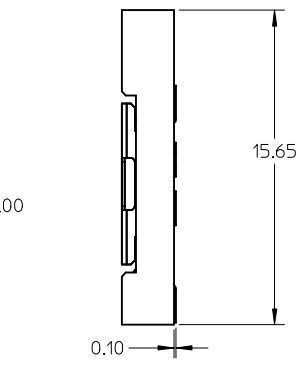
Address: A1208, Overseas Decoration Building, #122 Zhenhua RD., Futian, Shenzhen, China



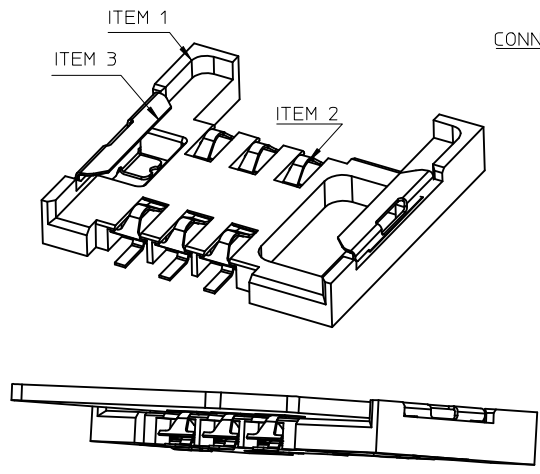
10 9 8 7 6 5 4 3 2 1



DETAIL1

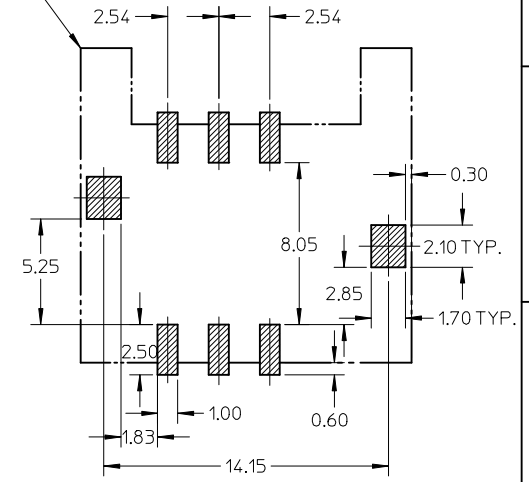


DETAIL1

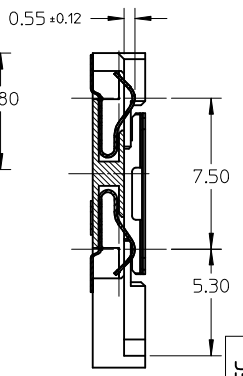
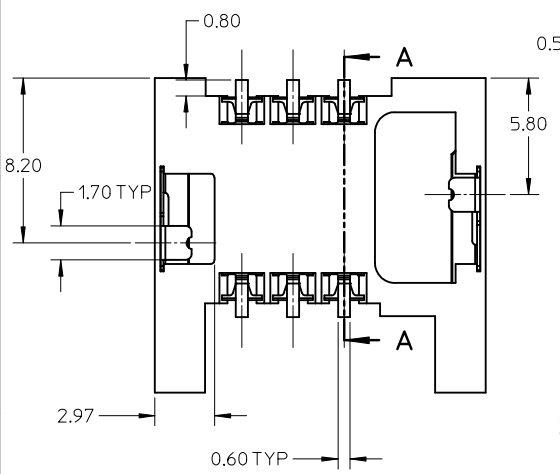


SIM WITH CARD

CONNECTOR PROFILE



RECOMMENDED PCB LAYOUT



SECTION A-A

ITEM	NAME	MATERIAL NO.
1	HOUSING	472730002
2	TERMINAL	472738003
3	SHELL	472730004

NOTES:

1.MATERIAL:

HOUSING: LCP, GLASS-FILLED, UL 94V-0, COLOR ,BLACK.  
 TERMINAL: 0.12MM PHOSPHOR BRONZE.  
 SHELL: STAINLESS STEEL.

2.FINISH:

TERMINAL CONTACT AREA: 10μ² GOLD PLATING OVERALL 1.25 MICRON NICKEL MIN.  
 TERMINAL SOLDER AREA: GOLD FLASH OVERALL 1.25 MICRON NICKEL MIN.  
 SHELL: GOLD FLASH OVER SOLDERING PAD, 2.0 MICRON NICKEL MIN. OVERALL

3.COPLANARITY: 0.1MM MAX AMONG SOLDER TAILS AND FITTING NAILS.

4.PRODUCT SPECIFICATION: PS-47273-001.

5.PRODUCT COMPLIANT TO ROHS DIRECTIVE 2002/95/EC  
 AND ELV DIRECTIVE 2000/53/EC

UPDATED PLATING SPEC.	EC NO:	2009/09/01
	DRW:LL1010	2009/09/01
	CHKD:	2009/09/13
	APPR:MFDENG	
REV	A	

QUALITY SYMBOLS	DESCRIPTION
▽=0	
⊕=0	

GENERAL TOLERANCES (UNLESS SPECIFIED)

	mm	INCH
4 PLACES	± ---	± ---
3 PLACES	± ---	± ---
2 PLACES	± 0.2	± ---
1 PLACE	± ---	± ---

ANGULAR ± 3 °  
 DRAFT WHERE APPLICABLE  
 MUST REMAIN  
 WITHIN DIMENSIONS

DIMENSION STYLE  
 MM ONLY

DRAWN BY	DATE
OYANG	2005-08-31
CHECKED BY	DATE
Y. J WU	2005-08-31
APPROVED BY	DATE
VINCENT	2005-08-31
MATERIAL NO.	
472738001	

SCALE  
 4:1

DESIGN UNITS  
 METRIC

THIRD ANGLE PROJECTION

SIM CARD CONNECTOR  
 SALES DRAWING



MOLEX INCORPORATED

DOCUMENT NO.

SD-47273-801

SHEET NO.

1 OF 1

SIZE  
 A3

THIS DRAWING CONTAINS INFORMATION THAT IS PROPRIETARY TO MOLEX INCORPORATED AND SHOULD NOT BE USED WITHOUT WRITTEN PERMISSION

9 8 7 6 5 4 3 2 1