



Chipsmall Limited consists of a professional team with an average of over 10 year of expertise in the distribution of electronic components. Based in Hongkong, we have already established firm and mutual-benefit business relationships with customers from,Europe,America and south Asia,supplying obsolete and hard-to-find components to meet their specific needs.

With the principle of “Quality Parts,Customers Priority,Honest Operation,and Considerate Service”,our business mainly focus on the distribution of electronic components. Line cards we deal with include Microchip,ALPS,ROHM,Xilinx,Pulse,ON,Everlight and Freescale. Main products comprise IC,Modules,Potentiometer,IC Socket,Relay,Connector.Our parts cover such applications as commercial,industrial, and automotives areas.

We are looking forward to setting up business relationship with you and hope to provide you with the best service and solution. Let us make a better world for our industry!



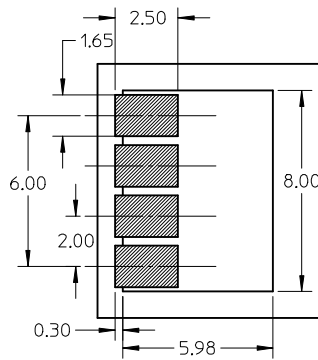
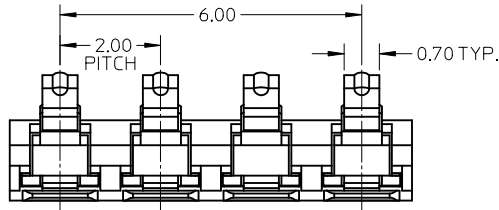
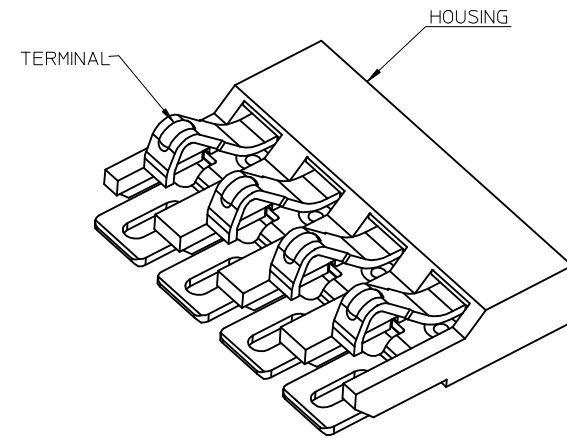
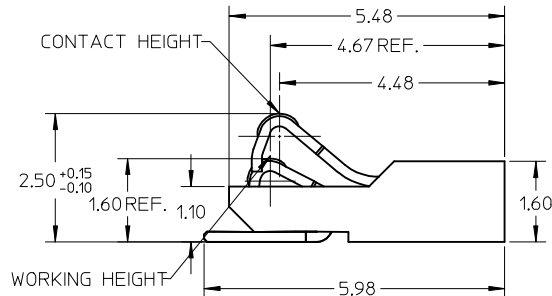
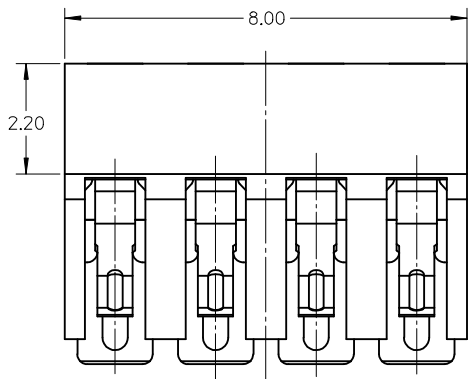
Contact us

Tel: +86-755-8981 8866 Fax: +86-755-8427 6832

Email & Skype: info@chipsmall.com Web: www.chipsmall.com

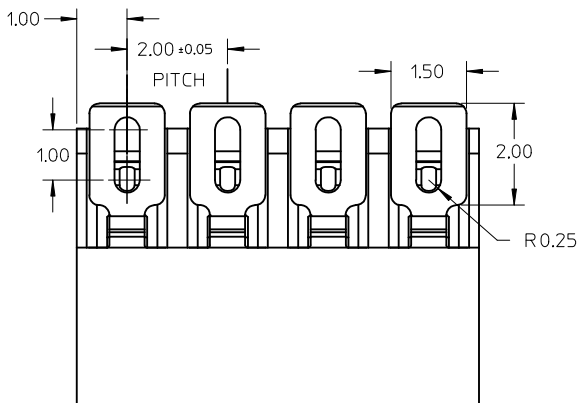
Address: A1208, Overseas Decoration Building, #122 Zhenhua RD., Futian, Shenzhen, China





RECOMMENDED PCB LAYOUT
TOLERANCE: +/- 0.05

NOTE:
 1.MATERIAL:
 HOUSING: HIGH TEMPERATURE THERMOPLASTIC,COLOR:BLACK
 TERMINAL: COPPER ALLOY
 2.FINISH:
 CONTACT AREA: 0.75 MICRON GOLD MIN OVER 1.25 MICRON NICKEL MIN.
 SOLDER AREA: GOLD FLASH (0.075~0.125 MICRON) OVER 1.25 MICRON NICKEL MIN.
 REST AREA: 1.25 MICRON NICKEL MIN.
 3.COPLANARITY: 0.1 MAX AMONG THESE SOLDER TAILS.
 4.PRODUCT SPECIFICATION: PS-47286-001
 5.RECOMMENDED WORKING DEFLECTION RANGE:0.6-1.00 MM



REVISE	EC NO:	2006/09/08	QUALITY SYMBOLS	GENERAL TOLERANCES (UNLESS SPECIFIED)		DIMENSION STYLE		SCALE	DESIGN UNITS	THIRD ANGLE PROJECTION	
	DRW: LHS	2006/10/17	▽=0	mm	INCH	MM ONLY		5:1	METRIC	□	
	CHK: XJ	2006/11/16	∇=0	4 PLACES	± ---	± ---	DRAWN BY	DATE	TITLE	2.0MM PITCH 4 CIRCUITS	
	APP: JNC			3 PLACES	± ---	± ---	SSUN	2005/07/29		0.7MM CONTACT WIDTH	
				2 PLACES	± 0.15	± ---	CHECKED BY	DATE		BATTERY CONNECTOR	
				1 PLACE	± 0.20	± ---	XUXIANG	2006/07/06		MOLEX INCORPORATED	
				ANGULAR ± 2 °			APPROVED BY	DATE	MATERIAL NO.	DOCUMENT NO.	SHEET NO.
				DRAFT WHERE APPLICABLE MUST REMAIN WITHIN DIMENSIONS			JENNY CHEN	2006/07/07	472861001	SD-47286-001	1 OF 1
							SIZE	THIS DRAWING CONTAINS INFORMATION THAT IS PROPRIETARY TO MOLEX INCORPORATED AND SHOULD NOT BE USED WITHOUT WRITTEN PERMISSION			
							A3				