

Chipsmall Limited consists of a professional team with an average of over 10 year of expertise in the distribution of electronic components. Based in Hongkong, we have already established firm and mutual-benefit business relationships with customers from,Europe,America and south Asia,supplying obsolete and hard-to-find components to meet their specific needs.

With the principle of “Quality Parts,Customers Priority,Honest Operation,and Considerate Service”,our business mainly focus on the distribution of electronic components. Line cards we deal with include Microchip,ALPS,ROHM,Xilinx,Pulse,ON,Everlight and Freescale. Main products comprise IC,Modules,Potentiometer,IC Socket,Relay,Connector.Our parts cover such applications as commercial,industrial, and automotives areas.

We are looking forward to setting up business relationship with you and hope to provide you with the best service and solution. Let us make a better world for our industry!

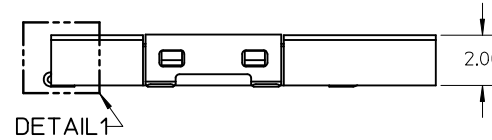
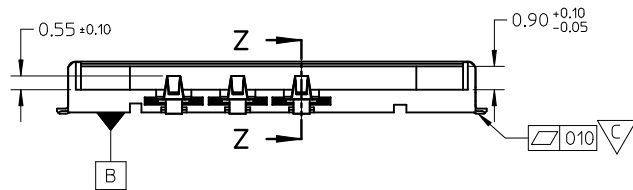
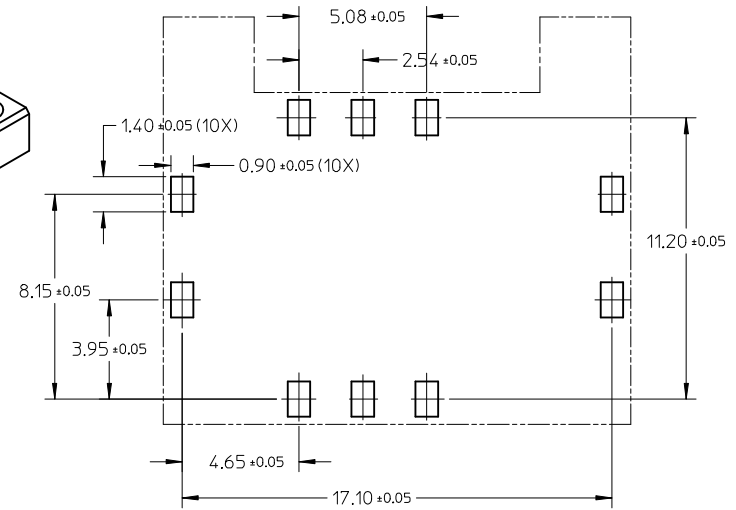
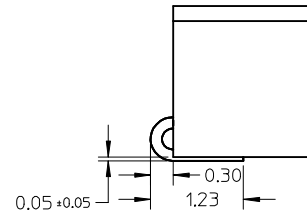
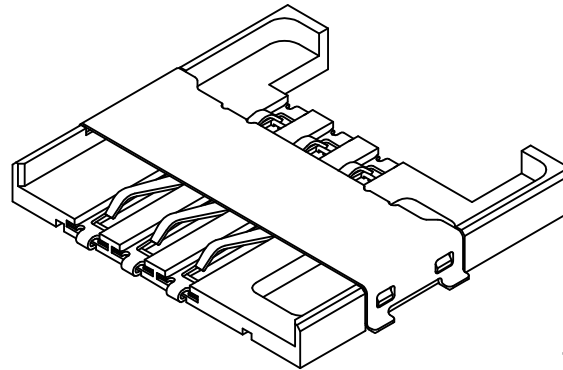
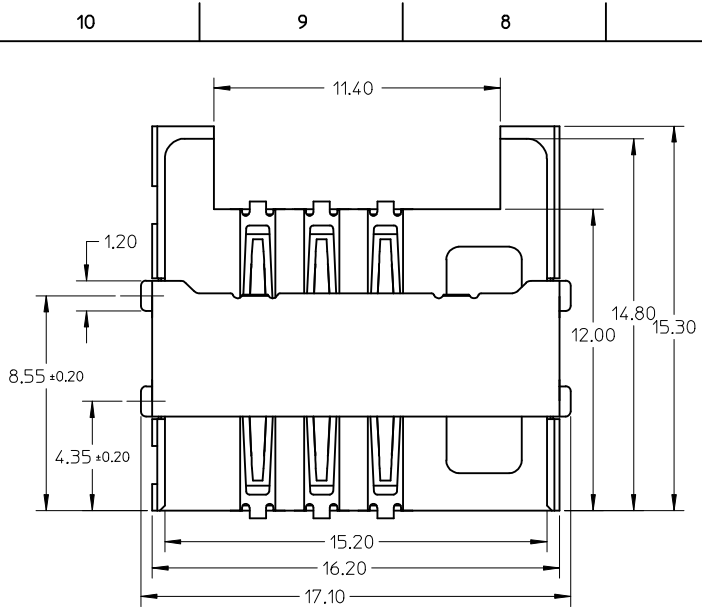


## Contact us

Tel: +86-755-8981 8866 Fax: +86-755-8427 6832

Email & Skype: info@chipsmall.com Web: www.chipsmall.com

Address: A1208, Overseas Decoration Building, #122 Zhenhua RD., Futian, Shenzhen, China



NOTE:

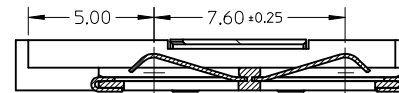
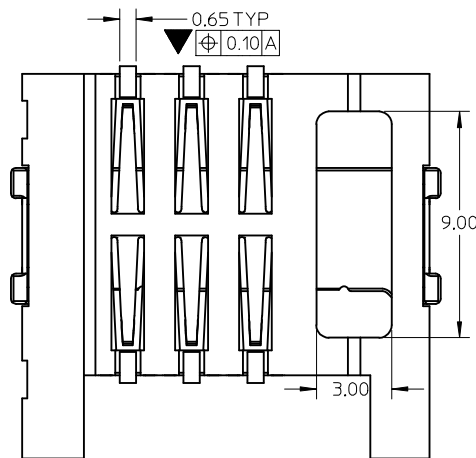
1.MATERIAL:

HOUSING: LCP, GLASS-FILLED, UL 94V-0, COLOR .BLACK.  
 TERMINAL:PHOSPHOR BRONZE.THICKNESS:0.12MM.  
 SHELL: STAINLESS STEEL.THICKNESS:0.2MM.

2.FINISH:

1.0~4.0 MICRON NI OVER ALL.  
 0.5 MICRON MIN GOLD FOR CONTACT AREA.  
 0.05 GOLD MICRON MIN FOR SOLDER TAIL.

3.PRODUCT SPECIFICATION: PS-47308-001.



SECTION Z-Z

CORRECT NI PLATING EC NO: S2013-0074 DRWN: JZENG CHKD: JTAN02 APPR: KHLIM	2012/08/09 2012/09/04 2012/09/05 DESCRIPTION F <sub>A</sub> =0 F <sub>E</sub> =0 F <sub>B</sub> =0 C=1 1=1	QUALITY SYMBOLS		GENERAL TOLERANCES (UNLESS SPECIFIED)		DIMENSION STYLE MM ONLY		SCALE NTS	DESIGN UNITS METRIC	THIRD ANGLE PROJECTION	
				mm	INCH	DRAWN BY CYZHU	DATE 2005/11/24	TITLE SIM CARD CONNECTOR 2.0MM HEIGHT			
		4 PLACES	± ---	± ---	CHECKED BY YJWU	DATE 2005/11/24	APPROVED BY GCHEN				
		3 PLACES	± ---	± ---	MATERIAL NO. 473080001	DATE 2005/11/24	MOLEX INCORPORATED		DOCUMENT NO. SD-47308-001	SHEET NO. 1 OF 1	
				2 PLACES	± 0.15	± ---	THIS DRAWING CONTAINS INFORMATION THAT IS PROPRIETARY TO MOLEX INCORPORATED AND SHOULD NOT BE USED WITHOUT WRITTEN PERMISSION				
				1 PLACE	± ---	± ---					
				ANGULAR ±1/2°		DRAFT WHERE APPLICABLE MUST REMAIN WITHIN DIMENSIONS					