



Chipsmall Limited consists of a professional team with an average of over 10 year of expertise in the distribution of electronic components. Based in Hongkong, we have already established firm and mutual-benefit business relationships with customers from,Europe,America and south Asia,supplying obsolete and hard-to-find components to meet their specific needs.

With the principle of “Quality Parts,Customers Priority,Honest Operation,and Considerate Service”,our business mainly focus on the distribution of electronic components. Line cards we deal with include Microchip,ALPS,ROHM,Xilinx,Pulse,ON,Everlight and Freescale. Main products comprise IC,Modules,Potentiometer,IC Socket,Relay,Connector.Our parts cover such applications as commercial,industrial, and automotives areas.

We are looking forward to setting up business relationship with you and hope to provide you with the best service and solution. Let us make a better world for our industry!



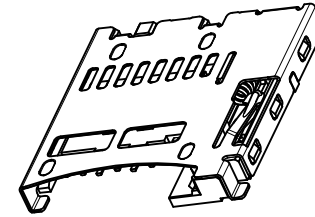
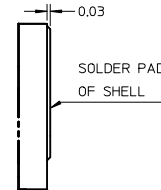
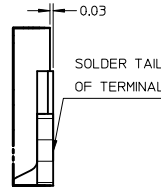
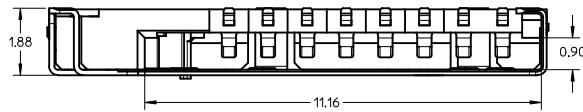
Contact us

Tel: +86-755-8981 8866 Fax: +86-755-8427 6832

Email & Skype: info@chipsmall.com Web: www.chipsmall.com

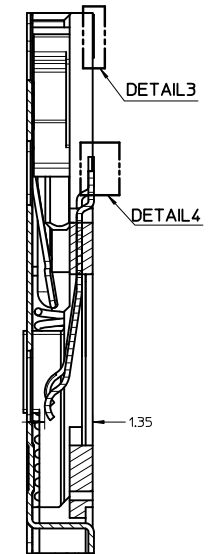
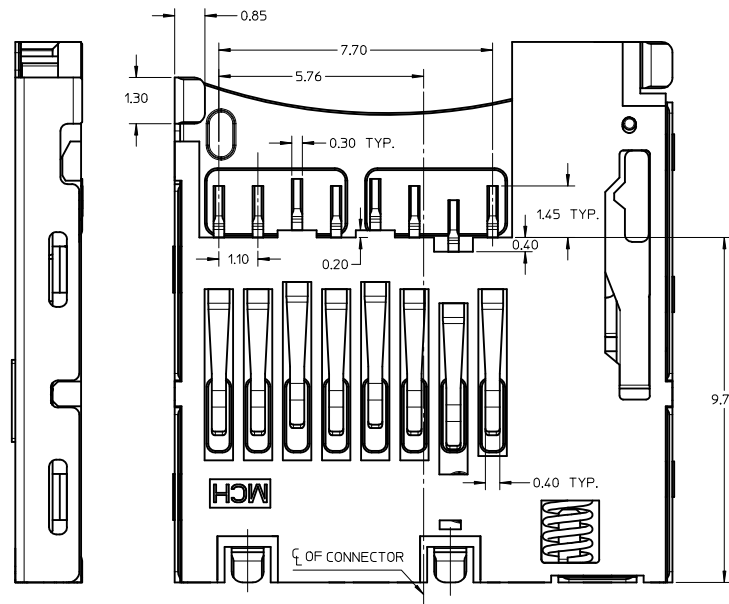
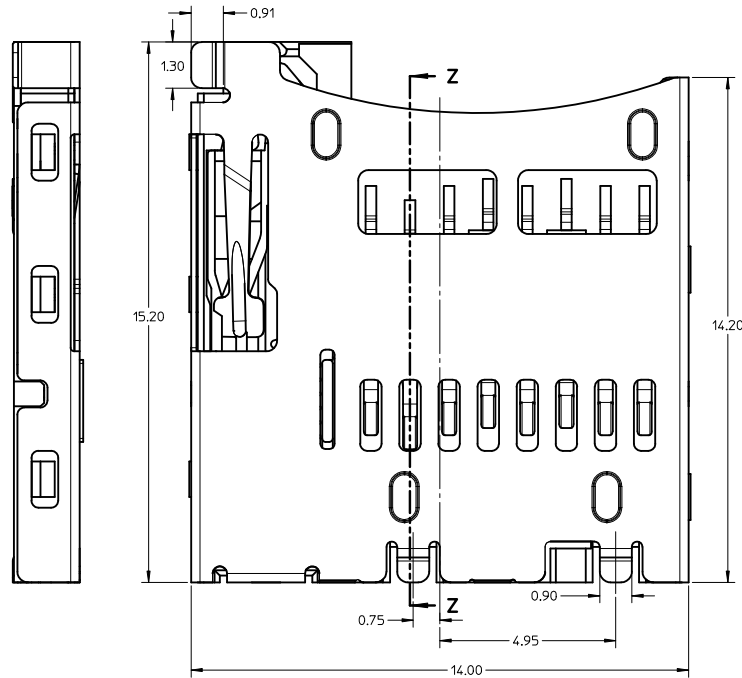
Address: A1208, Overseas Decoration Building, #122 Zhenhua RD., Futian, Shenzhen, China



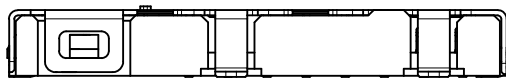


DETAIL 4

DETAIL 3



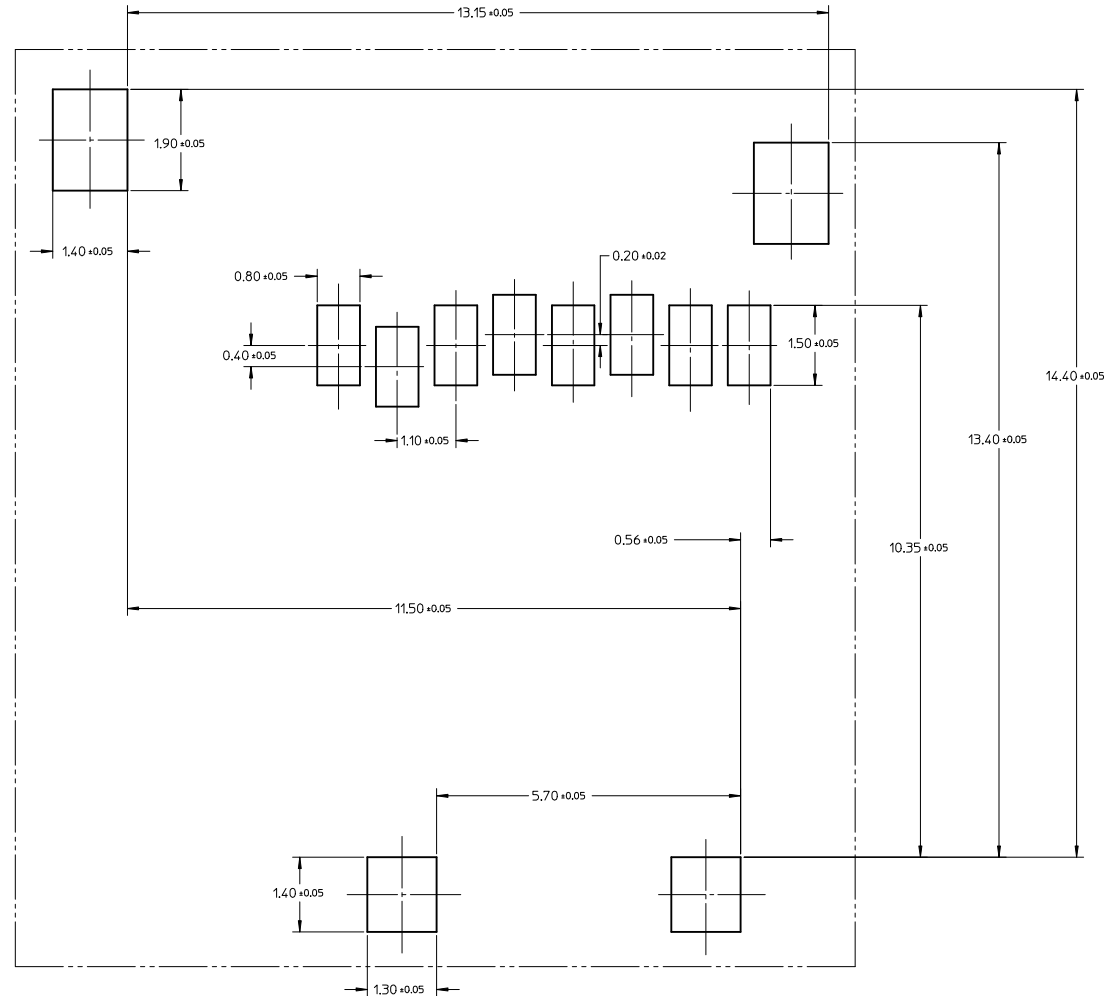
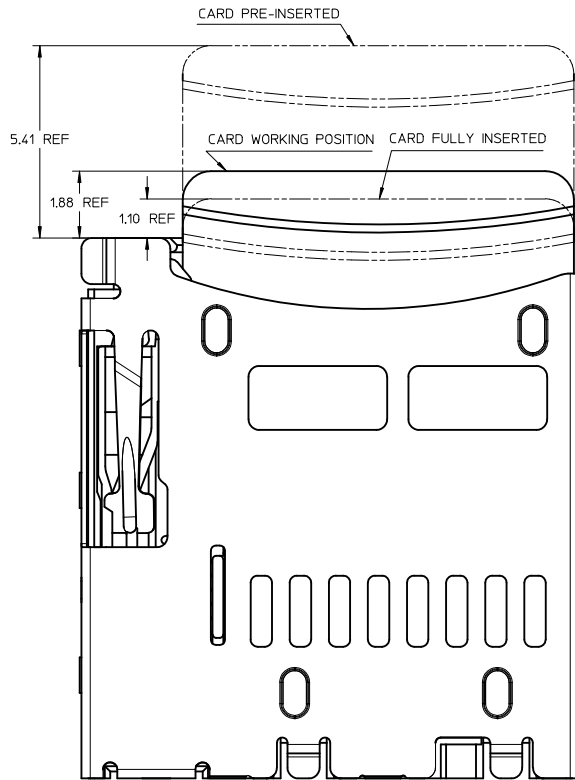
SECTION Z-Z



REVISED EC NO: SH2012-0215 DRAWN: GLLI CHKD: APPR: XJSONG 2012/01/05 2012/01/16	DESCRIPTION TFR/MICRO SD CARD READER PUSH PUSH TYPE WITHOUT DETECT PIN	QUALITY SYMBOLS ▽=0 ▽=0 ▽=0		GENERAL TOLERANCES (UNLESS SPECIFIED) <table border="1"> <thead> <tr> <th></th> <th>mm</th> <th>INCH</th> </tr> </thead> <tbody> <tr> <td>4 PLACES</td> <td>± 0.15</td> <td>± 0.006</td> </tr> <tr> <td>3 PLACES</td> <td>± 0.20</td> <td>± 0.008</td> </tr> <tr> <td>2 PLACES</td> <td>± 0.30</td> <td>± 0.012</td> </tr> <tr> <td>1 PLACE</td> <td>± 0.40</td> <td>± 0.016</td> </tr> <tr> <td colspan="2">ANGULAR</td> <td>± 3°</td> </tr> </tbody> </table>			mm	INCH	4 PLACES	± 0.15	± 0.006	3 PLACES	± 0.20	± 0.008	2 PLACES	± 0.30	± 0.012	1 PLACE	± 0.40	± 0.016	ANGULAR		± 3°	DIMENSION STYLE MM ONLY		SCALE 5:1	DESIGN UNITS METRIC	THIRD ANGLE PROJECTION
			mm	INCH																								
		4 PLACES	± 0.15	± 0.006																								
		3 PLACES	± 0.20	± 0.008																								
2 PLACES	± 0.30	± 0.012																										
1 PLACE	± 0.40	± 0.016																										
ANGULAR		± 3°																										
		DRAWN BY GLLI		DATE 2012/01/05		TITLE TFR/MICRO SD CARD READER PUSH PUSH TYPE WITHOUT DETECT PIN																						
		CHECKED BY XJSONG		DATE 2012/01/16		MOLEX INCORPORATED																						
		APPROVED BY XJSONG		DATE 2012/01/16		MATERIAL NO. 47334-0001		DOCUMENT NO. SD-47334-001	SHEET NO. 1 OF 2																			

DRAFT WHERE APPLICABLE
MUST REMAIN
WITHIN DIMENSIONS

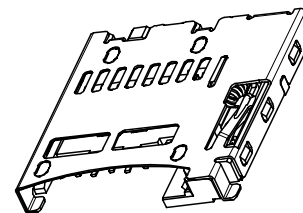
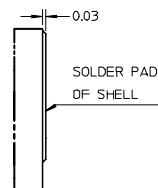
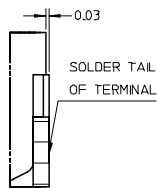
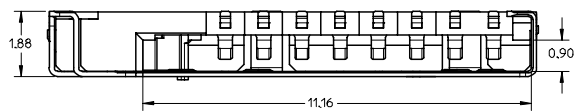
THIS DRAWING CONTAINS INFORMATION THAT IS PROPRIETARY TO MOLEX
INCORPORATED AND SHOULD NOT BE USED WITHOUT WRITTEN PERMISSION



RECOMMENDED PCB LAYOUT

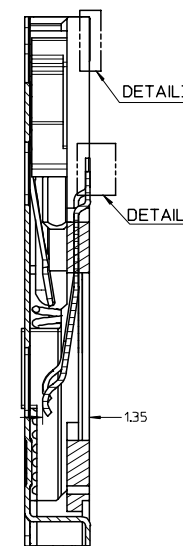
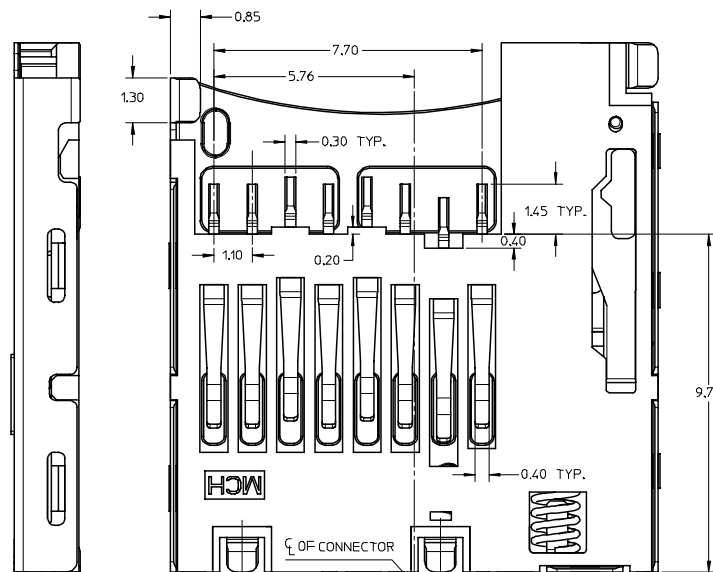
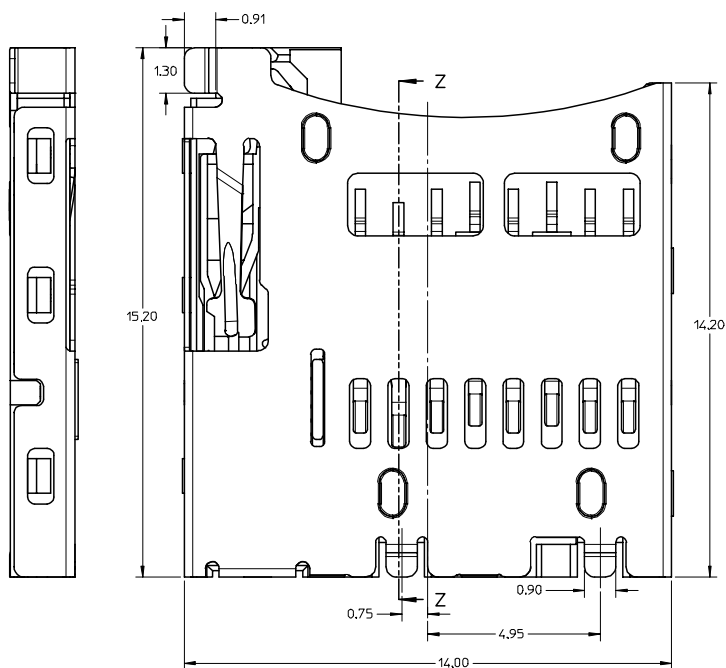
- NOTES:
- 1 MATERIAL:
 - 1-1 TERMINAL, FITTING NAIL : COPPER ALLOY.
 - 1-2 SHELL, CAM PIN, SPRING : STAINLESS STEEL.
 - 1-3 HOUSING : LCP, UL 94-V0, BLACK.
 - 1-4 CAM: NYLON 46.
 - 2 FINISH:
 - 2-1 TERMINAL : NICKEL UNDERPLATED, GOLD PLATING ON CONTACT AREA
TIN PLATING ON SOLDER TAIL
 - 2-2 SHELL : GOLD FLASH OVER NICKEL UNDERPLATED ON SOLDER PAD
 - 3 MECHANICAL SPECIFICATION:
 - REPEATED 5,000 TIMES MATING AND UNMATING CYCLES AND STILL MEET ELECTRICAL CHARACTERISTICS
 - 4 ELECTRICAL SPECIFICATION:
 - 4-1 RATED CURRENT (PER CONTACT) : 0.5AMPS MAX AND TEMPERATURE RISE SHOULD BE 30°C MAX
 - 4-2 INSULATION RESISTANCE(I.R) : 100 MEGOHMS MIN.
 - 4-3 DIELECTRIC WITHSTANDING VOLTAGE : 500 VAC
 - 4-4 CONTACT RESISTANCE: 100 MILLIOHMS MAX

REVISED EC NO: SF2012-0215 DRW:GLL CHKD: APPR:XJSONG 2012/01/05 2012/01/16	DESCRIPTION TFR/MICRO SD CARD READER PUSH PUSH TYPE WITHOUT DETECT PIN	QUALITY SYMBOLS		GENERAL TOLERANCES (UNLESS SPECIFIED)		DIMENSION STYLE		SCALE	DESIGN UNITS	THIRD ANGLE PROJECTION																																
						MM ONLY		10:1	METRIC																																	
		$\nabla=0$ $\nabla=0$ $\nabla=0$		<table border="1"> <tr> <th></th> <th>mm</th> <th>INCH</th> </tr> <tr> <td>4 PLACES</td> <td>±---</td> <td>±---</td> </tr> <tr> <td>3 PLACES</td> <td>±---</td> <td>±---</td> </tr> <tr> <td>2 PLACES</td> <td>±0.15</td> <td>±---</td> </tr> <tr> <td>1 PLACE</td> <td>±0.30</td> <td>±---</td> </tr> </table>			mm	INCH	4 PLACES	±---	±---	3 PLACES	±---	±---	2 PLACES	±0.15	±---	1 PLACE	±0.30	±---	<table border="1"> <tr> <th>DRAWN BY</th> <th>DATE</th> </tr> <tr> <td>GLLI</td> <td>2012/01/05</td> </tr> <tr> <th>CHECKED BY</th> <th>DATE</th> </tr> <tr> <td></td> <td></td> </tr> </table>		DRAWN BY	DATE	GLLI	2012/01/05	CHECKED BY	DATE			<table border="1"> <tr> <th>APPROVED BY</th> <th>DATE</th> </tr> <tr> <td>XJSONG</td> <td>2012/01/16</td> </tr> </table>		APPROVED BY	DATE	XJSONG	2012/01/16	<table border="1"> <tr> <th>TITLE</th> <th>DOCUMENT NO.</th> </tr> <tr> <td>TFR/MICRO SD CARD READER PUSH PUSH TYPE WITHOUT DETECT PIN</td> <td>SD-47334-001</td> </tr> </table>		TITLE	DOCUMENT NO.	TFR/MICRO SD CARD READER PUSH PUSH TYPE WITHOUT DETECT PIN	SD-47334-001
			mm	INCH																																						
4 PLACES	±---	±---																																								
3 PLACES	±---	±---																																								
2 PLACES	±0.15	±---																																								
1 PLACE	±0.30	±---																																								
DRAWN BY	DATE																																									
GLLI	2012/01/05																																									
CHECKED BY	DATE																																									
APPROVED BY	DATE																																									
XJSONG	2012/01/16																																									
TITLE	DOCUMENT NO.																																									
TFR/MICRO SD CARD READER PUSH PUSH TYPE WITHOUT DETECT PIN	SD-47334-001																																									
DRAFT WHERE APPLICABLE MUST REMAIN WITHIN DIMENSIONS		MATERIAL NO. 47334-0001		MOLEX INCORPORATED		SHEET NO. 2 OF 2																																				
THIS DRAWING CONTAINS INFORMATION THAT IS PROPRIETARY TO MOLEX INCORPORATED AND SHOULD NOT BE USED WITHOUT WRITTEN PERMISSION																																										

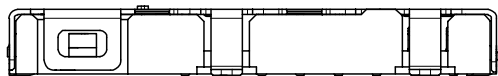


DETAIL 4

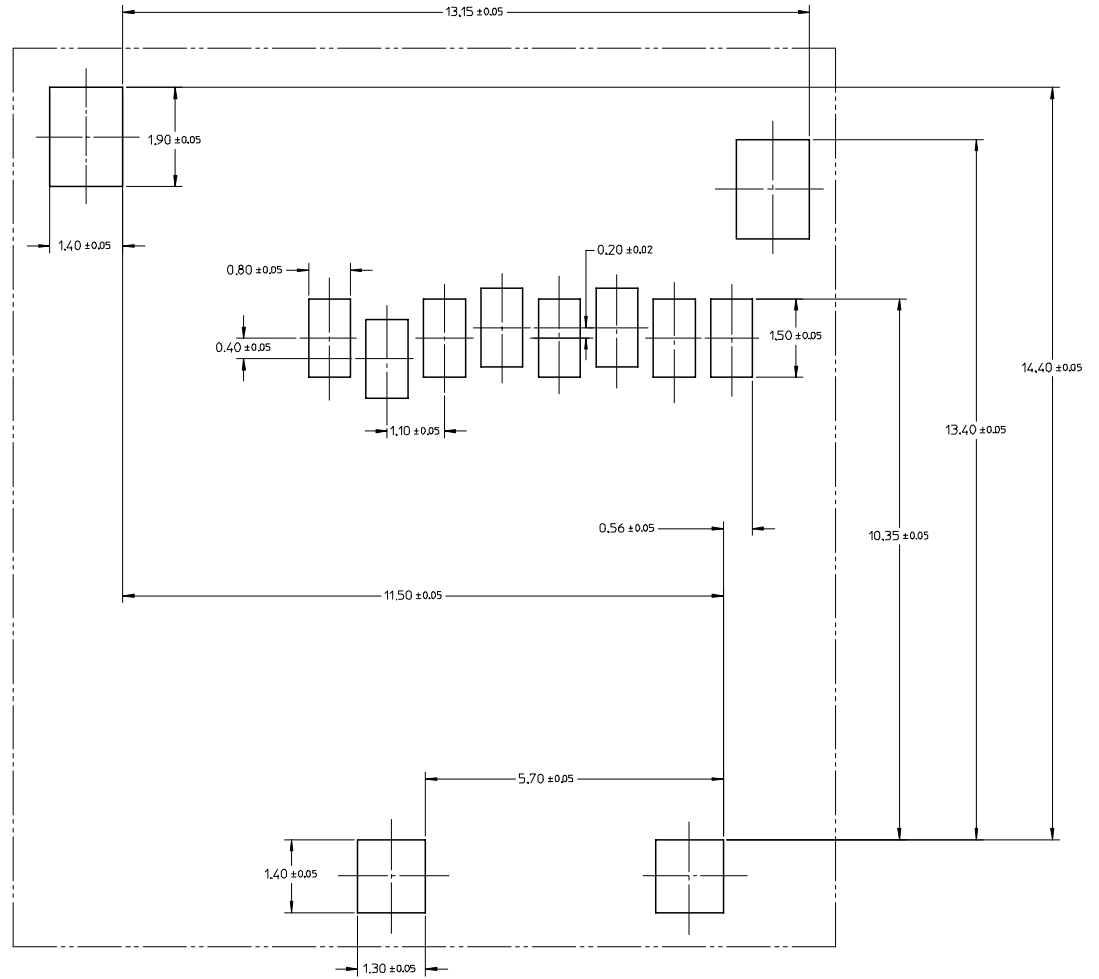
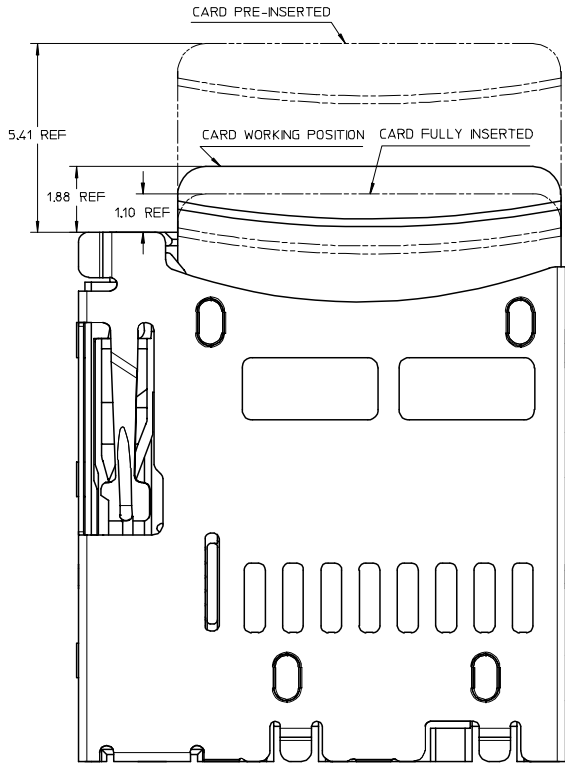
DETAIL 3



SECTION Z-Z



REVISED EEC NO.: SH2007-0499 2007/02/12 CHFKD: XU XIANG APPR: JNCHEN 2007/03/16 DESCRIPTION	QUALITY SYMBOLS ▽=0 ▽=0		GENERAL TOLERANCES (UNLESS SPECIFIED)		DIMENSION STYLE MM ONLY		SCALE 5:1	DESIGN UNITS METRIC	THIRD ANGLE PROJECTION
	4 PLACES	±	---	±	---	DRAWN BY XIXU	DATE 2006/03/25	TITLE TFR&MICRO SD CARD READER PUSH PUSH TYPE WITHOUT DETECT SWITCH MOLEX INCORPORATED	
	3 PLACES	±	---	±	---	CHECKED BY XIXU	DATE 2006/03/28		
	2 PLACES	±	0.15	±	---	APPROVED BY JNCHEN	DATE 2006/03/29		
1 PLACE	±	---	±	---	MATERIAL NO. 473340001	DOCUMENT NO. SD-47334-001			
ANGULAR ±1/2°			DRAFT WHERE APPLICABLE MUST REMAIN WITHIN DIMENSIONS		SIZE A2	THIS DRAWING CONTAINS INFORMATION THAT IS PROPRIETARY TO MOLEX INCORPORATED AND SHOULD NOT BE USED WITHOUT WRITTEN PERMISSION			



RECOMMENDED PCB LAYOUT

NOTES:

- 1 MATERIAL:
 - 1-1 TERMINAL, FITTING NAIL : COPPER ALLOY
 - 1-2 SHELL, CAM PIN, SPRING : STAINLESS STEEL
 - 1-3 HOUSING, CAM : LCP, UL 94-V0, BLACK
- 2 FINISH:
 - 2-1 TERMINAL : NICKEL UNDERPLATED, GOLD PLATING ON CONTACT AREA
TN PLATING ON SOLDER TAIL
 - 2-2 SHELL : GOLD FLASH OVER NICKEL UNDERPLATED ON SOLDER PAD
- 3 MECHANICAL SPECIFICATION:
 - REPEATED 5,000 TIMES MATING AND UNMATING CYCLES AND STILL MEET ELECTRICAL CHARACTERISTICS
- 4 ELECTRICAL SPECIFICATION:
 - 4-1 RATED CURRENT (PER CONTACT) : 0.5AMPS MAX AND TEMPERATURE RISE SHOULD BE 30°C MAX
 - 4-2 INSULATION RESISTANCE(IR) : 100 MEGOHMS MIN.
 - 4-3 DIELECTRIC WITHSTANDING VOLTAGE : 500 VAC
 - 4-4 CONTACT RESISTANCE: 100 MILLIOHMS MAX

REVISED EIC NO.: SH2007-0499 DRWN: ZHOU CHKD: XU XIANG APPR: JINCHEN 2007/02/12 2007/03/16	DESCRIPTION 2007/03/16	QUALITY SYMBOLS	GENERAL TOLERANCES (UNLESS SPECIFIED)	DIMENSION STYLE	SCALE	DESIGN UNITS	THIRD ANGLE PROJECTION	
		$\nabla=0$ $\nabla=0$	mm INCH 4 PLACES ± --- ± --- 3 PLACES ± --- ± --- 2 PLACES ± 0.15 ± --- 1 PLACE ± --- ± --- ANGULAR ± 1/2°	MM ONLY	10:1	METRIC	DRAWN BY: XIXU DATE: 2006/03/25 CHECKED BY: XIXU DATE: 2006/03/28 APPROVED BY: JNCHEN DATE: 2006/03/29	TITLE: TFR&MICRO SD CARD READER PUSH PUSH TYPE WITHOUT DETECT SWITCH MOLEX INCORPORATED
		DRAFT WHERE APPLICABLE MUST REMAIN WITHIN DIMENSIONS	MATERIAL NO.: 473340001	DOCUMENT NO.: SD-47334-001	SHEET NO.: 2 OF 2			
		SIZE: A2	THIS DRAWING CONTAINS INFORMATION THAT IS PROPRIETARY TO MOLEX INCORPORATED AND SHOULD NOT BE USED WITHOUT WRITTEN PERMISSION					