



Chipsmall Limited consists of a professional team with an average of over 10 year of expertise in the distribution of electronic components. Based in Hongkong, we have already established firm and mutual-benefit business relationships with customers from,Europe,America and south Asia,supplying obsolete and hard-to-find components to meet their specific needs.

With the principle of “Quality Parts,Customers Priority,Honest Operation,and Considerate Service”,our business mainly focus on the distribution of electronic components. Line cards we deal with include Microchip,ALPS,ROHM,Xilinx,Pulse,ON,Everlight and Freescale. Main products comprise IC,Modules,Potentiometer,IC Socket,Relay,Connector.Our parts cover such applications as commercial,industrial, and automotives areas.

We are looking forward to setting up business relationship with you and hope to provide you with the best service and solution. Let us make a better world for our industry!



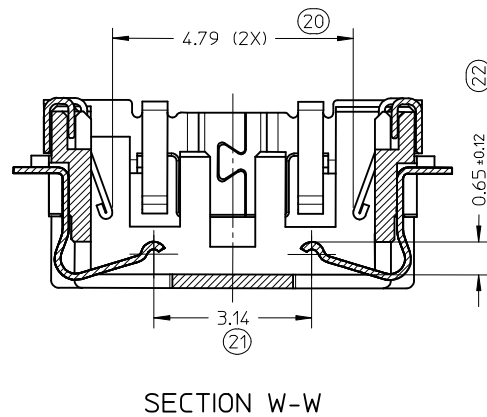
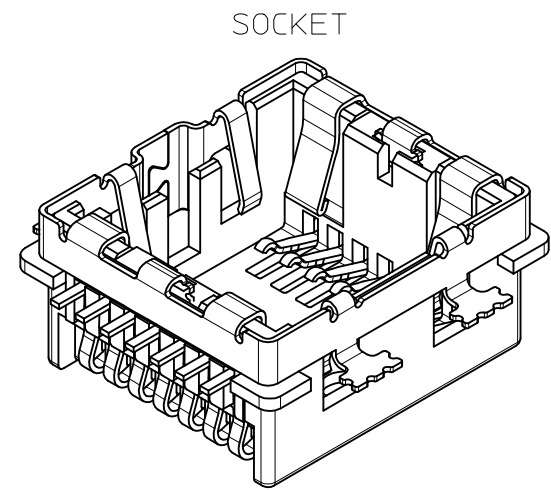
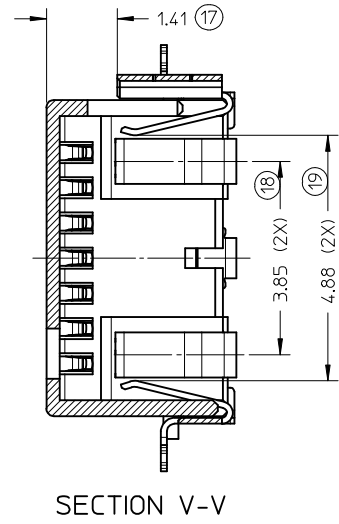
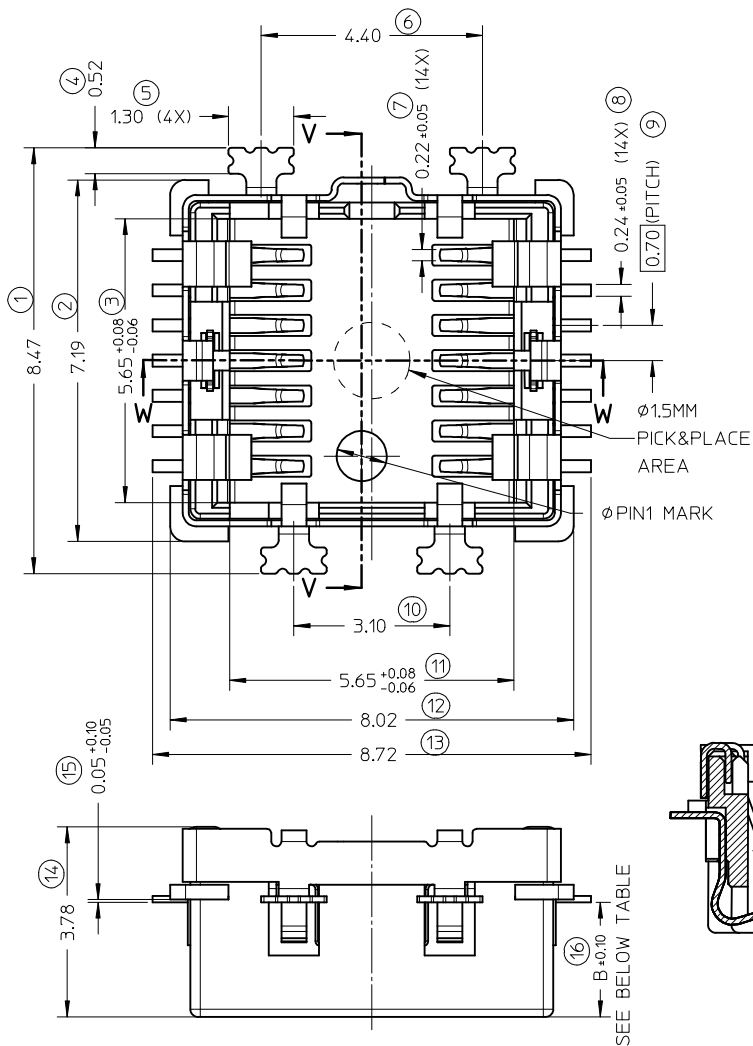
Contact us

Tel: +86-755-8981 8866 Fax: +86-755-8427 6832

Email & Skype: info@chipsmall.com Web: www.chipsmall.com

Address: A1208, Overseas Decoration Building, #122 Zhenhua RD., Futian, Shenzhen, China

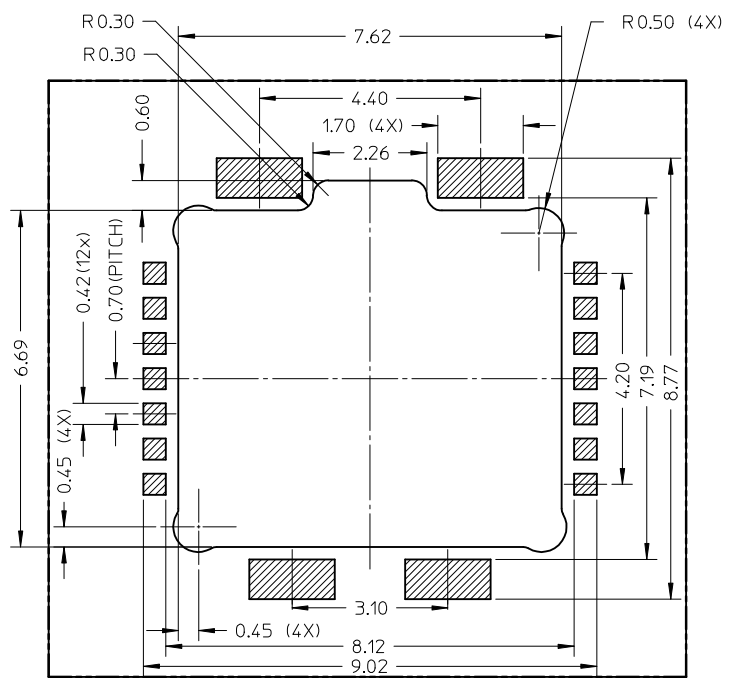




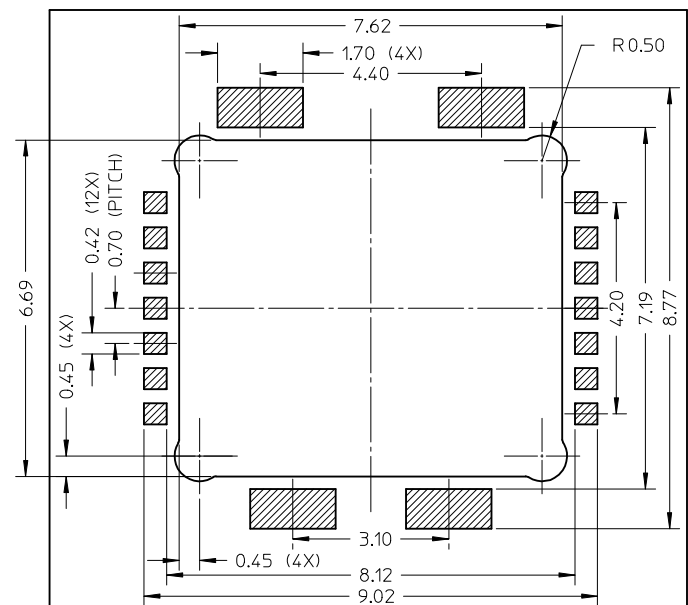
- NOTES:
- MATERIALS
HOUSING: HIGH TEMPERATURE PLASTIC, BLACK, UL94 V-0
TERMINAL: COPPER ALLOY.
SHELL: STAINLESS STEEL
 - FINISH
TERMINAL: 2-4 MICROMETER NICKEL UNDERPLATING OVERALL,
GOLD PLATING 0.3 MIN MICROMETER ON CONTACT AREA,
GOLD FLASH PLATING ON SOLDER AREA.
SHELL: 0.8 MIN MICROMETER NICKEL PLATING OVERALL
1.5 MIN MICROMETER MATTE TIN PLATING OVERALL.
 - COPLANARITY 0.08MM FOR ALL SOLDER TAILS. (23)
 - PRODUCT SPECIFICATION: PS-105200-001
 - PACKAGING: TAPE&REEL

1052000005	1.40		
1052000004	1.60	1052000009	0.60
1052000003	1.80	1052000008	0.75
1052000002	2.00	1052000007	1.00
1052000001	2.28	1052000006	1.20
PRODUCT NO.	DIM B	PRODUCT NO.	DIM B

RELEASED EC NO: SH2013-0196 DRWN:WJHUO 2012/12/18 CHKD: APPR:AYIN 2013/01/08 A	QUALITY SYMBOLS $F_A=0$ $F_C=0$ $F_P=0$	GENERAL TOLERANCES (UNLESS SPECIFIED)		DIMENSION STYLE MM ONLY	SCALE 10:1	DESIGN UNITS METRIC	THIRD ANGLE PROJECTION		
		4 PLACES ± --- ± --- 3 PLACES ± --- ± --- 2 PLACES ± 0.15 ± --- 1 PLACE ± 0.20 ± --- 0 PLACE ± --- ± ---	mm INCH ± --- ± --- ± --- ± --- ± --- ± --- ± --- ± ---	DRAWN BY WJHUO	DATE 2012/12/18	TITLE SMTA55 CAMERA SOCKET BOTTOM CONTACT			
		DRAFT WHERE APPLICABLE MUST REMAIN WITHIN DIMENSIONS		APPROVED BY AYIN	DATE 2013/01/08	MATERIAL NO. SEE TABLE			
				SIZE A3		DOCUMENT NO. SD-105200-001			
				SHEET NO. 1 OF 2					
THIS DRAWING CONTAINS INFORMATION THAT IS PROPRIETARY TO MOLEX INCORPORATED AND SHOULD NOT BE USED WITHOUT WRITTEN PERMISSION									

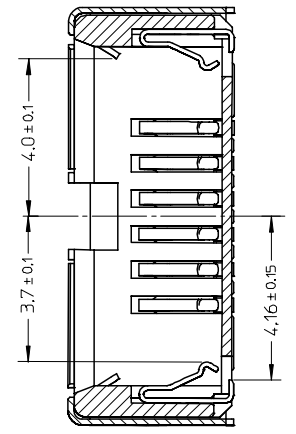
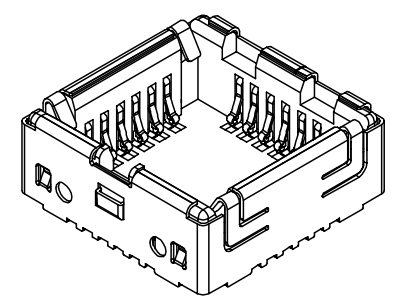
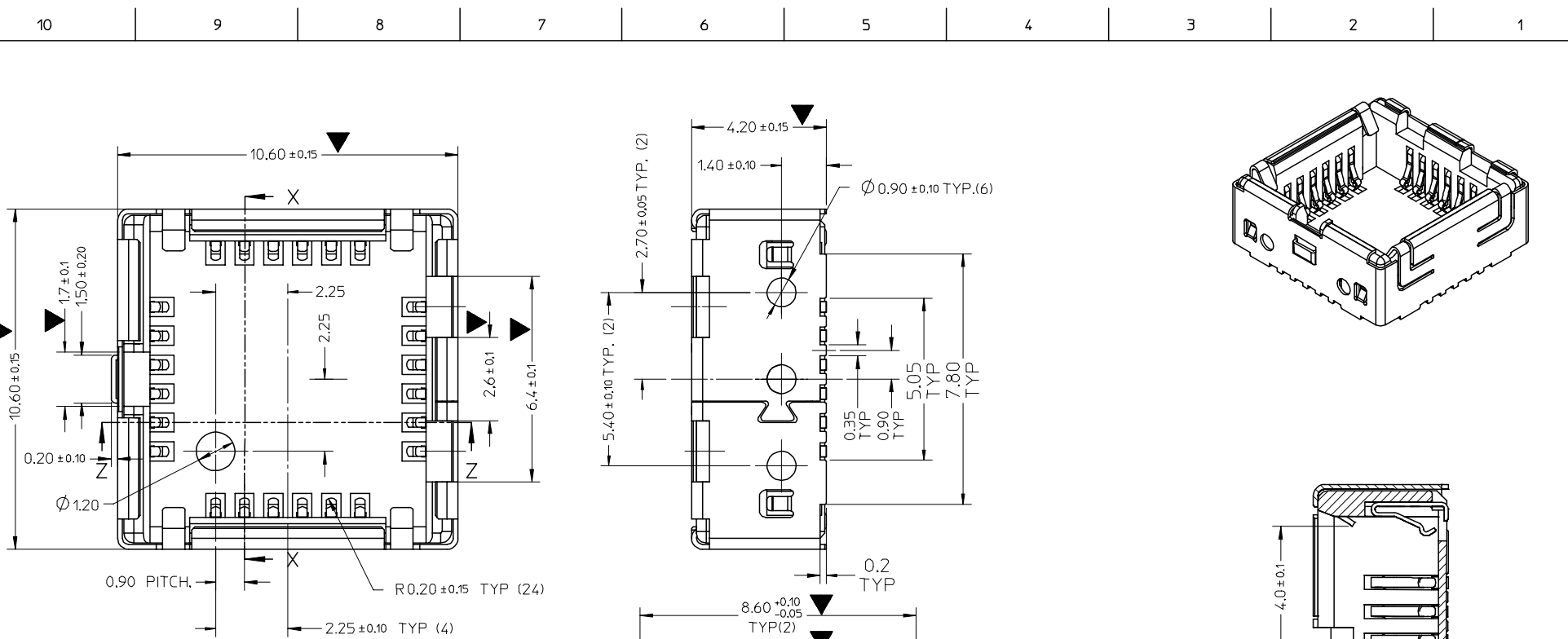


A TYPE PCB LAYOUT FOR PRODUCT NO.
 1052000001,1052000002,1052000003,
 1052000004,1052000005
 TOLERANCE:0.05mm



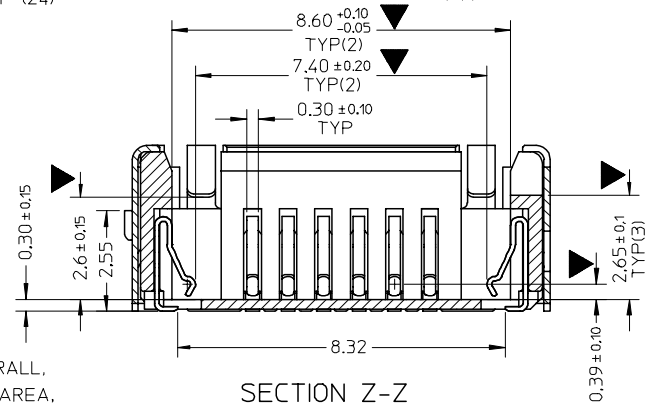
B TYPE PCB LAYOUT FOR PRODUCT NO.
 1052000006,1052000007,
 1052000008,1052000009
 TOLERANCE:0.05mm

RELEASED EC NO: SH2013-0196 DRW: WJHUO 2012/12/18 CHKD: APPR: AYIN 2013/01/08	REV DESCRIPTION	QUALITY SYMBOLS	GENERAL TOLERANCES (UNLESS SPECIFIED)		DIMENSION STYLE	SCALE	DESIGN UNITS	THIRD ANGLE PROJECTION	
		$\nabla = 0$	mm	INCH	MM ONLY	10:1	METRIC		
		$\nabla = 0$	4 PLACES ± ---	± ---	DRAWN BY	DATE	TITLE		
		$\nabla = 0$	3 PLACES ± ---	± ---	WJHUO	2012/12/18	SMIA55 CAMERA SOCKET BOTTOM CONTACT		
		2 PLACES ± 0.15	± ---	CHECKED BY	DATE				
		1 PLACE ± 0.20	± ---	APPROVED BY	DATE				MATERIAL NO. 9999999999 DOCUMENT NO. SD-105200-001 SHEET NO. 2 OF 2
		0 PLACE ± ---	± ---	ANGULAR ± 3°		THIS DRAWING CONTAINS INFORMATION THAT IS PROPRIETARY TO MOLEX INCORPORATED AND SHOULD NOT BE USED WITHOUT WRITTEN PERMISSION			
DRAFT WHERE APPLICABLE MUST REMAIN WITHIN DIMENSIONS				SIZE A3					



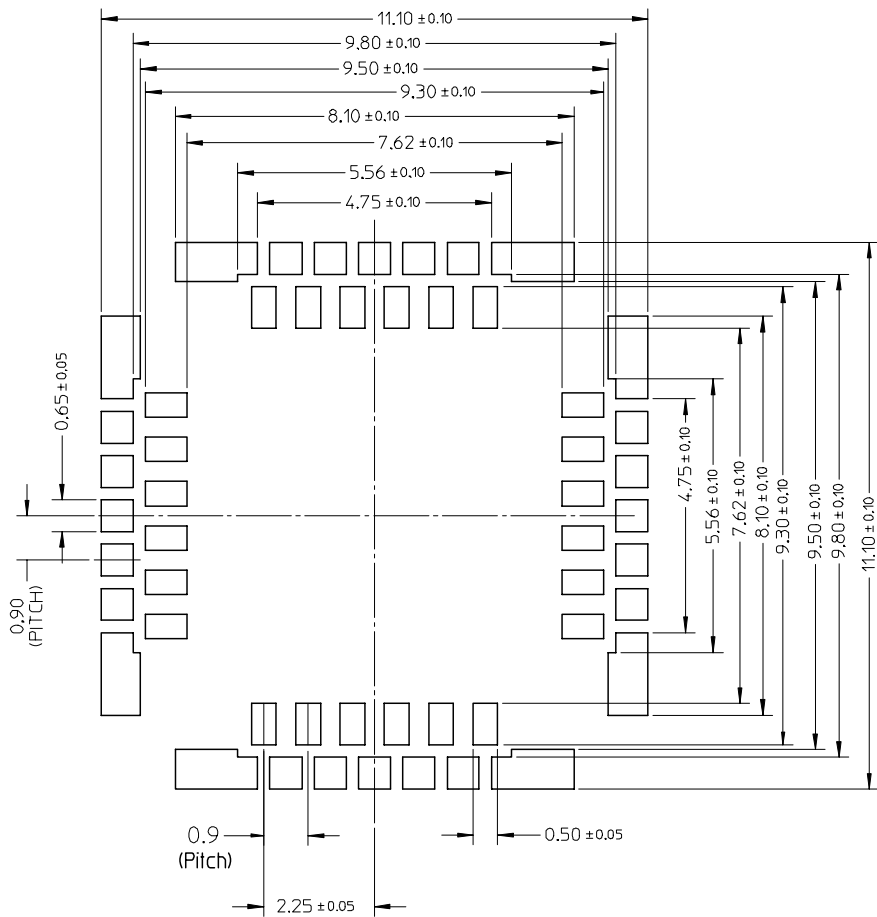
SECTION X-X

- NOTES:
- MATERIALS
 HOUSING: POLYAMIDE, BLACK, UL94 V-0
 TERMINAL: COPPER ALLOY.
 SHELL: COPPER ALLOY.
 TOP SHIELD: STAINLESS STEEL
 - FINISH
 TERMINAL: 2-4 MICROMETER NICKEL UNDERPLATING OVERALL,
 GOLD PLATING 0.3 MICROMETER ON CONTACT AREA,
 GOLD FLASH PLATING ON SOLDER AREA.
 SHELL: 2-4 MICROMETER NICKEL UNDERPLATING OVERALL,
 GOLD FLASH PLATING ON SOLDER AREA.
 - PRODUCT SPECIFICATION: PS-47337-001
 - PAKAGING: TAPE&REEL
 - COPLANALITY TO BE 0.10MM MAX.
 - APPLICABLE TOP COVER 473370005.
 - APPLICABLE CAMERA MODULE SEE SHEET 3.
 - THE DRAWING EDITION 9 WILL MEET TOM LU'S DRAWING EDITON S6



SECTION Z-Z

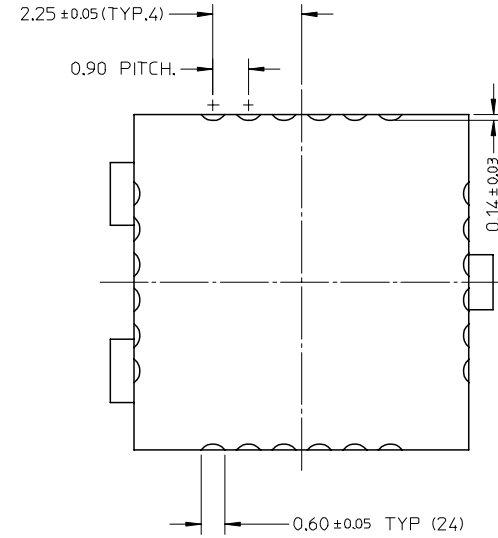
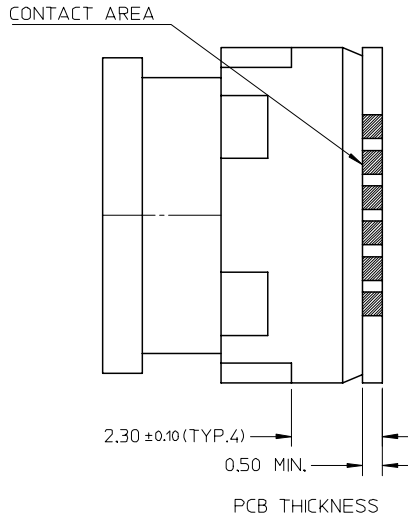
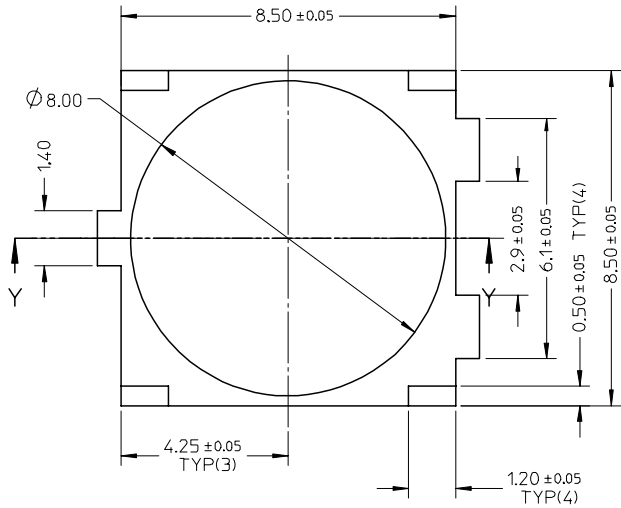
RELEASE EC NO: DRWN: IHE CHK: XIXU APPR: JNCHEN 2006/06/16 2006/06/23 2006/06/26	DESCRIPTION REV A	QUALITY SYMBOLS ▽=12 ▽=0	GENERAL TOLERANCES (UNLESS SPECIFIED)		DIMENSION STYLE MM ONLY		SCALE 8:1	DESIGN UNITS METRIC	THIRD ANGLE PROJECTION		
			mm	INCH	DRAWN BY	DATE	TITLE 8.5*8.5 CAMERA SOCKET SMT.SIDE CONTACT TYPE TOP MOUNT				
		4 PLACES	± ---	± ---	IVAN HE	2006/06/16					
		3 PLACES	± ---	± ---	CHECKED BY	DATE	MOLEX INCORPORATED				
2 PLACES	± 0.10	± ---	XIXU	2006/06/16							
1 PLACE	± 0.15	± ---	APPROVED BY	DATE	MATERIAL NO. 473370001		DOCUMENT NO. SD-47337-001	SHEET NO. 1 OF 3			
DRAFT WHERE APPLICABLE MUST REMAIN WITHIN DIMENSIONS			SIZE A3		THIS DRAWING CONTAINS INFORMATION THAT IS PROPRIETARY TO MOLEX INCORPORATED AND SHOULD NOT BE USED WITHOUT WRITTEN PERMISSION						



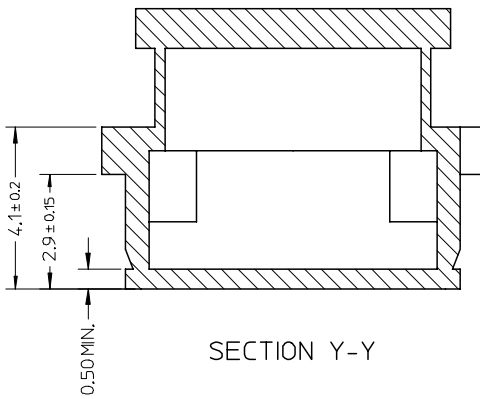
RECOMMENDED PCB LAYOUT

RELEASE EC NO: DRWN: IHE CHKD: XIXU APPR: JNCHEN 2006/06/16 2006/06/23 2006/06/26	DESCRIPTION REV	QUALITY SYMBOLS ▽=0 ◁=0	GENERAL TOLERANCES (UNLESS SPECIFIED)		DIMENSION STYLE MM ONLY	SCALE 10:1	DESIGN UNITS METRIC	THIRD ANGLE PROJECTION																
			<table border="1"> <thead> <tr> <th></th> <th>mm</th> <th>INCH</th> </tr> </thead> <tbody> <tr> <td>4 PLACES</td> <td>± ---</td> <td>± ---</td> </tr> <tr> <td>3 PLACES</td> <td>± ---</td> <td>± ---</td> </tr> <tr> <td>2 PLACES</td> <td>± 0.10</td> <td>± ---</td> </tr> <tr> <td>1 PLACE</td> <td>± 0.15</td> <td>± ---</td> </tr> </tbody> </table>		mm	INCH	4 PLACES	± ---	± ---	3 PLACES	± ---	± ---	2 PLACES	± 0.10	± ---	1 PLACE	± 0.15	± ---	DRAWN BY IVAN HE	DATE 2006/06/16	TITLE 8.5*8.5 CAMERA SOCKET SMT.SIDE CONTACT TYPE TOP MOUNT			
			mm	INCH																				
		4 PLACES	± ---	± ---																				
3 PLACES	± ---	± ---																						
2 PLACES	± 0.10	± ---																						
1 PLACE	± 0.15	± ---																						
	CHECKED BY XIXU	DATE 2006/06/16																						
		APPROVED BY JENNY CHEN	DATE 2006/06/16	MOLEX INCORPORATED																				
		DRAFT WHERE APPLICABLE MUST REMAIN WITHIN DIMENSIONS	MATERIAL NO. 47337-0001	DOCUMENT NO. SD-47337-001	SHEET NO. 2 OF 3																			

APPLIED CAMERA MODULE



FOR PCB (PTH)



SECTION Y-Y

RELEASE EC NO: 2006/06/16 DRWN: IHE 2006/06/23 CHKD: XIXU 2006/06/23 APPR: JNCHEN 2006/06/26	QUALITY SYMBOLS ▽=0 ▽C=0	GENERAL TOLERANCES (UNLESS SPECIFIED) <table border="1"> <thead> <tr> <th></th> <th>mm</th> <th>INCH</th> </tr> </thead> <tbody> <tr> <td>4 PLACES</td> <td>± ---</td> <td>± ---</td> </tr> <tr> <td>3 PLACES</td> <td>± ---</td> <td>± ---</td> </tr> <tr> <td>2 PLACES</td> <td>± 0.10</td> <td>± ---</td> </tr> <tr> <td>1 PLACE</td> <td>± 0.15</td> <td>± ---</td> </tr> </tbody> </table> ANGULAR ± 1 °		mm	INCH	4 PLACES	± ---	± ---	3 PLACES	± ---	± ---	2 PLACES	± 0.10	± ---	1 PLACE	± 0.15	± ---	DIMENSION STYLE MM ONLY	SCALE 8:1	DESIGN UNITS METRIC	THIRD ANGLE PROJECTION
		mm	INCH																		
	4 PLACES	± ---	± ---																		
	3 PLACES	± ---	± ---																		
2 PLACES	± 0.10	± ---																			
1 PLACE	± 0.15	± ---																			
DRAWN BY IVAN HE	DATE 2006/06/16	TITLE 8.5*8.5 CAMERA SOCKET SMT.SIDE CONTACT TYPE TOP MOUNT		MOLEX INCORPORATED																	
CHECKED BY XIXU	DATE 2006/06/16	APPROVED BY JENNY CHEN		DATE 2006/06/16	MOLEX INCORPORATED																
MATERIAL NO. 47337-0001	DOCUMENT NO. SD-47337-001		SHEET NO. 3 OF 3																		

DRAFT WHERE APPLICABLE
MUST REMAIN
WITHIN DIMENSIONS

THIS DRAWING CONTAINS INFORMATION THAT IS PROPRIETARY TO MOLEX INCORPORATED AND SHOULD NOT BE USED WITHOUT WRITTEN PERMISSION