



Chipsmall Limited consists of a professional team with an average of over 10 year of expertise in the distribution of electronic components. Based in Hongkong, we have already established firm and mutual-benefit business relationships with customers from,Europe,America and south Asia,supplying obsolete and hard-to-find components to meet their specific needs.

With the principle of “Quality Parts,Customers Priority,Honest Operation,and Considerate Service”,our business mainly focus on the distribution of electronic components. Line cards we deal with include Microchip,ALPS,ROHM,Xilinx,Pulse,ON,Everlight and Freescale. Main products comprise IC,Modules,Potentiometer,IC Socket,Relay,Connector.Our parts cover such applications as commercial,industrial, and automotives areas.

We are looking forward to setting up business relationship with you and hope to provide you with the best service and solution. Let us make a better world for our industry!



Contact us

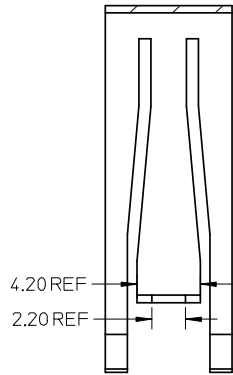
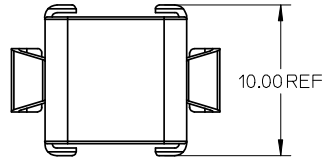
Tel: +86-755-8981 8866 Fax: +86-755-8427 6832

Email & Skype: info@chipsmall.com Web: www.chipsmall.com

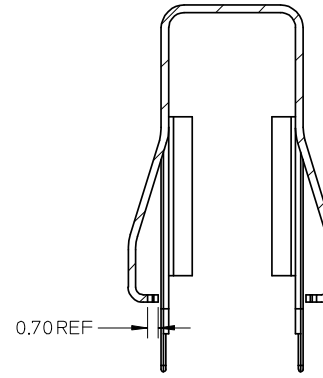
Address: A1208, Overseas Decoration Building, #122 Zhenhua RD., Futian, Shenzhen, China



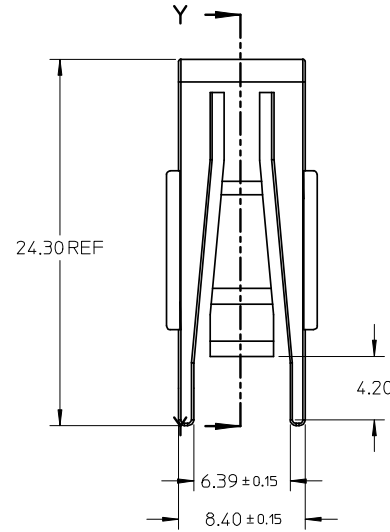
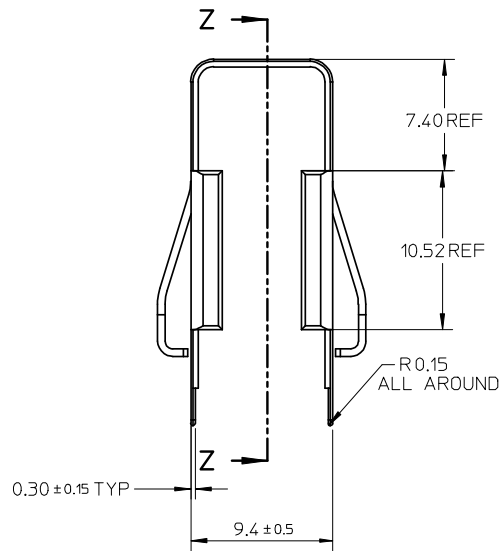
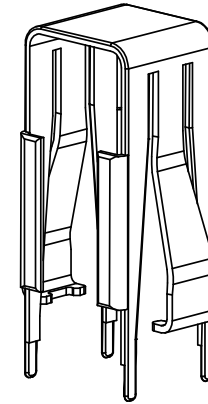
10 9 8 7 6 5 4 3 2 1



SECTION Z-Z



SECTION Y-Y



NOTE:

- 1.MATERIAL: 0.5MM STAINLESS STEEL SUS301.
- 2.FINISH: NON-PLATING.
- 3.COMPLIANT TO RoHS DIRECTIVE 200/95/EC AND ELV 2000/53/EC

NEW RELEASE EC NO: SHZ008-04Z1 DRW:MSH CHKD:YLZHU APPR:HWANG	2008/02/22 2008/02/26 2008/03/20	DESCRIPTION REV	QUALITY SYMBOLS	GENERAL TOLERANCES (UNLESS SPECIFIED)	DIMENSION STYLE	SCALE	DESIGN UNITS	THIRD ANGLE PROJECTION
			$\nabla = 0$ $\square = 0$	mm INCH 4 PLACES ± --- ± --- 3 PLACES ± --- ± --- 2 PLACES ± 0.25 ± --- 1 PLACE ± 0.25 ± --- ANGULAR ± 3 °	MM ONLY	8:1	METRIC	TITLE EXTRACTOR FOR 8.5X8.5 CAMERA SOCKET MOLEX INCORPORATED DOCUMENT NO. SD-47337-007 SHEET NO. 1 OF 1
				DRAFT WHERE APPLICABLE MUST REMAIN WITHIN DIMENSIONS	DRAWN BY: IHE DATE: 2006/08/28 CHECKED BY: YLZHU DATE: 2007/10/31 APPROVED BY: HWANG DATE: 2007/10/31			
					MATERIAL NO. 473370007 SIZE A3 THIS DRAWING CONTAINS INFORMATION THAT IS PROPRIETARY TO MOLEX INCORPORATED AND SHOULD NOT BE USED WITHOUT WRITTEN PERMISSION			

9 8 7 6 5 4 3 2 1