



Chipsmall Limited consists of a professional team with an average of over 10 year of expertise in the distribution of electronic components. Based in Hongkong, we have already established firm and mutual-benefit business relationships with customers from,Europe,America and south Asia,supplying obsolete and hard-to-find components to meet their specific needs.

With the principle of “Quality Parts,Customers Priority,Honest Operation,and Considerate Service”,our business mainly focus on the distribution of electronic components. Line cards we deal with include Microchip,ALPS,ROHM,Xilinx,Pulse,ON,Everlight and Freescale. Main products comprise IC,Modules,Potentiometer,IC Socket,Relay,Connector.Our parts cover such applications as commercial,industrial, and automotives areas.

We are looking forward to setting up business relationship with you and hope to provide you with the best service and solution. Let us make a better world for our industry!



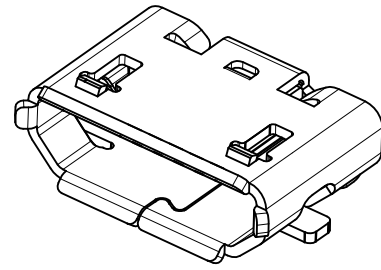
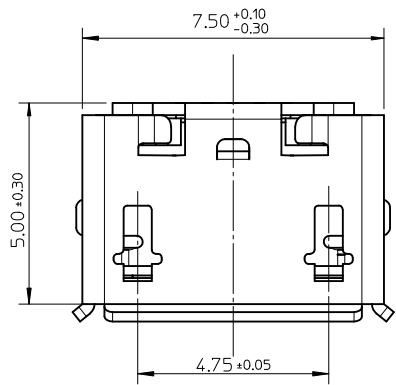
## Contact us

Tel: +86-755-8981 8866 Fax: +86-755-8427 6832

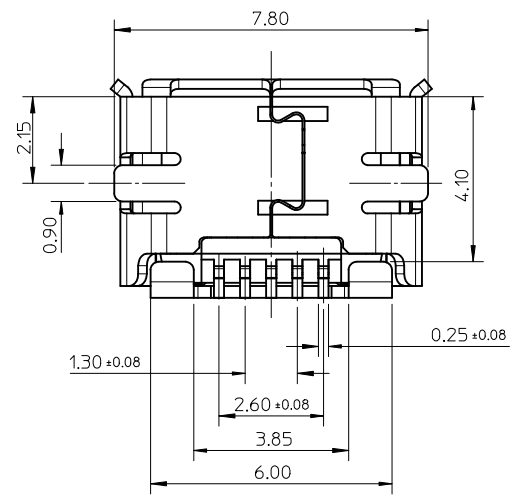
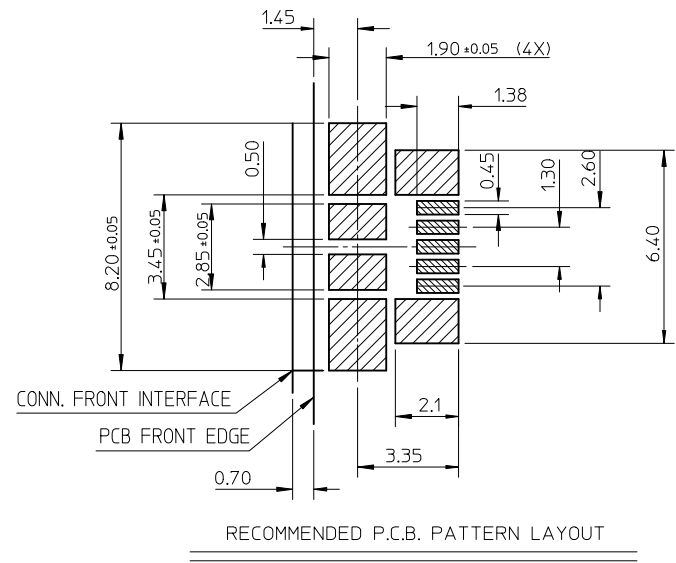
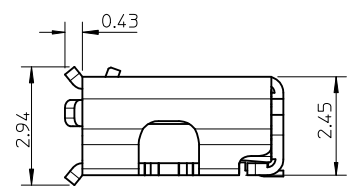
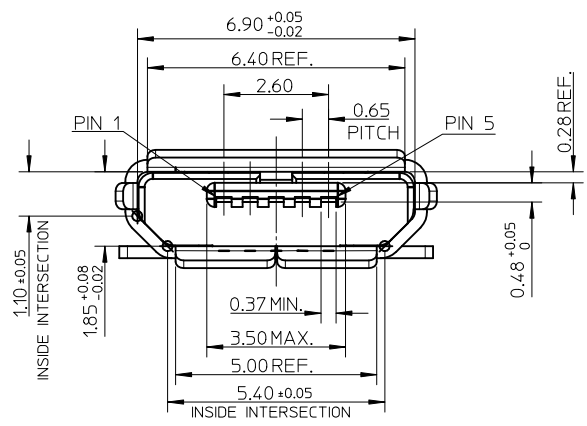
Email & Skype: info@chipsmall.com Web: www.chipsmall.com

Address: A1208, Overseas Decoration Building, #122 Zhenhua RD., Futian, Shenzhen, China

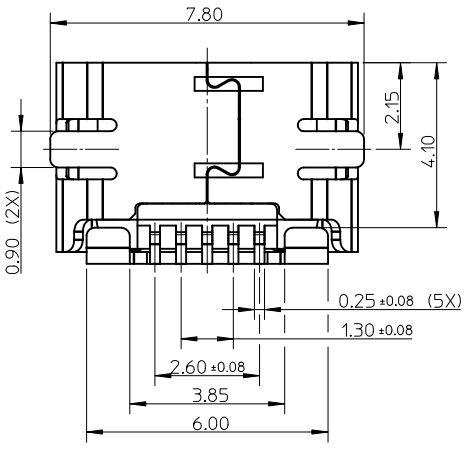
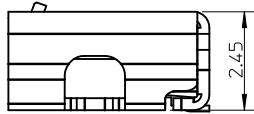
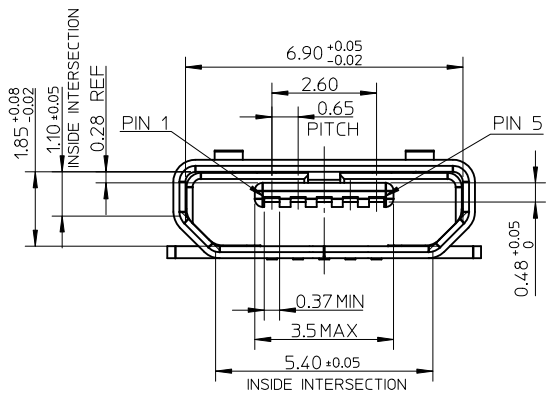
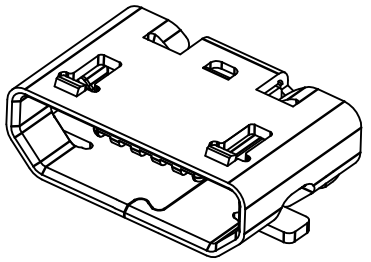
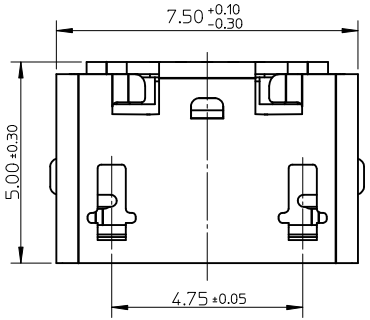




- NOTES:
- MATERIAL:
    - HOUSING: LCP, BLACK, UL94V-0;
    - TERMINAL: COPPER ALLOY, THICKNESS: 0.15mm;
    - SHELL: STAINLESS STEEL, THICKNESS: 0.30mm.
  - PLATING:
    - TERMINAL:
      - CONTACT AREA: GOLD FLASH OVER MINIMUM 0.75MICRON Pd/Ni;
      - SOLDER TAIL AREA: GOLD FLASH;
      - UNDER PLATING: NICKEL 2.0MICRON MINIMUM.
    - SHELL:
      - MATTE TIN 3.8MICRON MINIMUM;
      - UNDER PLATING: NICKEL 1.27MICRON MINIMUM.
  - TAIL & NAIL COPLANARITY 0.08mm MAXIMUM.
  - PRODUCT SPECIFICATION: PS-47346-001.
  - PACKAGE SPECIFICATION: PK-47346-001.
  - COMPLIANT TO RoHS DIRECTIVE 2002/95/EC AND ELV 2000/53/EC.



ADD PART NUMBER EC NO: SH2012-0250 DRWN: XQZHANG 2012/03/13 CH'KD: XQZHANG 2012/03/30 APPR: AYTN 2012/04/10	QUALITY SYMBOLS $\nabla_{\text{F}}=0$ $\nabla_{\text{F}}=0$ $\nabla_{\text{F}}=0$	GENERAL TOLERANCES (UNLESS SPECIFIED)		DIMENSION STYLE MM ONLY		SCALE 8:1	DESIGN UNITS METRIC	THIRD ANGLE PROJECTION		
		4 PLACES $\pm$ --- $\pm$ ---	3 PLACES $\pm$ --- $\pm$ ---	2 PLACES $\pm$ 0.25 $\pm$ ---	1 PLACE $\pm$ 0.25 $\pm$ ---	0 PLACE $\pm$ $\pm$	DRAWN BY XJSONG	DATE 2006/12/11	TITLE MICRO USB B REC. BOTTOM MOUNT ASS'Y	
		ANGULAR $\pm$ 3°		MATERIAL NO. 47346-0001		DOCUMENT NO. SD-47346-001		SHEET NO. 1 OF 2		
		DRAFT WHERE APPLICABLE MUST REMAIN WITHIN DIMENSIONS		THIS DRAWING CONTAINS INFORMATION THAT IS PROPRIETARY TO MOLEX INCORPORATED AND SHOULD NOT BE USED WITHOUT WRITTEN PERMISSION						



SEE SHEET 1 EC NO: SH2012-0250 DRWN: XQZHANG 2012/03/13 CHKD: XQZHANG 2012/03/30 APPR: AYTN 2012/04/10	REV	DESCRIPTION	QUALITY SYMBOLS	GENERAL TOLERANCES (UNLESS SPECIFIED)	DIMENSION STYLE	SCALE	DESIGN UNITS	THIRD ANGLE PROJECTION		
					MM ONLY	8:1	METRIC			
			▽ <sub>F</sub> =0	mm INCH	DRAWN BY	DATE	TITLE			
			▽ <sub>F</sub> =0	4 PLACES ± --- ± ---	XJSONG	2006/12/11				
			▽ <sub>F</sub> =0	3 PLACES ± --- ± ---	CHECKED BY	DATE				
				2 PLACES ± 0.25 ± ---	IWANG	2006/12/11				
				1 PLACE ± 0.25 ± ---	APPROVED BY	DATE				
				0 PLACE ± ±	JNCHEN	2006/12/11				
				ANGULAR ± 3°	MATERIAL NO.	DOCUMENT NO.				
				DRAFT WHERE APPLICABLE MUST REMAIN WITHIN DIMENSIONS	47346-1001	SD-47346-001				
					SIZE A3	THIS DRAWING CONTAINS INFORMATION THAT IS PROPRIETARY TO MOLEX INCORPORATED AND SHOULD NOT BE USED WITHOUT WRITTEN PERMISSION				

MICRO USB B REC.  
BOTTOM MOUNT ASS'Y  
FLANGELESS TYPE

