



Chipsmall Limited consists of a professional team with an average of over 10 year of expertise in the distribution of electronic components. Based in Hongkong, we have already established firm and mutual-benefit business relationships with customers from,Europe,America and south Asia,supplying obsolete and hard-to-find components to meet their specific needs.

With the principle of “Quality Parts,Customers Priority,Honest Operation,and Considerate Service”,our business mainly focus on the distribution of electronic components. Line cards we deal with include Microchip,ALPS,ROHM,Xilinx,Pulse,ON,Everlight and Freescale. Main products comprise IC,Modules,Potentiometer,IC Socket,Relay,Connector.Our parts cover such applications as commercial,industrial, and automotives areas.

We are looking forward to setting up business relationship with you and hope to provide you with the best service and solution. Let us make a better world for our industry!



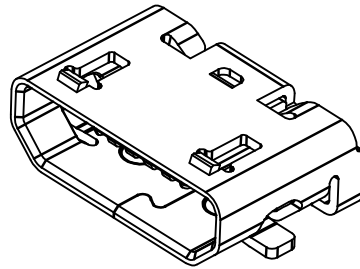
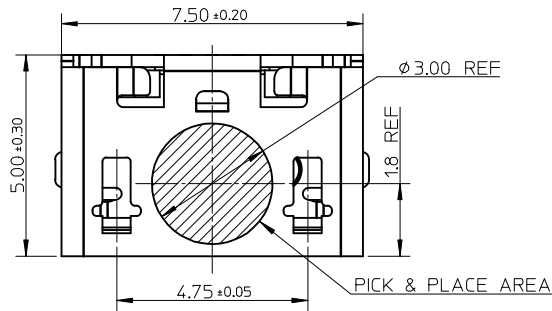
Contact us

Tel: +86-755-8981 8866 Fax: +86-755-8427 6832

Email & Skype: info@chipsmall.com Web: www.chipsmall.com

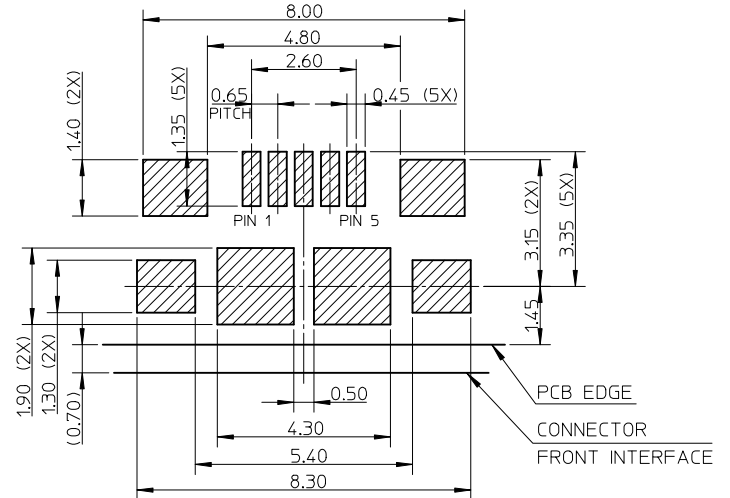
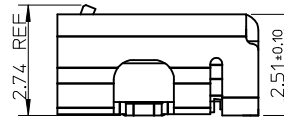
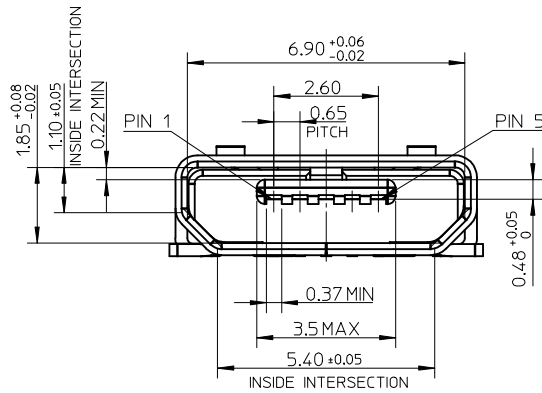
Address: A1208, Overseas Decoration Building, #122 Zhenhua RD., Futian, Shenzhen, China



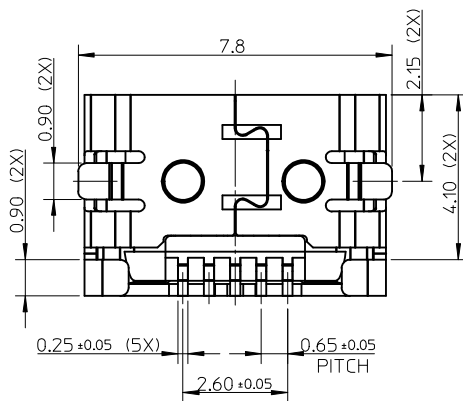


NOTES:

- MATERIAL:
 - HOUSING: LCP, BLACK, UL94V-0;
 - TERMINAL: COPPER ALLOY, THICKNESS: 0.15mm;
 - SHELL: STAINLESS STEEL, THICKNESS: 0.30mm.
- PLATING:
 - TERMINAL:
 - CONTACT AREA: GOLD FLASH OVER 0.75 MICRON MINIMUM Pd/Ni;
 - SOLDER TAIL AREA: GOLD FLASH;
 - UNDER PLATING: NICKEL 2.0MICRON MINIMUM.
 - SHELL:
 - MATTE TIN 2.0MICRON MINIMUM;
 - UNDER PLATING: NICKEL 1.27MICRON MINIMUM.
- TAIL & NAIL COPLANARITY 0.08mm MAXIMUM.
- PRODUCT SPECIFICATION: PS-47642-001.
- PACKAGE SPECIFICATION: PK-47346-002.
- COMPLIANT TO RoHS DIRECTIVE 2002/95/EC AND ELV 2000/53/EC.



RECOMMENDED P.C.B. PATTERN LAYOUT
GENERAL TOLERANCE: ±0.05



5	GND
4	ID
3	D+
2	D-
1	VBUS
PIN	NAME
PIN ASSIGNMENT	

ADD PIN ASSIGNMENT EC NO: SH2014-0449 DRWN: XQZHANG 2014/04/24 CH'KD: XQZHANG 2014/04/24 APPR: AYIN 2014/06/06	QUALITY SYMBOLS F=0 F=0 F=0	GENERAL TOLERANCES (UNLESS SPECIFIED)		DIMENSION STYLE MM ONLY		SCALE 1:1	DESIGN UNITS METRIC	THIRD ANGLE PROJECTION		
		4 PLACES ± --- ± ---	DRAWN BY XQZHANG	DATE 2013/11/08	TITLE SALES DRAWING FOR USB MICRO-B, BOTTOM MOUNT FLANGELESS TYPE					
		3 PLACES ± --- ± ---	CHECKED BY XQZHANG	DATE 2013/11/08	APPROVED BY AYIN					
		2 PLACES ± 0.15 ± ---	APPROVED BY AYIN	DATE 2013/11/25	MATERIAL NO. 47346-1015					
1 PLACE ± 0.25 ± ---	DRAFT WHERE APPLICABLE MUST REMAIN WITHIN DIMENSIONS		MATERIAL NO. 47346-1015		DOCUMENT NO. SD-47346-115		SHEET NO. 1 OF 1			
0 PLACE ± --- ± ---	ANGULAR ± 3°		THIS DRAWING CONTAINS INFORMATION THAT IS PROPRIETARY TO MOLEX INCORPORATED AND SHOULD NOT BE USED WITHOUT WRITTEN PERMISSION							