



Chipsmall Limited consists of a professional team with an average of over 10 year of expertise in the distribution of electronic components. Based in Hongkong, we have already established firm and mutual-benefit business relationships with customers from,Europe,America and south Asia,supplying obsolete and hard-to-find components to meet their specific needs.

With the principle of “Quality Parts,Customers Priority,Honest Operation,and Considerate Service”,our business mainly focus on the distribution of electronic components. Line cards we deal with include Microchip,ALPS,ROHM,Xilinx,Pulse,ON,Everlight and Freescale. Main products comprise IC,Modules,Potentiometer,IC Socket,Relay,Connector.Our parts cover such applications as commercial,industrial, and automotives areas.

We are looking forward to setting up business relationship with you and hope to provide you with the best service and solution. Let us make a better world for our industry!



## Contact us

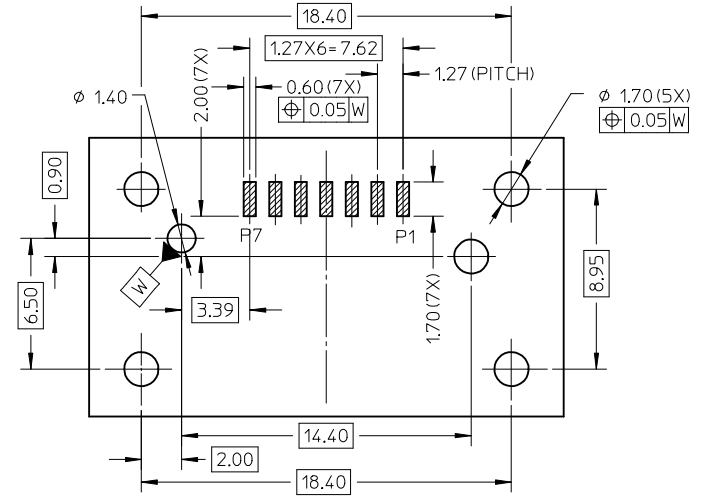
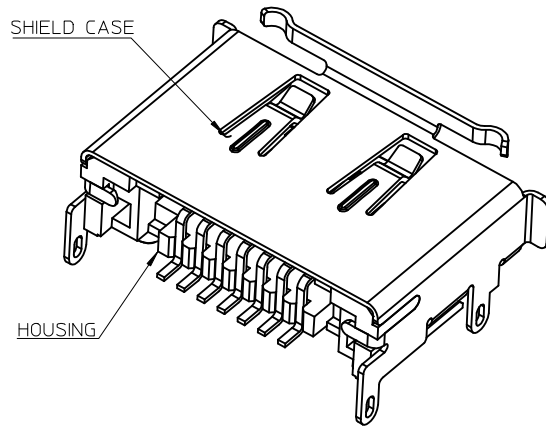
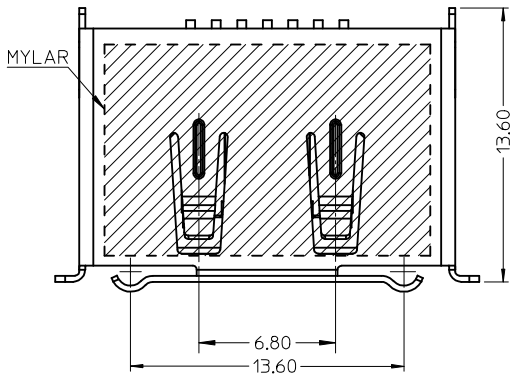
Tel: +86-755-8981 8866 Fax: +86-755-8427 6832

Email & Skype: info@chipsmall.com Web: www.chipsmall.com

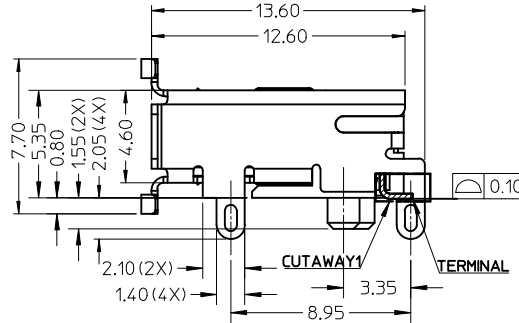
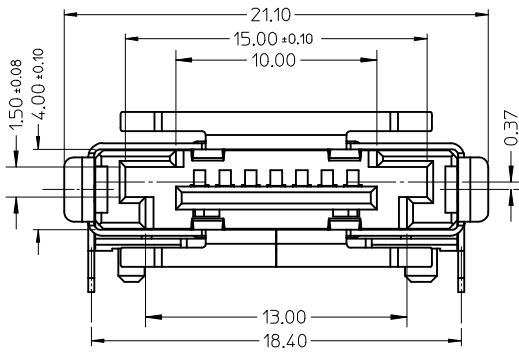
Address: A1208, Overseas Decoration Building, #122 Zhenhua RD., Futian, Shenzhen, China



10 9 8 7 6 5 4 3 2 1



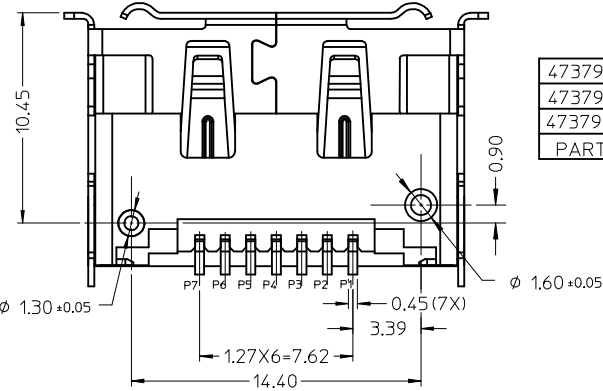
RECOMMEND PCB LAYOUT (CONNECTOR SIDE)  
THICKNESS=1.30 (ALL TOLERANCE: +/-0.05)



NOTES:

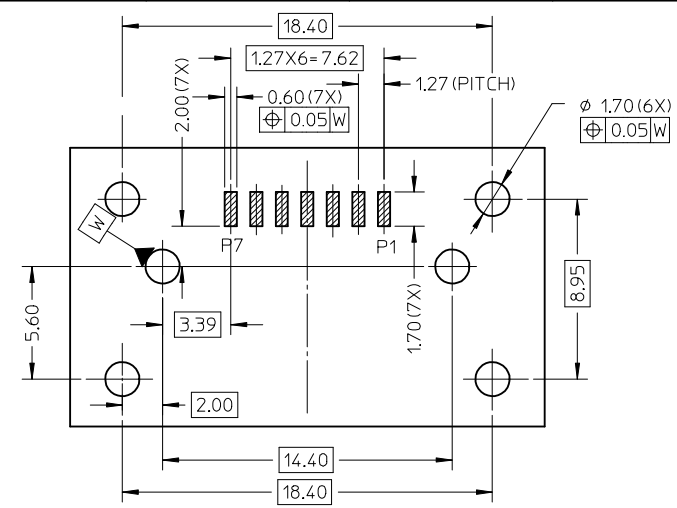
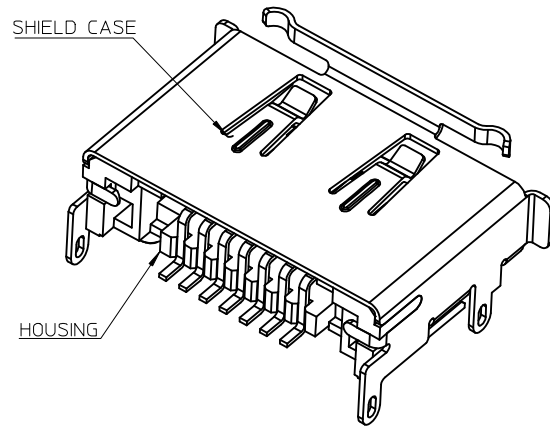
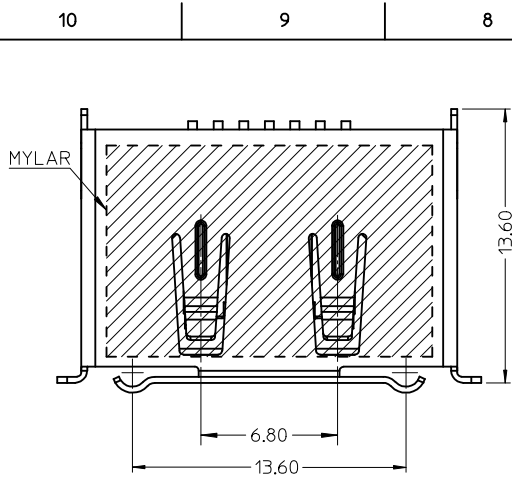
- MATERIAL:  
HOUSING: THERMAL PLASTIC. COLOR: BLACK, UL94V-0.  
SHIELD CASE: COPPER ALLOY.  
TERMIANL: COPPER ALLOY.
- PLATING:  
SHIELD CASE: 100~200µ SOLDERABLE NICKEL OVER ALL.  
TERMINAL: CONTACT AREA GOLD PLATING (SEE CHART) AND SOLDER TAIL 50~100µ TIN ALLOY PLATING OVER 50µ MIN. NICKEL.
- PRODUCT SPEC REFER TO PS-47082-001.
- PACKAGE SPEC REFER TO PK-47379-001.
- PRODUCT MEET STANDARD 1.0 REVISION OF THE SERIAL ATA II: CABLE AND CONNECTOR VOL 2 SPECIFICATION.
- PRODUCT COMPLIANT TO RoHS DIRECTIVE 2002/95/EC AND ELV 2000/53/EC.

47379-2000	TERMINAL CONTACT AREA PLATED 30µ GOLD
47379-1000	TERMINAL CONTACT AREA PLATED 15µ GOLD
47379-0000	TERMINAL CONTACT AREA PLATED GOLD FLASH
PART NO.	DESCRIPTION

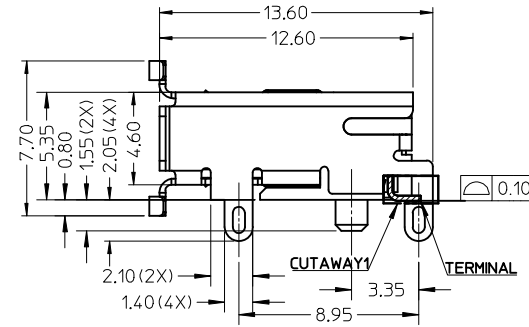
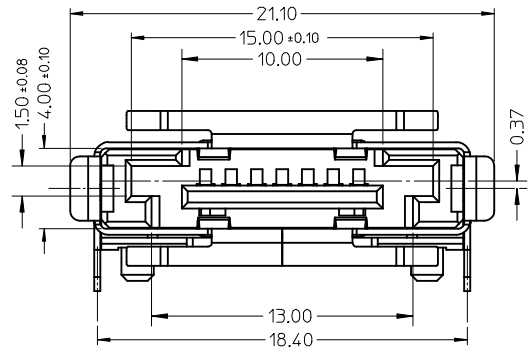


REVISED	EC NO: 2007/04/30	QUALITY SYMBOLS ▽=0 ◁=0	GENERAL TOLERANCES (UNLESS SPECIFIED)		DIMENSION STYLE	SCALE	DESIGN UNITS	THIRD ANGLE PROJECTION
	DRW: GLLI		mm	INCH	MM ONLY	1:1	METRIC	
	CHKD: 2007/05/04		4 PLACES ± --- ± ---	3 PLACES ± --- ± ---	DRAWN BY	DATE	TITLE	
	APPR: JINCHEN		2 PLACES ± 0.2 ± ---	1 PLACE ± 0.25 ± ---	DIXON LI	2005/12/23	EXTERNAL SATA PLUG SMT WITH SHELL TOP MOUNT TYPE	
REV	DESCRIPTION	ANGULAR ± 3 °	DRAFT WHERE APPLICABLE MUST REMAIN WITHIN DIMENSIONS		APPROVED BY	DATE	MOLEX INCORPORATED	
D	2007/05/09				GRATE MA	2005/12/23	SD-47379-100	
					MATERIAL NO.		DOCUMENT NO.	
					SIZE	THIS DRAWING CONTAINS INFORMATION THAT IS PROPRIETARY TO MOLEX INCORPORATED AND SHOULD NOT BE USED WITHOUT WRITTEN PERMISSION		
					A3	SHEET NO. 1 OF 3		

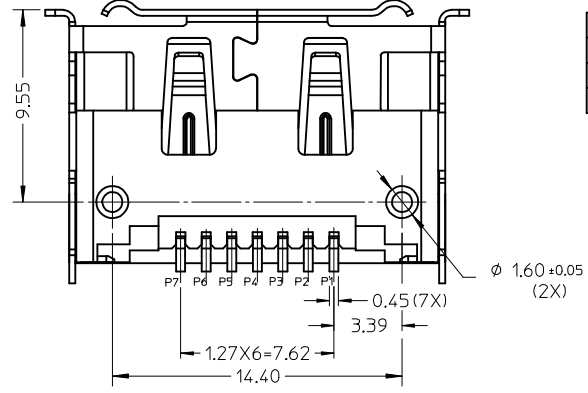
9 8 7 6 5 4 3 2 1



RECOMMEND PCB LAYOUT (CONNECTOR SIDE)  
THICKNESS=1.30 (ALL TOLERANCE: +/-0.05)



47379-2100	TERMINAL CONTACT AREA PLATED 30μ GOLD
47379-1100	TERMINAL CONTACT AREA PLATED 15μ GOLD
47379-0100	TERMINAL CONTACT AREA PLATED GOLD FLASH
PART NO.	DESCRIPTION



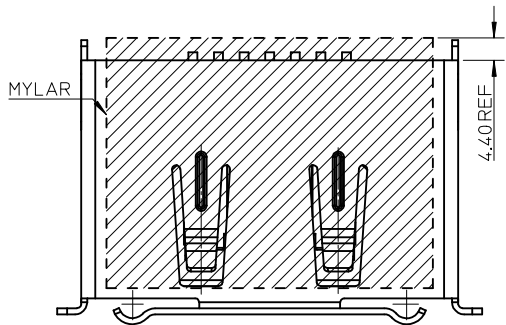
REVISED	EC NO:	2007/04/30
	DRWNG:GLL	2007/05/04
	CHKD:	2007/05/04
	APPR: JINCHEN	2007/05/09
REV	DESCRIPTION	

QUALITY SYMBOLS	▽=0
	∇=0
	4 PLACES ± --- ± ---
	3 PLACES ± --- ± ---
	2 PLACES ± 0.2 ± ---
1 PLACE ± 0.25 ± ---	
ANGULAR ± 3 °	
DRAFT WHERE APPLICABLE MUST REMAIN WITHIN DIMENSIONS	

GENERAL TOLERANCES (UNLESS SPECIFIED)	
mm	INCH
4 PLACES ± --- ± ---	
3 PLACES ± --- ± ---	
2 PLACES ± 0.2 ± ---	
1 PLACE ± 0.25 ± ---	
ANGULAR ± 3 °	

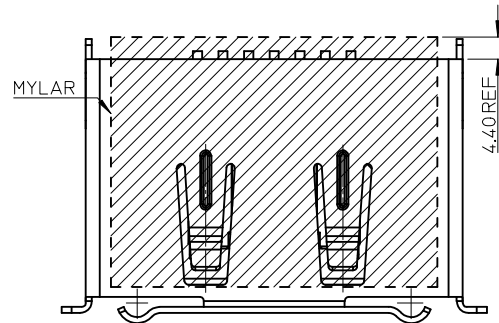
DIMENSION STYLE	SCALE	DESIGN UNITS	THIRD ANGLE PROJECTION
MM ONLY	1:1	METRIC	
DRAWN BY	DATE	TITLE	
DIXON LI	2005/12/23	EXTERNAL SATA PLUG	
CHECKED BY	DATE	SMT WITH SHELL	
JENNY ZENG	2005/12/23	TOP MOUNT TYPE	
APPROVED BY	DATE	MOLEX INCORPORATED	
GRATE MA	2005/12/23	SD-47379-100	
MATERIAL NO.	DOCUMENT NO.	SHEET NO.	
SEE CHART		2 OF 3	

10 9 8 7 6 5 4 3 2 1



ALL DIMENSION REFER TO SHEET 1.

47379-2010	TERMINAL CONTACT AREA PLATED 30μ" GOLD
47379-1010	TERMINAL CONTACT AREA PLATED 15μ" GOLD
47379-0010	TERMINAL CONTACT AREA PLATED GOLD FLASH
PART NO.	DESCRIPTION



ALL DIMENSION REFER TO SHEET 2.

47379-2110	TERMINAL CONTACT AREA PLATED 30μ" GOLD
47379-1110	TERMINAL CONTACT AREA PLATED 15μ" GOLD
47379-0110	TERMINAL CONTACT AREA PLATED GOLD FLASH
PART NO.	DESCRIPTION

REVISED EC NO: SH2007-0788 DRWG:GLL CHKD:JTIAN APPR:JNCHEN	2007/04/30 2007/05/04 2007/05/09	QUALITY SYMBOLS ▽=0 ◻=0	GENERAL TOLERANCES (UNLESS SPECIFIED) <table border="1"> <tr> <td></td> <td>mm</td> <td>INCH</td> </tr> <tr> <td>4 PLACES</td> <td>± ---</td> <td>± ---</td> </tr> <tr> <td>3 PLACES</td> <td>± ---</td> <td>± ---</td> </tr> <tr> <td>2 PLACES</td> <td>± 0.2</td> <td>± ---</td> </tr> <tr> <td>1 PLACE</td> <td>± 0.25</td> <td>± ---</td> </tr> <tr> <td colspan="3">ANGULAR ± 3 °</td> </tr> </table>		mm	INCH	4 PLACES	± ---	± ---	3 PLACES	± ---	± ---	2 PLACES	± 0.2	± ---	1 PLACE	± 0.25	± ---	ANGULAR ± 3 °			DIMENSION STYLE <b>MM ONLY</b> DRAWN BY: DIXON LI DATE: 2005/12/23 CHECKED BY: JENNY ZENG DATE: 2005/12/23 APPROVED BY: GRATE MA DATE: 2005/12/23 MATERIAL NO.	SCALE <b>1:1</b> DESIGN UNITS <b>METRIC</b> THIRD ANGLE PROJECTION	TITLE <b>EXTERNAL SATA PLUG                  SMT WITH SHELL                  TOP MOUNT TYPE</b> MOLEX INCORPORATED DOCUMENT NO.	SHEET NO. <b>3 OF 3</b>
				mm	INCH																				
	4 PLACES			± ---	± ---																				
	3 PLACES			± ---	± ---																				
2 PLACES	± 0.2	± ---																							
1 PLACE	± 0.25	± ---																							
ANGULAR ± 3 °																									
D	REV	DESCRIPTION	DRAFT WHERE APPLICABLE MUST REMAIN WITHIN DIMENSIONS	SEE CHART	THIS DRAWING CONTAINS INFORMATION THAT IS PROPRIETARY TO MOLEX INCORPORATED AND SHOULD NOT BE USED WITHOUT WRITTEN PERMISSION																				
						SIZE	A3																		
						SD-47379-100																			

9 8 7 6 5 4 3 2 1