



Chipsmall Limited consists of a professional team with an average of over 10 year of expertise in the distribution of electronic components. Based in Hongkong, we have already established firm and mutual-benefit business relationships with customers from,Europe,America and south Asia,supplying obsolete and hard-to-find components to meet their specific needs.

With the principle of “Quality Parts,Customers Priority,Honest Operation,and Considerate Service”,our business mainly focus on the distribution of electronic components. Line cards we deal with include Microchip,ALPS,ROHM,Xilinx,Pulse,ON,Everlight and Freescale. Main products comprise IC,Modules,Potentiometer,IC Socket,Relay,Connector.Our parts cover such applications as commercial,industrial, and automotives areas.

We are looking forward to setting up business relationship with you and hope to provide you with the best service and solution. Let us make a better world for our industry!



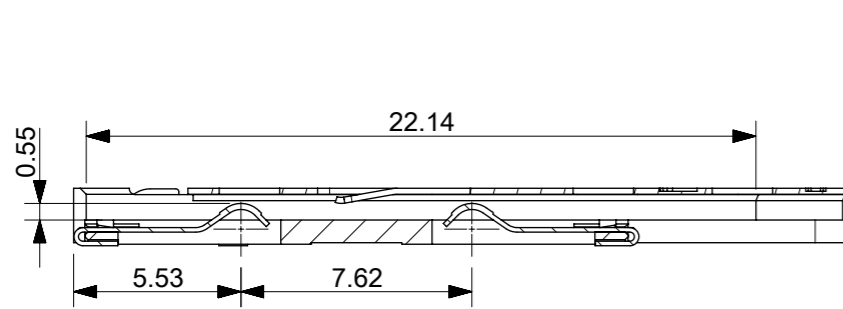
Contact us

Tel: +86-755-8981 8866 Fax: +86-755-8427 6832

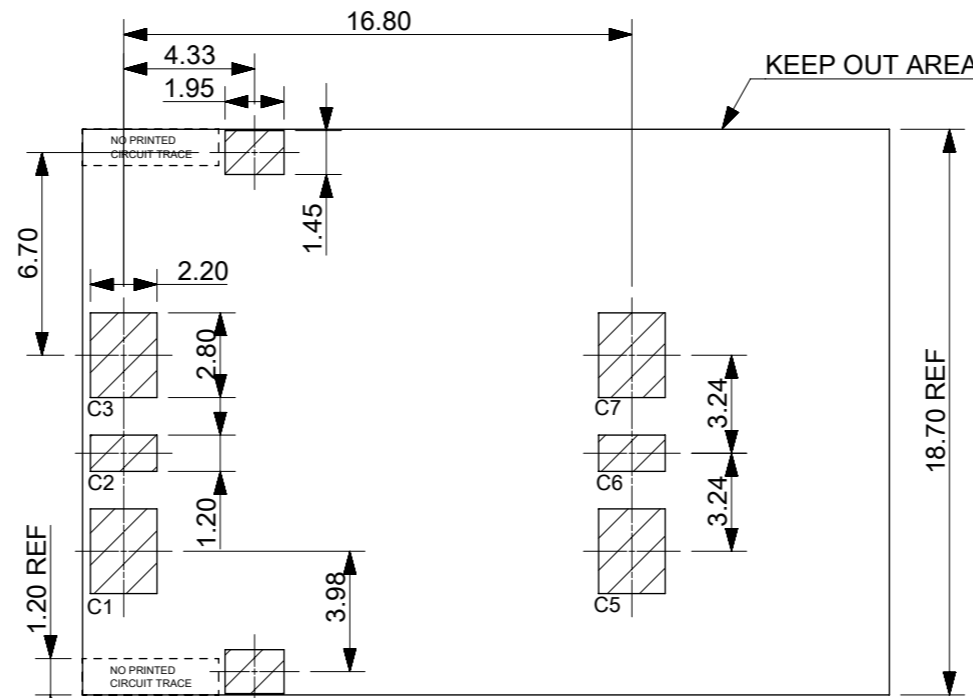
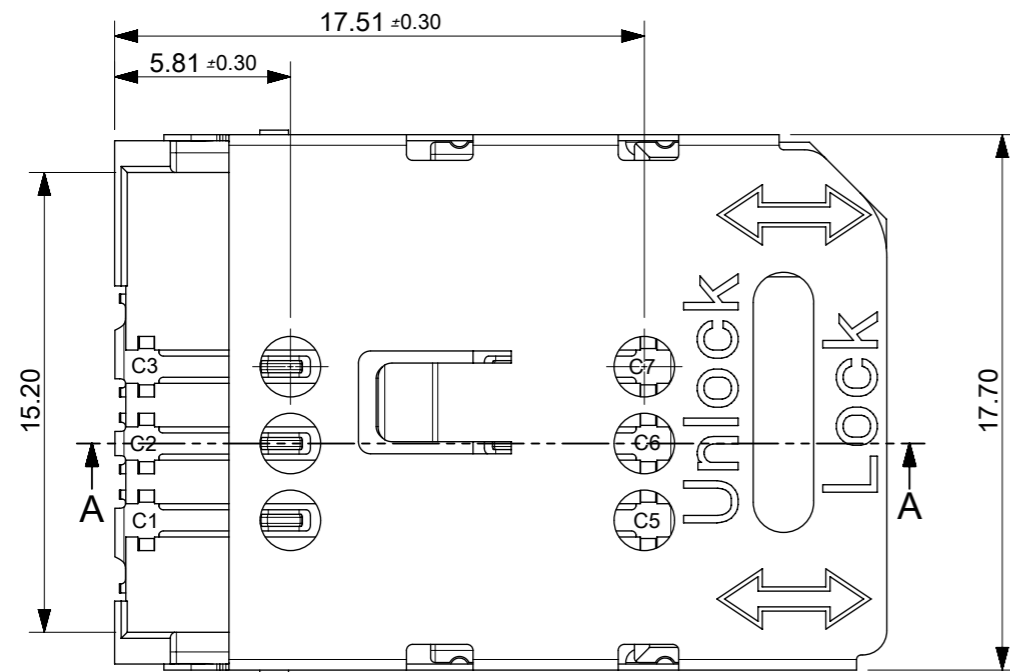
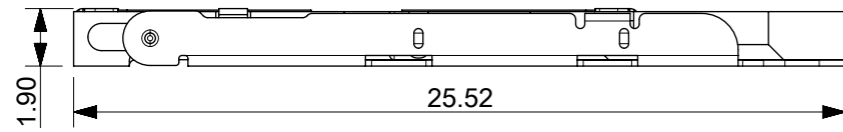
Email & Skype: info@chipsmall.com Web: www.chipsmall.com

Address: A1208, Overseas Decoration Building, #122 Zhenhua RD., Futian, Shenzhen, China

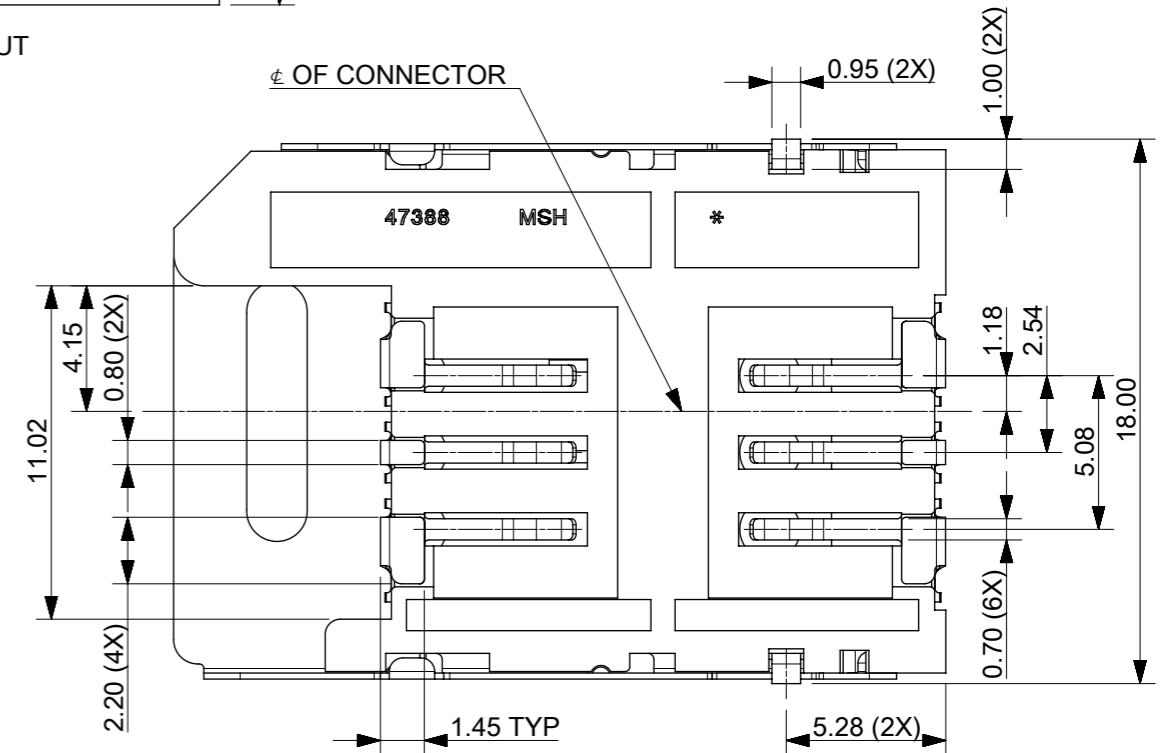
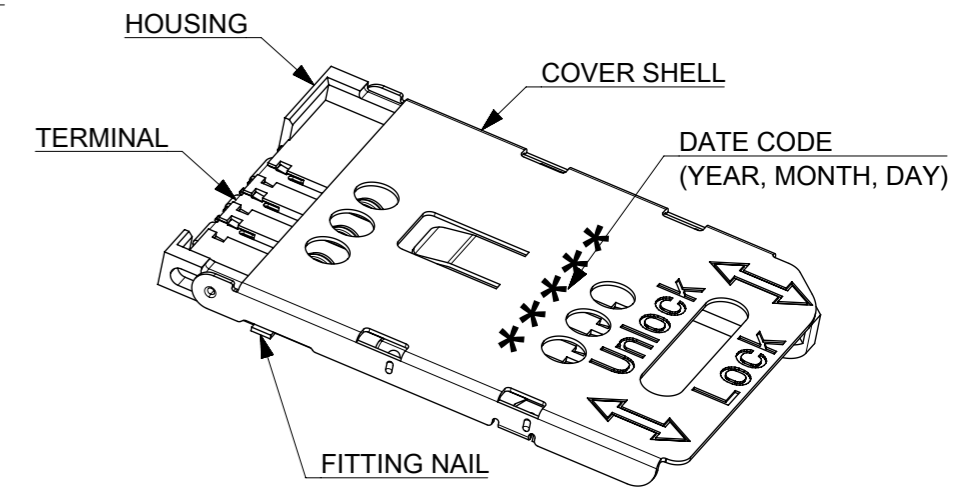
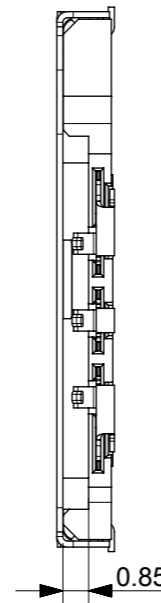




SECTION A-A



RECOMMENDED PCB LAYOUT
TOLERANCE: ±0.05mm



NOTES:

1. MATERIALS:

- HOUSING: LCP, GLASS FILLED, UL 94V-0, COLOR: BLACK.
- TERMINAL: PHOSPHOR BRONZE, THICKNESS: 0.15mm.
- COVER SHELL: STAINLESS STEEL, THICKNESS: 0.20mm.
- FITTING NAIL: BRASS, THICKNESS: 0.20mm.

2. FINISH:

- TERMINAL: CONTACT AREA: 0.75MICRON MIN GOLD PLATE OVER 1.27MICRON MIN NICKEL. SOLDER AREA: 3.8MICRON MIN TIN PLATE OVER 1.27MICRON MIN NICKEL.
- FITTING NAIL: 2.54MICRON MIN TIN OVER 1.27MICRO MIN NICKEL OVERALL.

3. COPLANARITY: 0.10mm MAX AMONG ALL SOLDER TAILS.

4. PRODUCT SPECIFICATION: PS-47388-001.

5. PACKAGING SPECIFICATION: PK-47388-001.

THIS DRAWING CONTAINS INFORMATION THAT IS PROPRIETARY TO MOLEX ELECTRONIC TECHNOLOGIES, LLC AND SHOULD NOT BE USED WITHOUT WRITTEN PERMISSION

REDESIGN ROLL PIN	EC NO: 116683	2016/11/03	GENERAL TOLERANCES (UNLESS SPECIFIED)	DIMENSION UNITS	SCALE	
	DRWN: KP SI	2016/11/02	ANGULAR TOL ± 3.0 °	MM	NTS	
	CHK'D: XQZHANG	2017/05/26	4 PLACES ±	DRWN BY	DATE	
	APPR: AYIN		3 PLACES ±	YWANG	2006/01/04	
			2 PLACES ± 0.25	CHK'D BY	DATE	SALES DRAWING FOR 1.90MM SIM CARD READER CONNECTOR
			1 PLACE ± 0.25	XIXU	2006/08/02	
			0 PLACES ±	JNCHEN	2006/08/03	
			DRAFT WHERE APPLICABLE MUST REMAIN WITHIN DIMENSIONS	DRAWING SIZE	THIRD ANGLE PROJECTION	PRODUCT CUSTOMER DRAWING
				A3		SERIES: 47388
						MATERIAL NUMBER: 473880001
						CUSTOMER: GENERAL MARKET
						DOCUMENT NUMBER: SD-47388-001
						DOC TYPE: PSD
						DOC PART: 000
						SHEET NUMBER: 1 OF 1

RELEASE STATUS	RELEASE DATE
----------------	--------------