



Chipsmall Limited consists of a professional team with an average of over 10 year of expertise in the distribution of electronic components. Based in Hongkong, we have already established firm and mutual-benefit business relationships with customers from,Europe,America and south Asia,supplying obsolete and hard-to-find components to meet their specific needs.

With the principle of “Quality Parts,Customers Priority,Honest Operation,and Considerate Service”,our business mainly focus on the distribution of electronic components. Line cards we deal with include Microchip,ALPS,ROHM,Xilinx,Pulse,ON,Everlight and Freescale. Main products comprise IC,Modules,Potentiometer,IC Socket,Relay,Connector.Our parts cover such applications as commercial,industrial, and automotives areas.

We are looking forward to setting up business relationship with you and hope to provide you with the best service and solution. Let us make a better world for our industry!



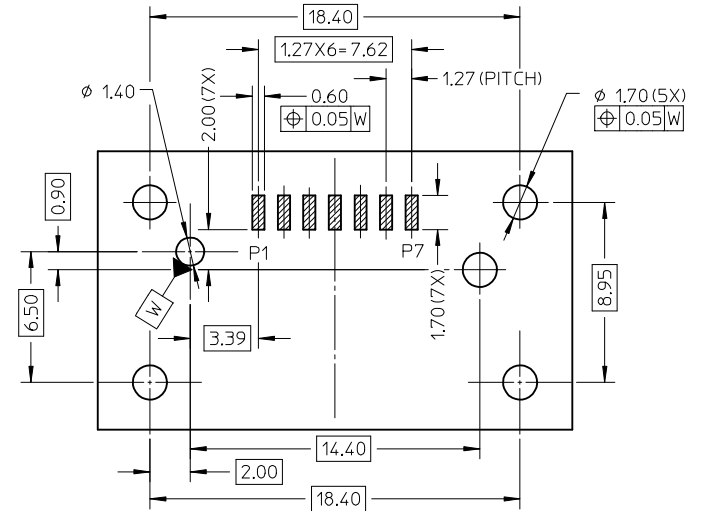
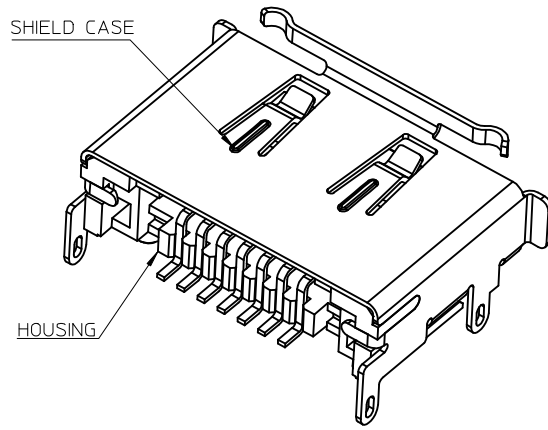
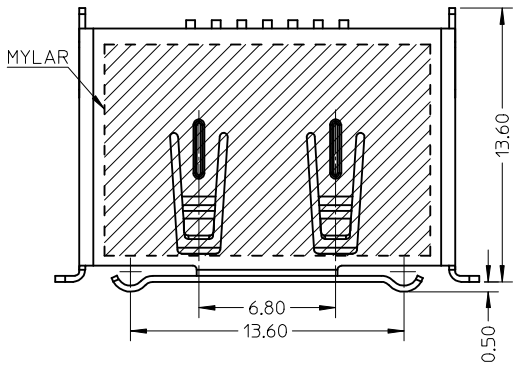
Contact us

Tel: +86-755-8981 8866 Fax: +86-755-8427 6832

Email & Skype: info@chipsmall.com Web: www.chipsmall.com

Address: A1208, Overseas Decoration Building, #122 Zhenhua RD., Futian, Shenzhen, China

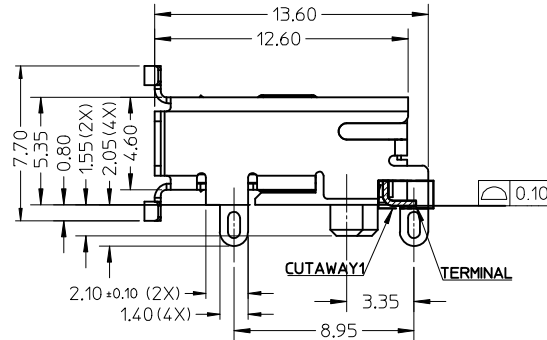
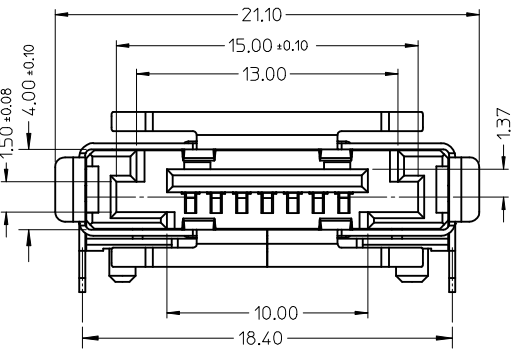




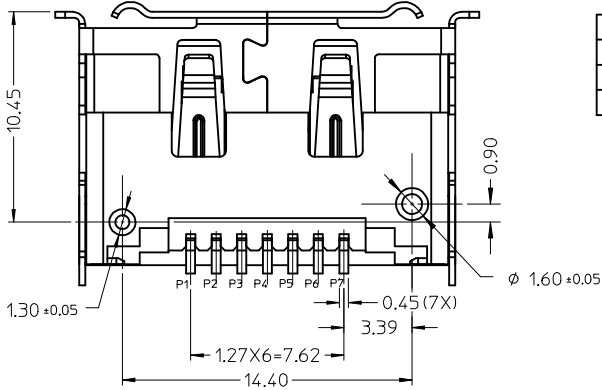
RECOMMEND PCB LAYOUT(CONNECTOR SIDE)
THICKNESS=1.30(ALL TOLERANCE: +/-0.05)

NOTES:

- MATERIAL:
HOUSING: PA6T,COLOR: BLACK, UL94V-0.
SHIELD CASE: COPPER ALLOY.
TERMIANL: COPPER ALLOY.
- PLATING:
SHIELD CASE: 100~200μ SOLDERABLE NICKEL OVER ALL.
TERMINAL: CONTACT AREA GOLD PLATING(SEE CHART) AND SOLDER TAIL 50~100μ TIN ALLOY PLATING OVER 50μ MIN. NICKEL.
- PRODUCT SPEC REFER TO PS-47082-001.
- PACKAGE SPEC REFER TO PK-47379-001.
- PRODUCT MEET STANDARD 1.0 REVISION OF THE SERIAL ATA II: CABLE AND CONNECTOR VOL 2 SPECIFICATION.
- PRODUCT COMPLIANT TO RoHS 2002/95/EC AND ELV 2000/53/EC.



47391-2000	TERMINAL CONTACT AREA PLATED 30μ GOLD
47391-1000	TERMINAL CONTACT AREA PLATED 15μ GOLD
47391-0000	TERMINAL CONTACT AREA PLATED GOLD FLASH
PART NO.	DESCRIPTION



REVISED EC NO: 2007/04/30 DRWNG:GLL 2007/05/04 CHKD: 2007/05/04 APPR: JINCHEN 2007/05/09	QUALITY SYMBOLS ▽=0 ▽=0	GENERAL TOLERANCES (UNLESS SPECIFIED) mm INCH 4 PLACES ± --- ± --- 3 PLACES ± --- ± --- 2 PLACES ± 0.2 ± --- 1 PLACE ± 0.25 ± --- ANGULAR ± 3 °	DIMENSION STYLE MM ONLY	SCALE 4:1	DESIGN UNITS METRIC	THIRD ANGLE PROJECTION	
	DRAFT WHERE APPLICABLE MUST REMAIN WITHIN DIMENSIONS	DRAWN BY: DIXON LI CHECKED BY: JENNY ZENG APPROVED BY: GRATE MA	DATE: 2006/11/16 DATE: 2006/11/16 DATE: 2006/11/16	TITLE: EXTERNAL SATA PLUG SMT WITH SHELL BOTTOM MOUNT TYPE	MOLEX INCORPORATED	SHEET NO. 1 OF 1	
	SEE CHART	MATERIAL NO.	DOCUMENT NO. SD-47391-100				
	SIZE A3	THIS DRAWING CONTAINS INFORMATION THAT IS PROPRIETARY TO MOLEX INCORPORATED AND SHOULD NOT BE USED WITHOUT WRITTEN PERMISSION					